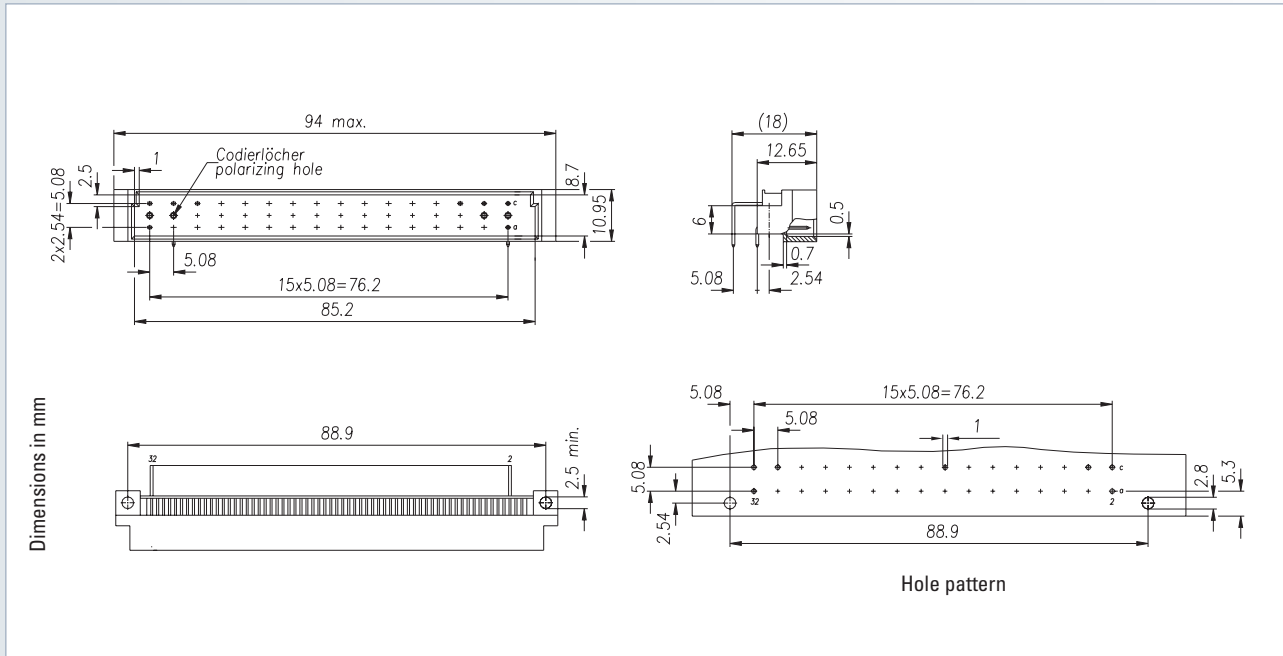
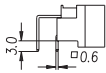
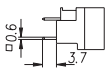
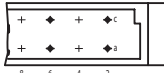



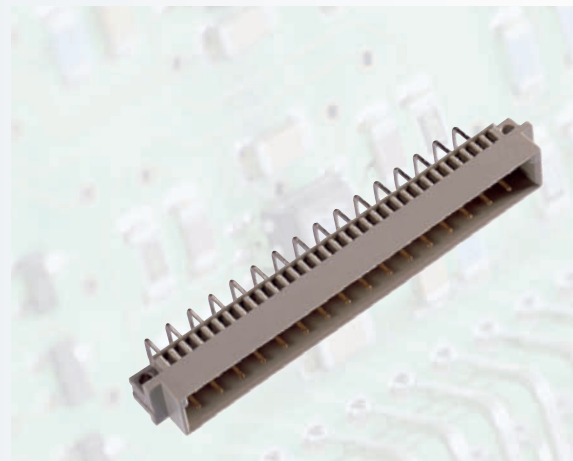
Connectors according to DIN 41612 / IEC 60603-2

Type D

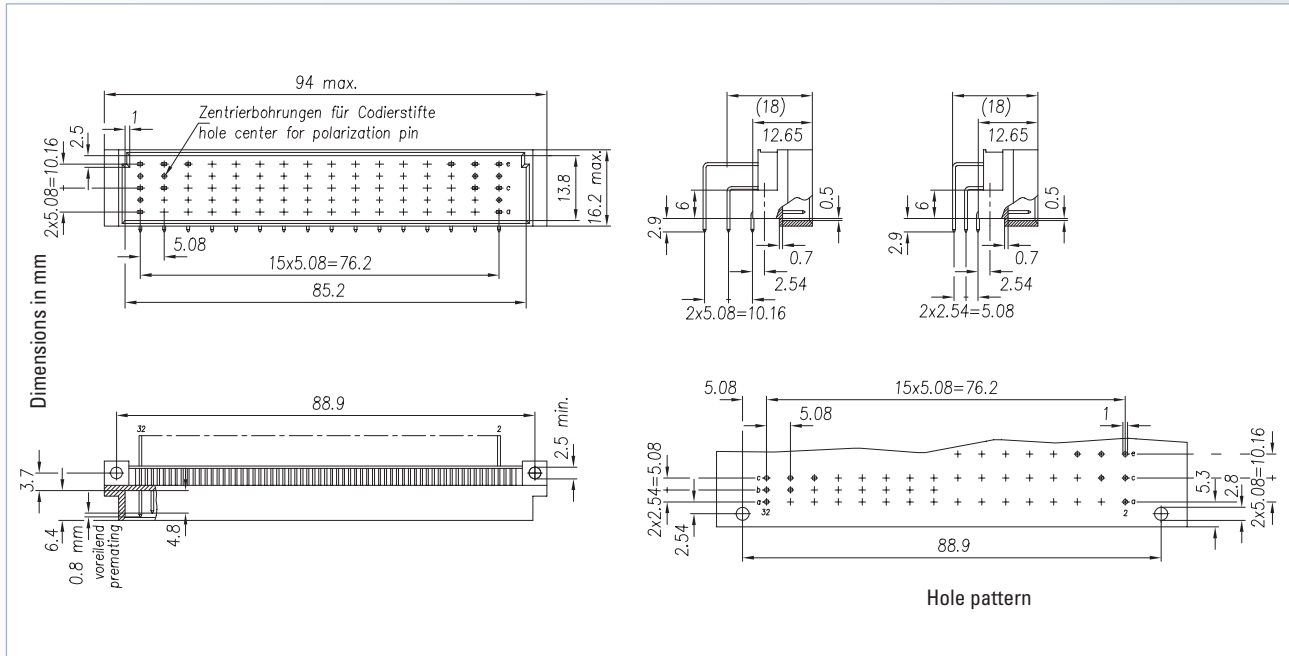
Male connector



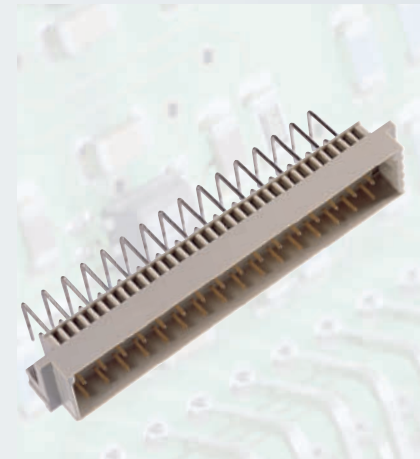
No. of contacts	Contact arrangement	Solder technology – Performance level II	
		Termination length	
			
Part number			
16		105-40014	105-40016
32		105-40064	105-40066



Accessories – Coding accessories (see page 160)	On request – Performance levels I + III or customer-specific – Special contact length – Also in THTR	Options – Board lock (see page 159) – Contact arrangement (see page 162)
---	--	---



No. of contacts	Contact arrangement	Solder technology – Performance level II		
		Termination length		
Part number				
32		107-40024	107-40025	107-40026
32		107-40014	107-40015	107-40016
48		107-40064	107-40065	107-40066



Accessories	On request	Options
<ul style="list-style-type: none"> – Coding accessories (see page 160) 	<ul style="list-style-type: none"> – Performance levels I + III or customer-specific – Special contact length – Also in THTR 	<ul style="list-style-type: none"> – Board lock (see page 159) – Contact arrangement (see page 162)