

# Spacial 3D steel enclosure universal enclosure

## technical characteristics

- Three enclosure versions are proposed:
  - with plain door,
  - with plain door, fitted with plain galvanised chassis.
  - with glazed door, safety glass thickness 4 mm.
- Textured polyester powder paint finish, colour grey RAL 7032.
- Degree of protection IP 66 for all single door enclosures, IP 55 for double door enclosures.
- External mechanical impact resistance:
  - IK 10 for enclosures with plain door,
  - IK 08 for enclosures with glazed door.
- One-piece folded and welded body, double plate thickness gutter shaped front profile. Flat rear panel.
- Perforated rails on door, drilled diameter 4.2 on 25 mm pitch:
  - 2 vertical rails from height 500 mm,
  - 2 vertical rails and 2 horizontal rails from width 800 mm.
- Door easily removable and reversible with double thickness 20 mm return fold for excellent rigidity, 120° opening, 2 or 3 concealed hinges. 3 closure points from height 600 mm with single operating point. Simple reversal of linkage. Maximum loading: 50 kg/m<sup>2</sup>.
- Enclosure supplied as standard with 3 mm double bar lock. The handle supplied has two functions:
  - as operating key,
  - as tool for removal of stud protective caps.
- Polyurethane door seal.
- M6 x 16 earthing screw for equipotential connection between enclosure door and body.
- Wall mounting direct (4 holes Ø 10) or using fixing lugs (to be ordered separately, see page 80).
- 4 shouldered backstuds M8 x 25 for mounting of chassis and step slides, leaving 10 mm clearance from rear panel.
- Cable gland plate with grid pattern to facilitate drilling and assure maximum access.



Enclosure with plain galvanised chassis



Double bar lock

## certifications

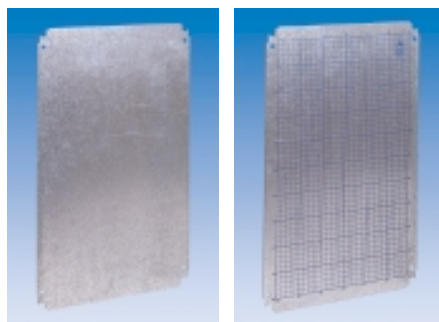
- EN 50298, LCIE (enclosures standard, page 538/2), UL, CSA: pending.

## special versions

- These enclosures can be supplied on request with:
    - alternative colours,
    - accessories premounted,
    - special machining,
    - other dimensions,
    - alternative finishes (zinc chromate, metallisation, etc.),
    - etc.
- See our customised service page 90.

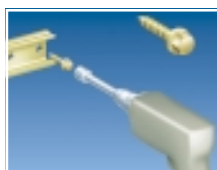
## plain chassis

- Galvanised sheet steel chassis available in 2 versions: standard or silkscreened to facilitate installation.
- Insulating material version available in heights 300 to 800 mm (consult your local Sarel sales office).
- Dimensions and permissible loads, see page 87.
- References marked \* can also be used for enclosures with reversed dimensions.
- Weights, see page 87.



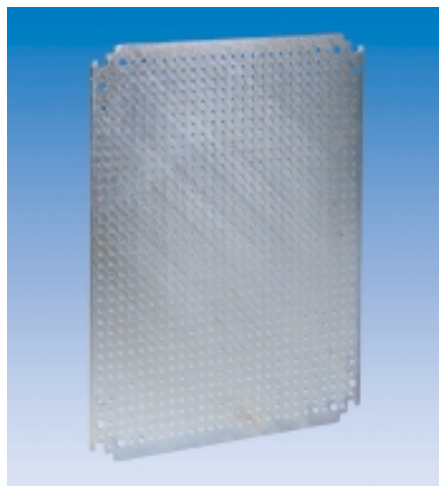
## self-piercing screws

- Hexagonal head, M4. 8 x 16 mm.
- Considerable savings in assembly time, no hole drilling or tapping required.



## microperforated chassis

- Galvanised sheet steel chassis with holes diameter 3.6 mm on 12.5 mm pitch.
- Dimensions and permissible loads, see page 87.
- References marked \* can also be used for enclosures with reversed dimensions.



## monobloc perforated plates (Telequick)

- Enable mounting of all equipment on the same surface without drilling or tapping.
- Sheet steel plates with universal perforations 11 x 26 mm. For direct mounting using clip-nuts of all 2, 3 or 4-point fixing equipment using screws diameter 3, 4, 5 or 6 mm.
- Dimensions, see page 87.



## clip-nuts

- Mounted on perforated plates by simple clip-in.
- Four versions available: M3, M4, M5 or M6.



New products: indicated by ✓

chassis reference		for enclosure	
standard	silkscreen	height	width
ENN55715	-	300	200
ENN55702	-	300	300
ENN55712*	ENN55362	300	400
ENN55705	-	300	600
ENN55719	ENN55369	400	400
ENN55726	ENN55376	400	600
ENN55721	ENN55371	500	300
ENN55723	ENN55373	500	400
ENN55725	ENN55375	500	500
ENN55726	ENN55376	600	400
ENN55729	ENN55379	600	600
ENN55735	ENN55385	700	500
ENN55756*	ENN55396	800	600
ENN55745	-	800	800
ENN55754	-	1000	600
ENN55760*	-	1000	800
ENN55763	-	1000	1000
ENN55764	-	1200	800
ENN55765*	-	1200	1000

self-piercing screw reference  
ENN21139

microperf. chassis reference	for enclosure height	width	weight (kg)
ENN50415 ✓	300	200	0.35
ENN50402 ✓	300	300	0.45
ENN50412* ✓	300	400	0.45
ENN50419 ✓	400	400	0.95
ENN50426 ✓	400	600	1.26
ENN50421 ✓	500	300	0.95
ENN50423 ✓	500	400	1.3
ENN50425 ✓	500	500	1.6
ENN50426 ✓	600	400	1.26
ENN50429 ✓	600	600	2.4
ENN50435 ✓	700	500	2.3
ENN50456* ✓	800	600	3.1
ENN50445 ✓	800	800	3.8
ENN50454 ✓	1000	600	3.8
ENN50460* ✓	1000	800	5.25
ENN50463 ✓	1000	1000	4.25
ENN50464 ✓	1200	800	6.75
ENN50465* ✓	1200	1000	8.7

plate reference	for encl. height	width	area dm <sup>2</sup>	weight (kg)
ENN55415	300	200	2,9	0.35
ENN55402	300	300	5,4	0.45
ENN55412	300	400	7,95	0.75
ENN55417	400	300	7,75	0.7
ENN55419	400	400	11,1	0.95
ENN55432	400	600	18	1.5
ENN55421	500	300	10,4	0.95
ENN55423	500	400	14,8	1.3
ENN55425	500	500	19,3	1.6
ENN55426	600	400	18,5	1.6
ENN55429	600	600	29,5	2.4
ENN55431	600	800	40,5	3.1
ENN55435	700	500	28	2.3
ENN55456	800	600	40,3	3.1
ENN55446	800	800	55,3	3.8
ENN55447	800	1000	70,4	5.25
ENN55454	1000	600	51	3.8
ENN55460	1000	800	70	5.25
ENN55463	1000	1000	89	4.25
ENN55461	1000	1200	108,5	8.7
ENN55464	1200	800	108	6.75
ENN55465	1200	1000	108,5	8.7

clip-nut reference for screw  
ENN21163 M3  
ENN21164 M4  
ENN21165 M5  
ENN21166 M6

# universal enclosure Spacial 3D steel enclosure

Accessories selection guide page 54  
 Dimensions page 86



external dimensions			no. of doors	universal enclosure reference					
height	width	depth		plain door			glazed door		
				without chassis	weight (kg)	with plain chassis	weight (kg)	without chassis	weight (kg)
300	200	150	1	ENN83015	3	ENN83315	3.5	-	-
		300	1	ENN83002	3.5	ENN83302	4.5	ENN83502	3.5
	400	1	ENN83003	4	ENN83303	5	ENN83503	4.5	
400	300	150	1	ENN83012	4.5	ENN83312	6	ENN83512	5
		200	1	ENN83017	4.5	ENN83317	6	ENN83517	4.5
	200	1	ENN83018	5	ENN83318	6.5	ENN83518	5.5	
	400	1	ENN83019	6.2	ENN83319	8	ENN83519	6.5	
	600	1	ENN83031	10	ENN83331	13	ENN83531	10.5	
	250	1	ENN83032	10.5	ENN83332	13.5	ENN83532	11	
500	300	200	1	ENN83021	7.5	ENN83321	9	ENN83521	8
		400	1	ENN83023	9	ENN83323	11.5	ENN83523	9.5
	250	1	ENN83024	10	ENN83324	12	ENN83524	10	
	500	1	ENN83022	10.5	ENN83322	13	ENN83522	10.5	
	250	1	ENN83025	11.5	ENN83325	14.5	ENN83525	12	
600	400	200	1	ENN83026	10.5	ENN83326	13.5	ENN83526	11
		250	1	ENN83027	11.5	ENN83327	14	ENN83527	12
	600	1	ENN83028	14	ENN83328	18	ENN83528	14	
	250	1	ENN83029	15	ENN83329	19.5	ENN83529	15.5	
	300	1	ENN83030	16.5	ENN83330	21	ENN83530	16.5	
	400	1	ENN83039	18.5	ENN83339	23	ENN83539	19	
	800	1	ENN83037	25	ENN83337	30.5	ENN83537	25	
700	500	250	1	ENN83035	15	ENN83335	19.5	ENN83535	15.5
800	600	200	1	ENN83043	21.5	ENN83343	27.5	ENN83543	21.5
		250	1	ENN83056	23.5	ENN83356	29	ENN83556	23.5
	300	1	ENN83057	25	ENN83357	31	ENN83557	25	
	400	1	ENN83044	28.5	ENN83344	34.5	ENN83544	29	
	800	1	ENN83045	28.5	ENN83345	39.8	ENN83545	29	
	300	1	ENN83046	30.8	ENN83346	41.8	ENN83546	31	
	1000	1	ENN83047	36.5	ENN83347	50.5	-	-	
	300	1	ENN83054	28	ENN83354	38.5	ENN83554	28.5	
1000	600	400	1	ENN83059	39	ENN83359	44	ENN83559	34
		250	1	ENN83060	34.5	ENN83360	48.5	ENN83560	34.5
	300	1	ENN83061	36.5	ENN83361	50.5	ENN83561	36	
	400	1	ENN83062	41	ENN83362	55	ENN83562	41	
	1000	1	ENN83070	43.5	ENN83370	65	ENN83570	43	
	300	2*	ENN83063	44.5	ENN83363	66	ENN83563	44	
	1200	300	2*	ENN83066	52	ENN83366	77.5	-	-
1200	800	300	1	ENN83064	43	ENN83364	63	ENN83564	42
		400	1	ENN83067	47.5	ENN83367	68	ENN83567	47
	1000	1	ENN83071	50.5	ENN83371	76	ENN83571	50	
	300	2*	ENN83065	52	ENN83365	77.5	ENN83565	51	

\* 2 door enclosures are protection IP 55.

**customized offer**



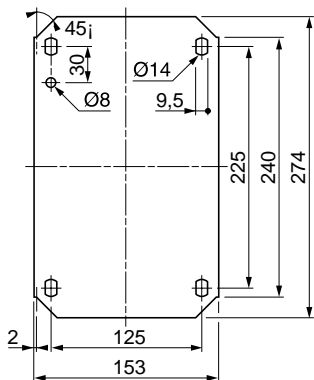
page 90

**specific offer**

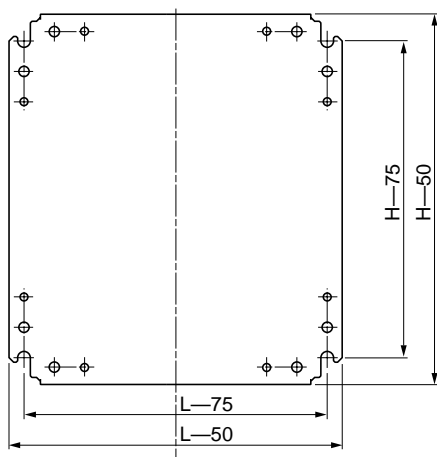


page 92

## plain and microperforated chassis

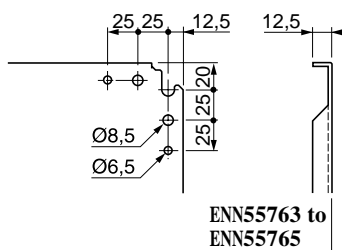


ENN55715

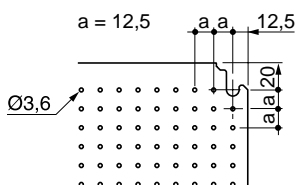


ENN55702 to ENN55765 and ENN55415 to ENN55465

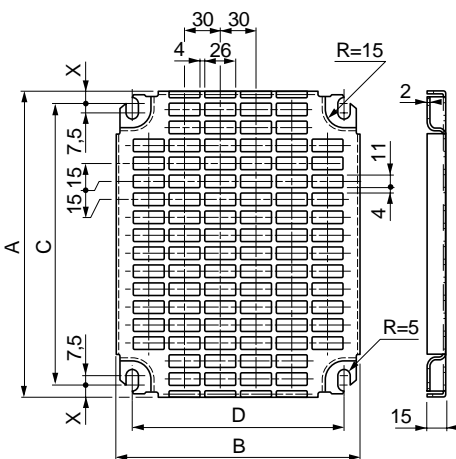
plain chassis reference	height mm	width mm	area dm <sup>2</sup>	perm. load kg	weight kg
ENN55715	250	150	3.75	60	0.5
ENN55702	250	250	6.25	60	0.9
ENN55712	350	250	8.75	60	1.3
ENN55719	350	350	12.25	60	1.8
ENN55726	350	550	19.25	90	2.8
ENN55721	450	250	11.25	60	1.6
ENN55723	450	350	15.75	90	2.3
ENN55725	450	450	20.25	90	2.9
ENN55726	550	350	19.25	90	2.8
ENN55729	550	550	30.25	135	4.4
ENN55735	650	450	29.25	135	4.3
ENN55756	750	550	41.25	135	6
ENN55745	750	750	56.25	150	11
ENN55754	950	550	52.25	150	10.3
ENN55760	950	750	71.25	150	14
ENN55763	950	950	90.25	180	21.3
ENN55764	1150	750	86.25	180	20.3
ENN55765	1150	950	109.25	180	25.7



ENN55763 to ENN55765

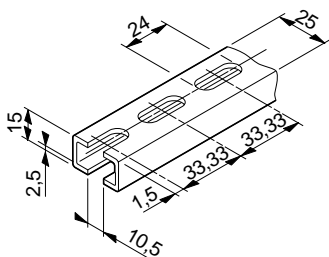


## monobloc perforated plate (Telequick)

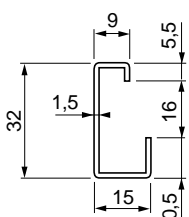


chassis reference	for enclosure		dimensions					no. of holes on	
	height	width	A	B	C	D	X	height	width
ENN55415	300	200	255	153.7	231.3	125	11.85	16	5
ENN55402	300	300	255	251	231.3	225	11.85	16	9
ENN55412	300	400	255	351	235	325	10	18	11
ENN55417	400	300	348.7	251	325	225	11.85	22	9
ENN55419	400	400	345	351	325	325	10	24	11
ENN55432	400	600	345	551	325	525	10	24	19
ENN55421	500	300	453.7	251	430	225	12	29	9
ENN55423	500	400	450	351	430	325	10	31	11
ENN55425	500	500	450	451	430	425	10	31	14
ENN55426	600	400	555	351	530	325	12.5	38	11
ENN55429	600	600	555	551	535	525	10	38	17
ENN55431	600	800	551	750	531	724	10	36	24
ENN55435	700	500	645	451	625	425	10	44	14
ENN55456	800	600	750	551	730	525	10	51	17
ENN55446	800	800	750	751	730	725	10	51	24
ENN55447	800	1000	751	951	731	925	10	49	31
ENN55454	1000	600	945	551	925	525	10	64	17
ENN55460	1000	800	945	751	925	725	10	64	24
ENN55461	1000	1200	951	1151	931	1125	10	62	37
ENN55463	1000	1000	945	951	925	925	10	62	31
ENN55464	1200	800	1145	751	1125	725	10	75	24
ENN55465	1200	1000	1145	951	1125	925	10	75	31

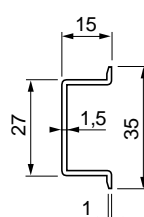
## vertical and cross rail profiles



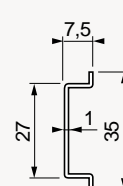
aluminium vertical rail



asymmetrical cross rail

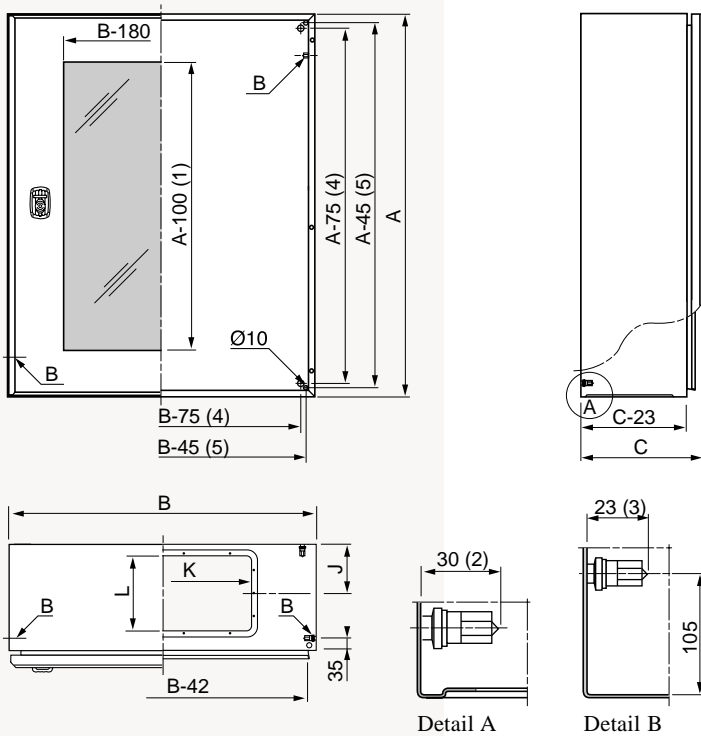


symmetrical cross rail type A

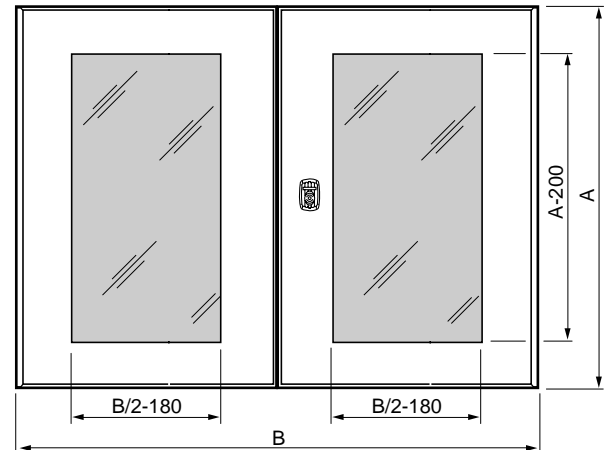


symmetrical cross rail type B

## 1 door enclosure

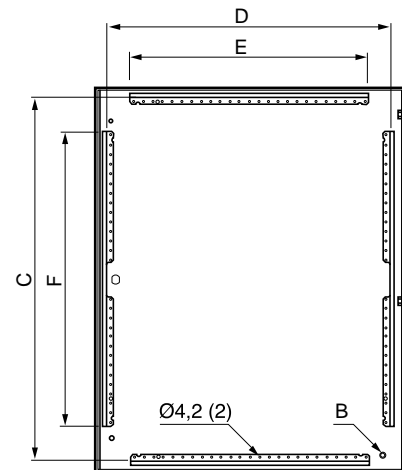


## 2 door enclosure



A: enclosure height  
B: enclosure width  
C: enclosure depth

## door perforated rails (1)



(1) Glazed doors are fitted with one vertical cable guide only, on the hinge side.  
(2) 25 mm pitch.

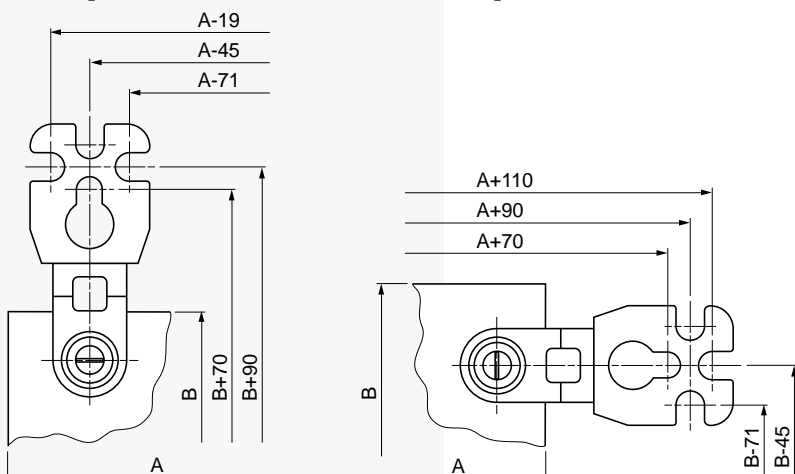
enclosure		cable gland plate					base
width	depth	dimensions	no.	J	K	L	
200-250	150-200	140 x 80	1	57	115	55	-
300-400-500	150	245 x 80	1	57	220	55	-
300	200	245 x 130	1	80	220	105	-
400	200-250	345 x 130	1	80	320	105	-
500	200-250	445 x 130	1	80	420	105	-
600	150	245 x 80	1	57	220	55	-
600	200-250	545 x 130	1	80	520	105	-
600	300-400	495 x 220	1	126 (6)	470	195	-
700	300	495 x 220	1	126	470	195	-
800	300	345 x 130	2	80	320	105	400
800	250-300-400	345 x 135	2	95	320	105	400
1000	300	445 x 130	2	95	420	105	500
1200	300	445 x 130	2	95	420	105	600

- (1) A-200 from height 800 mm.
- (2) 4 backstuds M8 x 25.
- (3) 2 earthing studs M6 x 17,5.
- (4) Stud centres.
- (5) Direct mounting fixing centres.
- (6) Except enclosure 1000 x 600 x 400, J = 140 mm.

## fixing centres with lugs (M8 screw)

vertical position

horizontal position



enclosure (3)	height	width	door perforated rails			
			vertical	F	D	E
500	300	370	237	-	-	-
500	400	370	337	-	-	-
500	500	370	437	-	-	-
600	400	370	337	-	-	-
600	600	370	537	-	-	-
600	800	370	737	-	-	-
700	500	470	437	-	-	-
700	600	470	537	-	-	-
800	600	570	537	-	-	-
800	800	570	737	620	749	-
800	1000	570	937	820	749	-
900	700	670	637	520	849	-
1000	600	770	537	420	949	-
1000	800	770	737	620	949	-
1000	1000	770	937	820	949	-
1000	1200	770	1137	1020	949	-
1200	800	970	737	620	1149	-
1200	1000	970	937	820	1149	-
1200	1200	970	1137	1020	1149	-

(3) Doors of enclosures of dimensions less than 600 x 800 are not fitted with cable guide.