

6

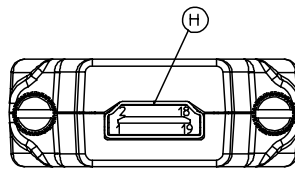
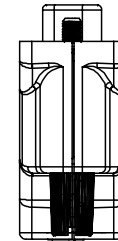
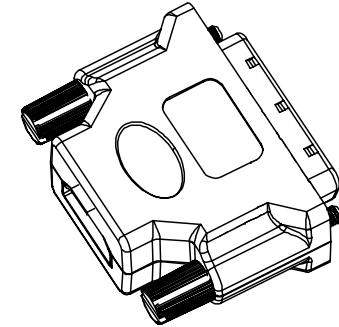
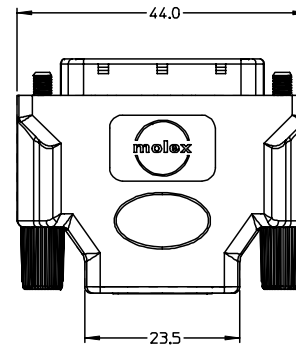
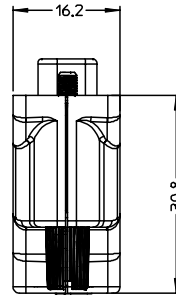
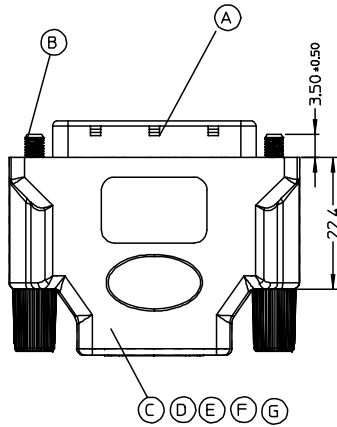
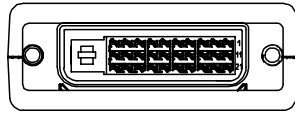
5

4

3

2

1



NOTES:

1. DIELECTRIC STRENGTH: 300V AC FOR 10MS
2. INSULATION RESISTANCE: 10M OHM(MIN.)
3. CONTACT RESISTANCE: 2 OHM Max.
4. PCB IMPEDANCE: 100±10 OHM
5. ABS COVER MOLDED WITH 887800141 WHITE RESIN.

ITEM	DESCRIPTION	USAGE
H	HDMI RECEPTACLE	1
G	4-LAY PCB	1
F	BOTTOM METAL CAN	1
E	TOP METAL CAN	1
D	ABS BOTTOM COVER	1
C	ABS TOP COVER	1
B	4-40 UNC JACKSCREW	2
A	R/A P&D CONN.	1

EC NO.	DRWN: CHK: APPR:	DESCRIPTION	QUALITY SYMBOLS		GENERAL TOLERANCES: (UNLESS SPECIFIED)		SCALE	DESIGN UNITS	THIRD ANGLE PROJECTION	SHT		REV		
			MAJOR	CRITICAL	mm	INCH	N.S.T	<input checked="" type="checkbox"/> mm <input type="checkbox"/> INCH		<input type="checkbox"/> mm <input type="checkbox"/> INCH	<input checked="" type="checkbox"/> mm ONLY	REVISE ON CAD ONLY		
A	REV		MAJOR											
			CRITICAL	▽ = 0										
				▽ = 0										
					ANGULAR: °		DRAWN BY & DATE ANDY 04/04/01		TITLE: HDMI(F) TO P&D(M) ADAPTER					
							CHECKED BY & DATE Teddy 04/04/01		MOLEX INCORPORATED					
							APPROVED BY & DATE Boran 04/04/01		CAD FILENAME J6459-00.MI		MATERIAL NO. 88764-5900	DRAWING NO. RSD-88764-006	SHEET NO. 1 OF 2	
							THIS DRAWING CONTAINS INFORMATION THAT IS PROPRIETARY TO MOLEX INCORPORATED AND SHOULD NOT BE USED WITHOUT WRITTEN PERMISSION.		SIZE A4					

6

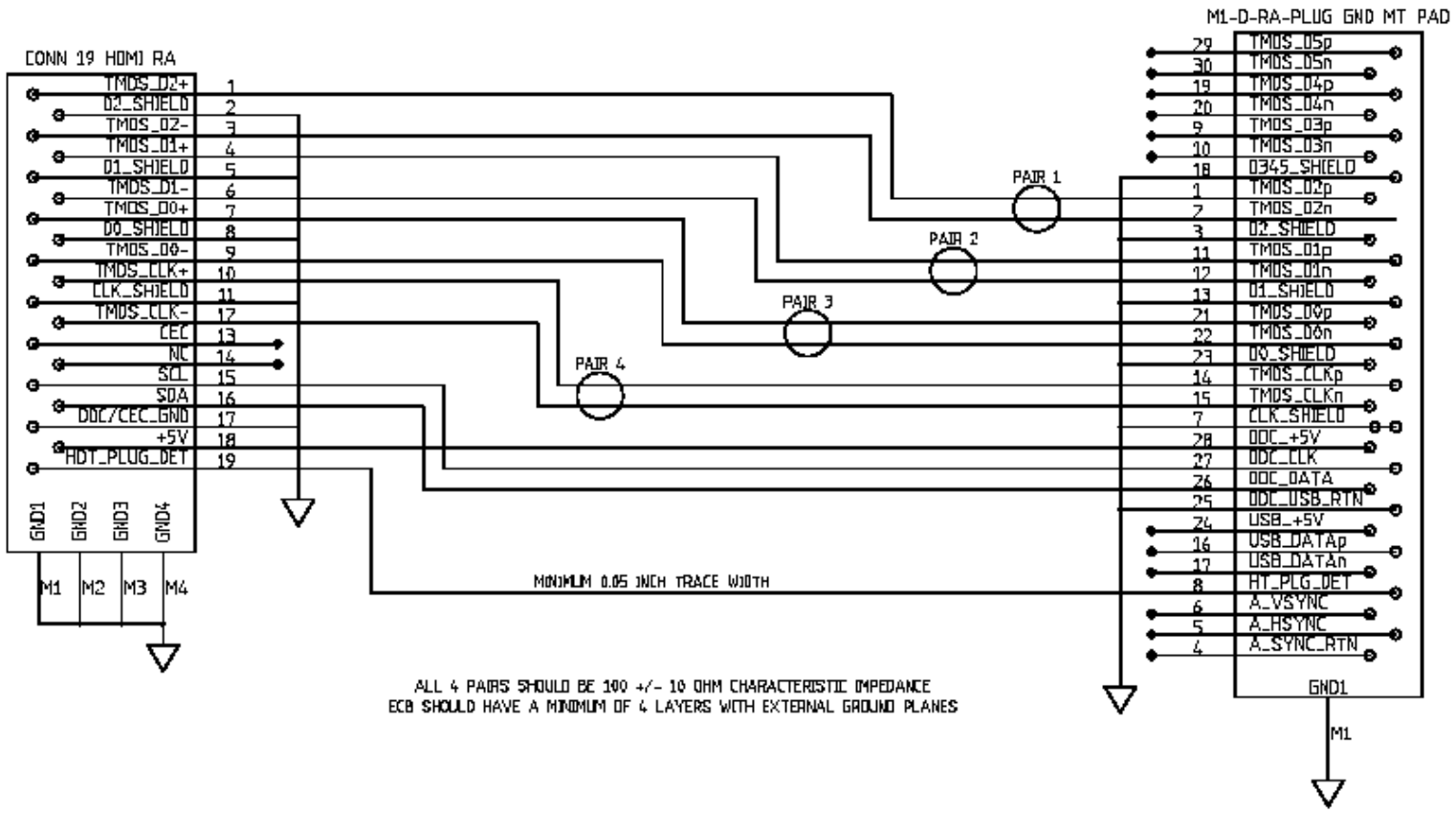
5

4

3

2

1



ALL 4 PAIRS SHOULD BE 100 +/- 10 OHM CHARACTERISTIC IMPEDANCE
 ECB SHOULD HAVE A MINIMUM OF 4 LAYERS WITH EXTERNAL GROUND PLANES

EC NO. A	DRWN: CHK: APPR:	DESCRIPTION REV	QUALITY SYMBOLS	GENERAL TOLERANCES: (UNLESS SPECIFIED)		SCALE N.S.T	DESIGN UNITS <input checked="" type="checkbox"/> mm <input type="checkbox"/> INCH	THIRD ANGLE PROJECTION	<input type="checkbox"/> mm <input type="checkbox"/> INCH	<input checked="" type="checkbox"/> mm ONLY	SHT	REV	
			MAJOR ▼ = 0	mm	INCH	DRAWN BY & DATE ANDY 04/04/01		TITLE: HDMI(F) TO P&D(M) ADAPTOR		REVISE ON CAD ONLY			
			CRITICAL ▽ = 0	ANGULAR: °		CHECKED BY & DATE Teddy 04/04/01		APPROVED BY & DATE Boran 04/04/01		MOLEX INCORPORATED		SHEET NO. 2 OF 2	
						CAD FILENAME J6459-00.MI	MATERIAL NO. 88764-5900	DRAWING NO. RSD-88764-006	SIZE A4				

7 6 5 4 3 2 1

E

E

D

D

C

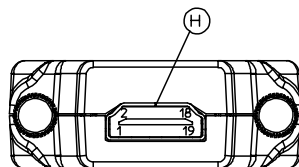
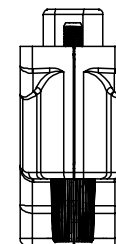
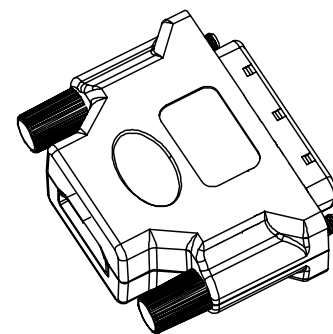
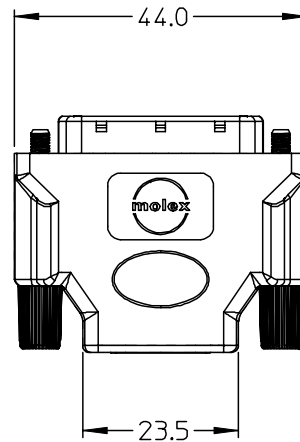
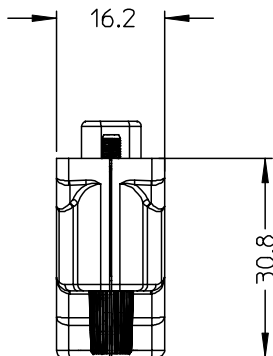
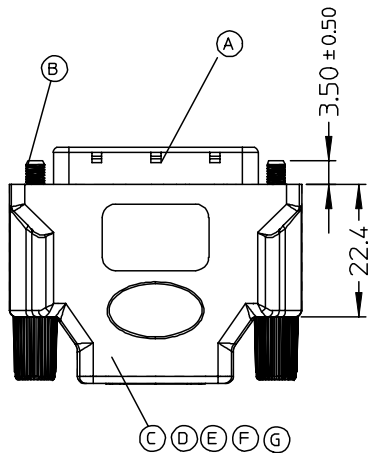
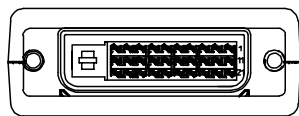
C

B

B

A

A



NOTES:

1. DIELECTRIC STRENGTH: 300V AC FOR 10MS
2. INSULATION RESISTANCE: 10M OHM(MIN.)
3. CONTACT RESISTANCE: 2 OHM Max.
4. PCB IMPEDANCE: 100±10 OHM
5. ABS COVER MOLDED WITH 887800141 WHITE RESIN.
6. THIS PRODUCT MEET ROHS COMPLIANCE

ITEM	DESCRIPTION	USAGE
H	HDMI RECEPTACLE	1
G	4-LAY PCB	1
F	BOTTOM METAL CAN	1
E	TOP METAL CAN	1
D	ABS BOTTOM COVER	1
C	ABS TOP COVER	1
B	4-40 UNC JACKSCREW	2
A	R/A P&D CONN.	1

ENTER DESCRIPTION EC NO: DG2006-0175 DRWN: JFZHENG 2006/02/18 CHKD: JFZHENG 2006/02/20 APPR: DQLUO 2006/02/20	QUALITY SYMBOLS ▽=0 ◻=0	GENERAL TOLERANCES (UNLESS SPECIFIED)		DIMENSION STYLE MM ONLY		SCALE ---	DESIGN UNITS METRIC	THIRD ANGLE PROJECTION		
			mm	INCH	DRAWN BY JFZHENG	DATE 2006/02/18	TITLE HDMI(F) TO P&D ADAPTER			
		4 PLACES	±---	±---	CHECKED BY JFZHENG	DATE 2006/02/18	MOLEX INCORPORATED ENTER PART SD-88764-590			
		3 PLACES	±---	±---	APPROVED BY DQLUO	DATE 2006/02/18				
			ANGULAR ±---°		MATERIAL NO.	DOCUMENT NO.	SHEET NO.			
		DRAFT WHERE APPLICABLE MUST REMAIN WITHIN DIMENSIONS		SIZE A 4	THIS DRAWING CONTAINS INFORMATION THAT IS PROPRIETARY TO MOLEX INCORPORATED AND SHOULD NOT BE USED WITHOUT WRITTEN PERMISSION					

6

5

4

3

2

1

7 6 5 4 3 2 1

E

E

D

D

C

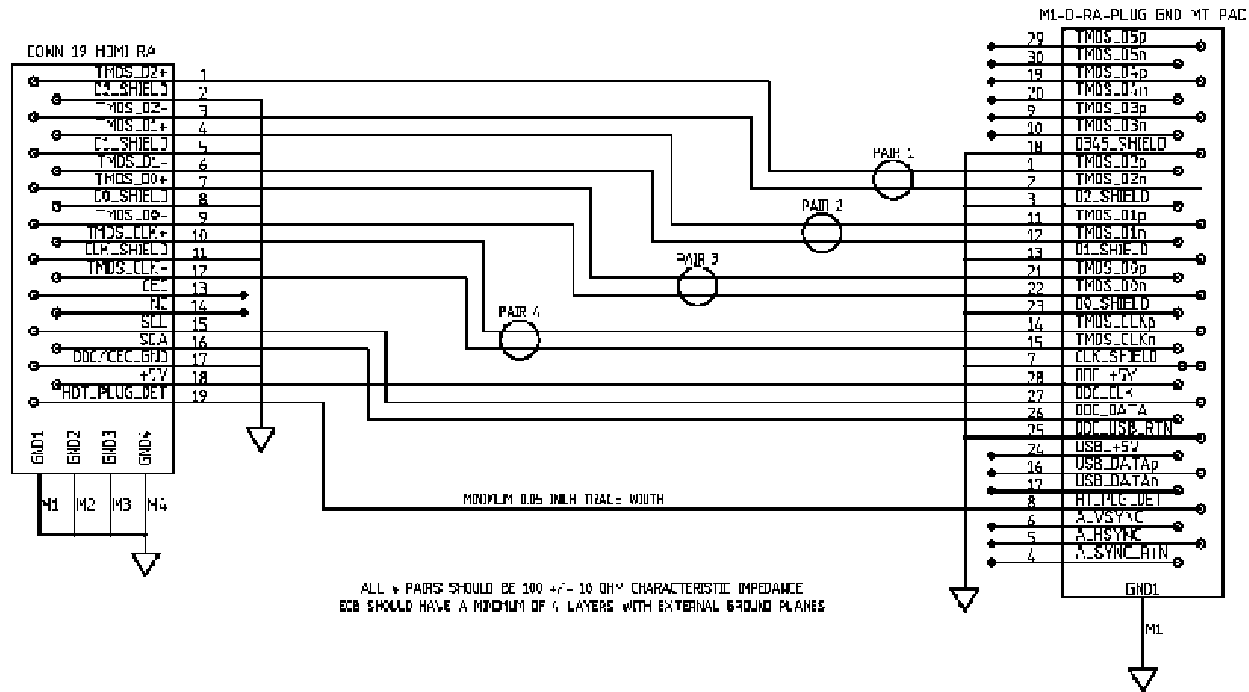
C

B

B

A

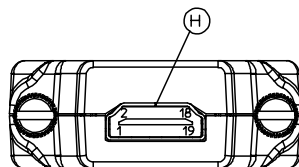
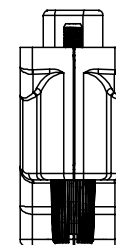
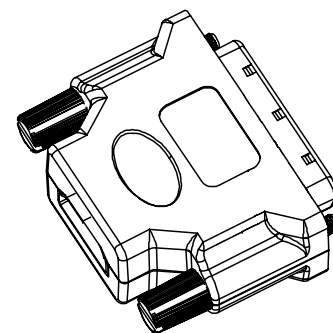
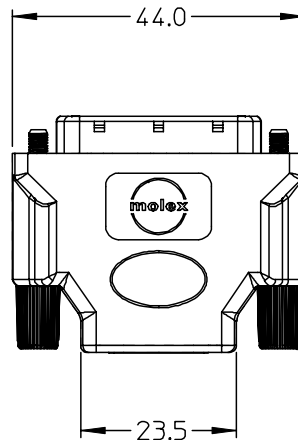
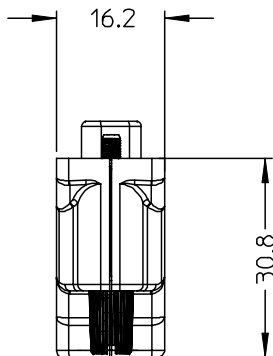
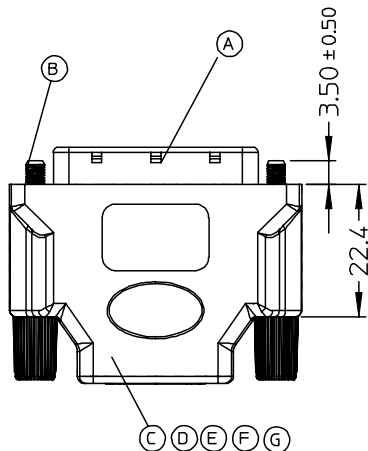
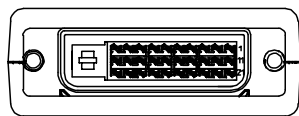
A



ALL 4 PAIRS SHOULD BE 100 +/- 10 OHM CHARACTERISTIC IMPEDANCE
PCB SHOULD HAVE A MINIMUM OF 4 LAYERS WITH EXTERNAL GROUND PLANES

ENTER DESCRIPTION EC NO: DG2006-0175 DRWN: JFZHENG 2006/02/18 CHKD: JFZHENG 2006/02/20 APPR: DQLUO 2006/02/20	QUALITY SYMBOLS ▽=0 ◻=0	GENERAL TOLERANCES (UNLESS SPECIFIED)		DIMENSION STYLE MM ONLY		SCALE ---	DESIGN UNITS METRIC	THIRD ANGLE PROJECTION		
			mm	INCH	DRAWN BY	DATE	TITLE			
		4 PLACES	±---	±---	JFZHENG	2006/02/18	HDMI(F) TO P&D ADAPTER			
		3 PLACES	±---	±---	CHECKED BY	DATE	MOLEX INCORPORATED			
2 PLACES	±---	±---	JFZHENG	2006/02/18						
1 PLACE	±---	±---	APPROVED BY	DATE	DOCUMENT NO.		SHEET NO.			
	ANGULAR ±---°	DRAFT WHERE APPLICABLE MUST REMAIN WITHIN DIMENSIONS		DQLUO	2006/02/18	SD-88764-590		2 OF 2		
				MATERIAL NO.	ENTER PART					
				SIZE	THIS DRAWING CONTAINS INFORMATION THAT IS PROPRIETARY TO MOLEX INCORPORATED AND SHOULD NOT BE USED WITHOUT WRITTEN PERMISSION					

6 5 4 3 2 1



NOTES:

1. DIELECTRIC STRENGTH: 300V AC FOR 10MS
2. INSULATION RESISTANCE: 10M OHM(MIN.)
3. CONTACT RESISTANCE: 2 OHM Max.
4. PCB IMPEDANCE: 100±10 OHM
5. ABS COVER MOLDED WITH 887800141 WHITE RESIN.
6. THIS PRODUCT MEET ROHS COMPLIANCE

ITEM	DESCRIPTION	USAGE
H	HDMI RECEPTACLE	1
G	4-LAY PCB	1
F	BOTTOM METAL CAN	1
E	TOP METAL CAN	1
D	ABS BOTTOM COVER	1
C	ABS TOP COVER	1
B	4-40 UNC JACKSCREW	2
A	R/A P&D CONN.	1

ENTER DESCRIPTION EC NO: DG2006-0144 DRWN: JFZHENG CHKD: APPR: DQLUO	2005/12/27 2005/12/30 2006/01/16	QUALITY SYMBOLS ▽=0 ◻=0	GENERAL TOLERANCES (UNLESS SPECIFIED)		DIMENSION STYLE MM ONLY		SCALE ---	DESIGN UNITS METRIC	THIRD ANGLE PROJECTION			
	DESCRIPTION		mm	INCH	DRAWN BY	DATE	TITLE					
	REV		4 PLACES	±---	±---	JFZHENG	2005/12/27	HDMI(F) TO P&D ADAPTER				
			3 PLACES	±---	±---	CHECKED BY	DATE	MATERIAL NO. DOCUMENT NO. SHEET NO.				
	2 PLACES	±---	±---	JFZHENG	2005/12/27	ENTER PART SD-887645900 1 OF 00						
	1 PLACE	±0.5--	±---	APPROVED BY	DATE	THIS DRAWING CONTAINS INFORMATION THAT IS PROPRIETARY TO MOLEX INCORPORATED AND SHOULD NOT BE USED WITHOUT WRITTEN PERMISSION						
		ANGULAR ±1/2°		DQLUO	2005/12/27							
DRAFT WHERE APPLICABLE MUST REMAIN WITHIN DIMENSIONS												

7 6 5 4 3 2 1

E

E

D

D

C

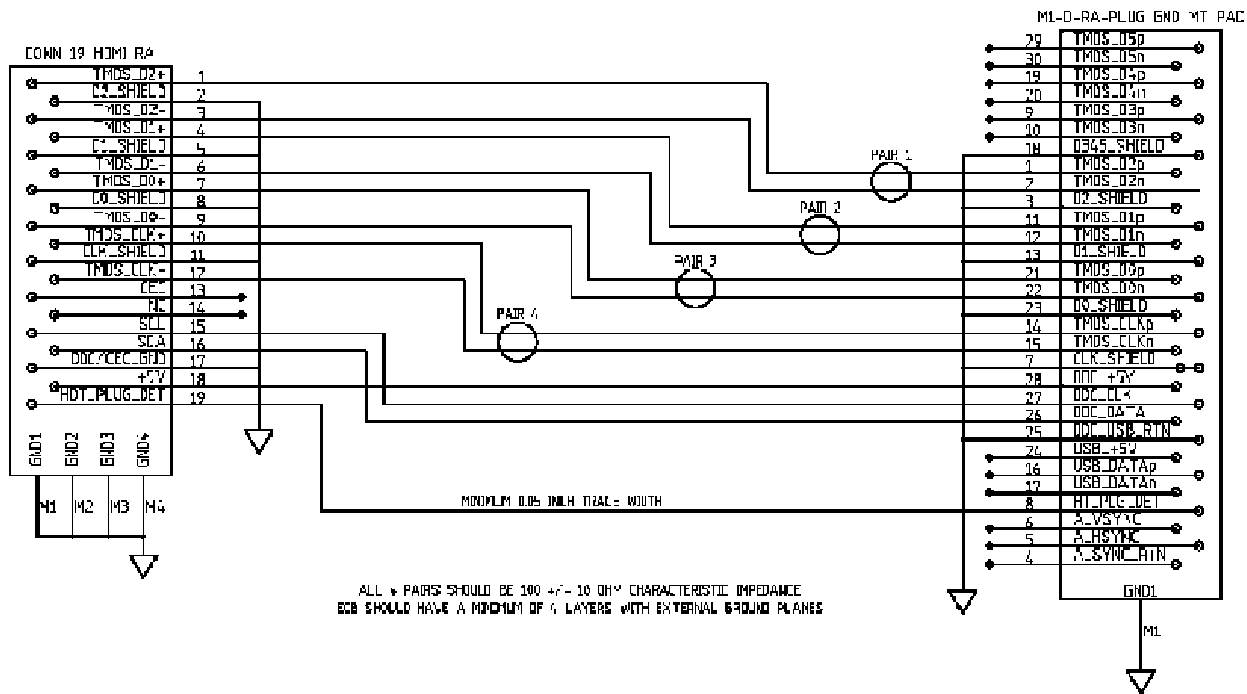
C

B

B

A

A



ENTER DESCRIPTION	2005/12/27
EC NO: DG2006-0144	2005/12/30
DRWN: JFZHENG	2006/01/16
CHKD:	
APPR: DQLUO	
REV	DESCRIPTION
B	

QUALITY SYMBOLS	=0
	=0

GENERAL TOLERANCES (UNLESS SPECIFIED)	
	mm
4 PLACES	± ---
3 PLACES	± ---
2 PLACES	± ---
1 PLACE	± ---
ANGULAR ±1/2°	
DRAFT WHERE APPLICABLE MUST REMAIN WITHIN DIMENSIONS	

DIMENSION STYLE	
MM ONLY	
DRAWN BY	DATE
JFZHENG	2005/12/27
CHECKED BY	DATE
JFZHENG	2005/12/27
APPROVED BY	DATE
DQLUO	2005/12/27
MATERIAL NO.	
ENTER PART	
SIZE	
A 4	

SCALE	DESIGN UNITS	THIRD ANGLE PROJECTION
---	METRIC	
TITLE		
HDMI(F) TO P&D ADAPTER		
MOLEX INCORPORATED		
MATERIAL NO.	DOCUMENT NO.	SHEET NO.
ENTER PART	SD-887645900	2 OF 00
THIS DRAWING CONTAINS INFORMATION THAT IS PROPRIETARY TO MOLEX INCORPORATED AND SHOULD NOT BE USED WITHOUT WRITTEN PERMISSION		

6 5 4 3 2 1