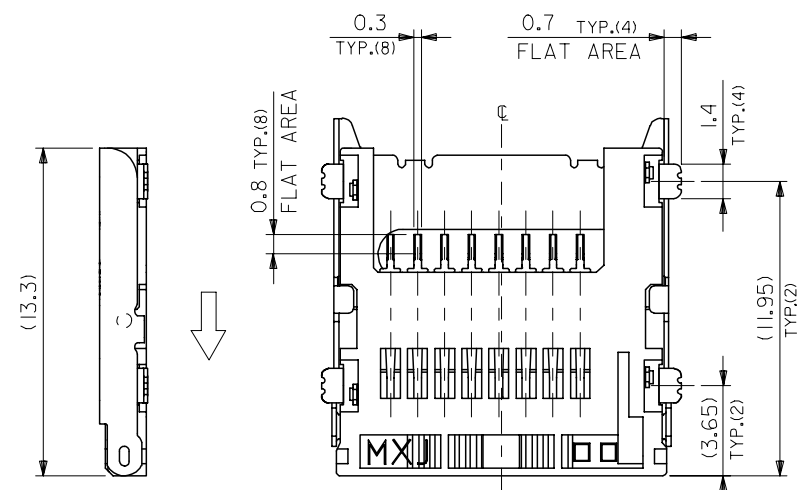
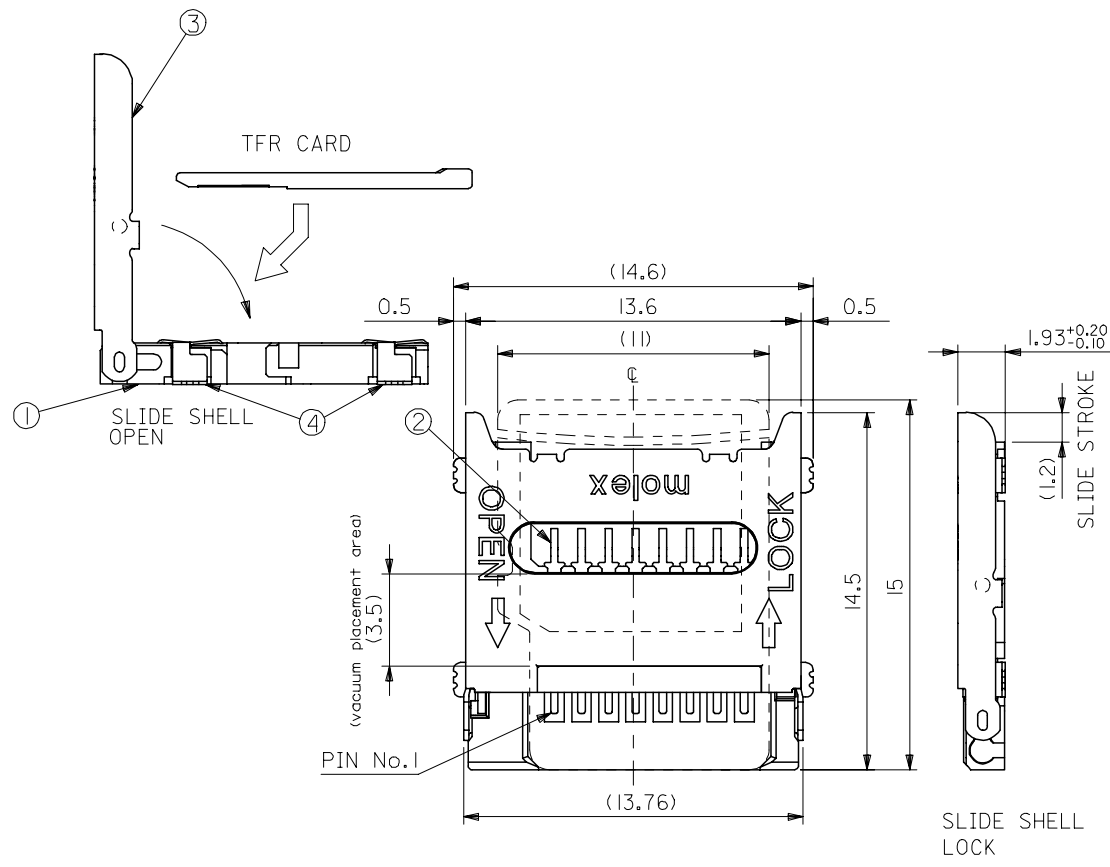


NO.	PARTS DESCRIPTION	QTY	MATERIAL	FINISH
①	HOUSING	1	LIQUID CRYSTAL POLYMER (WHITE)	—
②	TERMINAL	8	PHOSPHOR BRONZE	CONTACT AREA:GOLD 0.5um MIN. SOLDER AREA:TIN 1.0um MIN. UNDER PLATING NICKEL 1.0um MIN.
③	SHELL	1	STAINLESS STEEL	—
④	NAIL	4	PHOSPHOR BRONZE	ALL OVER:TIN 1.0um MIN.

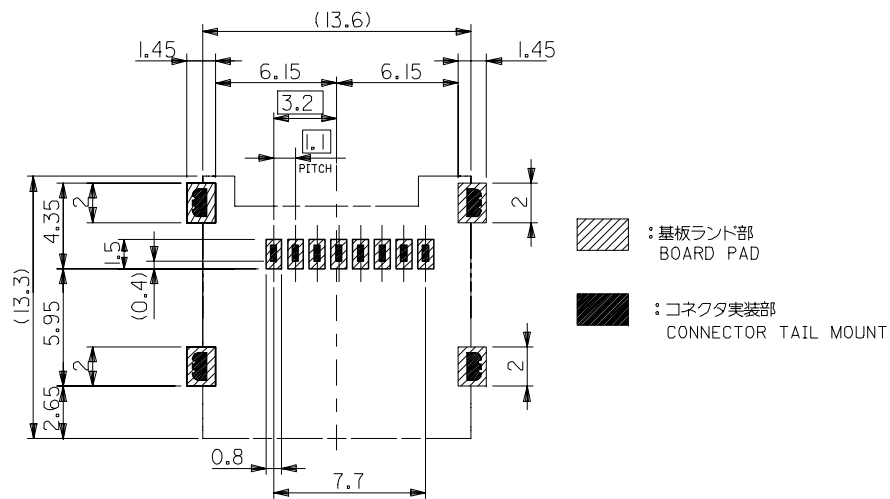


NOTE

\* EACH TERMINALS AND NAILS COPLANARITY TO BE 0.1 MAX.

WITH EMBOSSED TAPE	500901-0801	500901-08**
CONNECTOR ONLY	500901-0829	
PACKAGE	MATERIAL No.	MODEL No.

REVISED EC NO: J2005-3187 DRWNGKSETO 2005/04/22 CHKD: TWATANABE 2005/04/22 APPR: JMIYAZAWA 2005/04/28	GENERAL TOLERANCES (UNLESS SPECIFIED)		DIMENSION STYLE	SCALE	DESIGN UNITS	THIRD ANGLE PROJECTION
			MM ONLY	5:1	METRIC	
	10 UNDER	±0.2	DRAWN BY	TITLE		
	10 OVER 30 UNDER	±0.25	TWATANABE	TFR MEMORY CARD CONN. HINGE TYPE		
	30 OVER	±0.3	DATE	MOLEX MOLEX INCORPORATED		
ANGULAR	±3 °	HTAKASE	DOCUMENT NO.			
DRAFT WHERE APPLICABLE MUST REMAIN WITHIN DIMENSIONS		DATE	SD-500901-003			
		JMIYAZAWA	SHEET NO.			
		DATE	1 OF 2			
		05/01/21	THIS DRAWING CONTAINS INFORMATION THAT IS PROPRIETARY TO MOLEX INCORPORATED AND SHOULD NOT BE USED WITHOUT WRITTEN PERMISSION			
		05/01/21				



推奨基板寸法(上面図) 一般公差: ±0.05  
 RECOMMENDED P.C. BOARD LAYOUT(TOP VIEW)  
 GENERAL TOLERANCES : ±0.05

REVISED EC NO: J2005-3187 DRAWN: KSETO 2005/04/22 CHK'D: TWATANABE 2005/04/22 APPR: JMIYAZAWA 2005/04/28	GENERAL TOLERANCES (UNLESS SPECIFIED)		DIMENSION STYLE MM ONLY		SCALE 5:1	DESIGN UNITS METRIC	THIRD ANGLE PROJECTION	
	10 UNDER	± ---	DRAWN BY TWATANABE	DATE 05/01/21	TITLE TFR MEMORY CARD CONN. HINGE TYPE			
	10 OVER 30 UNDER	± ---	CHECKED BY HTAKASE	DATE 05/01/21				
	30 OVER	± ---	APPROVED BY JMIYAZAWA	DATE 05/01/21	MOLEX INCORPORATED			
ANGULAR	± --- °	MATERIAL NO.	DOCUMENT NO. SD-500901-003	SHEET NO. 2 OF 2				
DRAFT WHERE APPLICABLE MUST REMAIN WITHIN DIMENSIONS		SEE CHART		THIS DRAWING CONTAINS INFORMATION THAT IS PROPRIETARY TO MOLEX INCORPORATED AND SHOULD NOT BE USED WITHOUT WRITTEN PERMISSION				

10

9

8

7

6

5

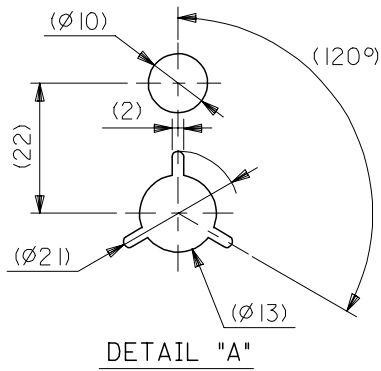
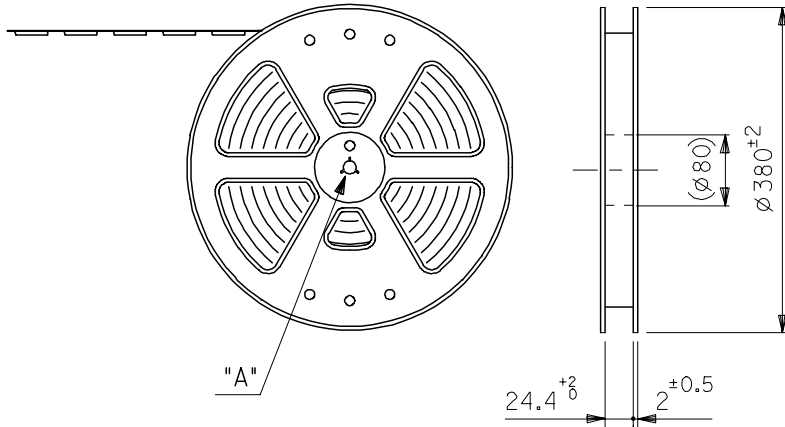
4

3

2

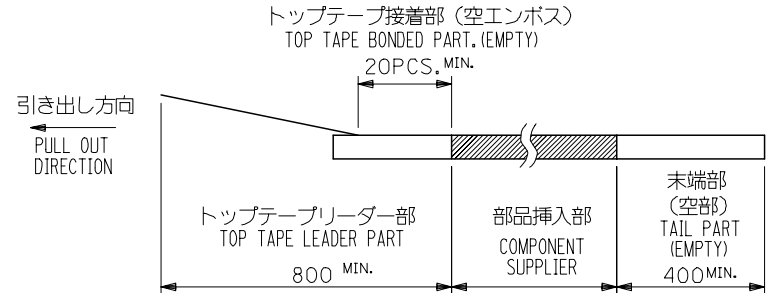
1

引き出し方向  
←  
PULL OUT  
DIRECTION

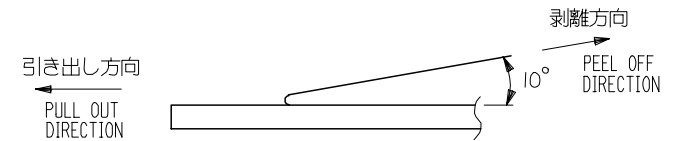


## NOTES

- 製品詳細寸法については、SD図面を参照下さい。  
THE DETAIL DIMENSIONS REFER TO SALES DRAWING.
- 梱包数量：1400個/リール  
NUMBER OF CONNECTORS : 1400PCS/REEL
- リードテープ長さ LEAD TAPE LENGTH



- トップテープの剥離強度：0.1N～1.3N (10.2gf～130gf) (剥離方向は下図参照)  
尚、本規格値は出荷時に適用。(但し、輸送時に剥離が発生しないこと。)  
PEEL FORCE OF TOP TAPE : 0.1N～1.3N (10.2gf～130gf)  
(PEEL DIRECTION AS SHOWN IN FOLLOWING FIG.)  
THIS REQUIREMENT SHOULD BE APPLIED AT SHIPMENT.  
PEEL OFF SHOULD NOT BE ALLOWED , DURING TRANSPORTATION.



## 5. 材料 (MATERIAL)

キャリアテープ (CARRIER TAPE) : ポリプロピレン (POLYPROPYLENE)  
トップテープ (TOPTAPE) : PET, PE, PEF  
リール (REEL) : ポリスチレン (PS) <リサイクル材を含む>  
POLYSTYRENE (PS) <RECYCLE MATERIAL CONTAINED>

RELEASED EC NO: J2005-2205 DRAWN: SETO 2005/02/03 CHKD: WATANABE 2005/02/03 APPR: JIMYAZAWA 2005/02/08	GENERAL TOLERANCES (UNLESS SPECIFIED)		DIMENSION STYLE MM ONLY	SCALE ---	DESIGN UNITS METRIC	THIRD ANGLE PROJECTION
	10 UNDER	±0.2	DRAWN BY TWATANABE	DATE 05/01/21	TITLE TFR MEMORY CARD CONN. EMBOSSD TAPE PACKAGE	
10 OVER 30 UNDER	±0.25	CHECKED BY HTAKASE	DATE 05/01/21	MOLEX MOLEX INCORPORATED		
30 OVER	±0.3	APPROVED BY JMIYAZAWA	DATE 05/01/21	DOCUMENT NO. SD-500901-004		
ANGULAR ±3 °		MATERIAL NO. 500901-0801		SHEET NO. 1 OF 2		
DRAFT WHERE APPLICABLE MUST REMAIN WITHIN DIMENSIONS		SIZE A3 THIS DRAWING CONTAINS INFORMATION THAT IS PROPRIETARY TO MOLEX INCORPORATED AND SHOULD NOT BE USED WITHOUT WRITTEN PERMISSION				

9

8

7

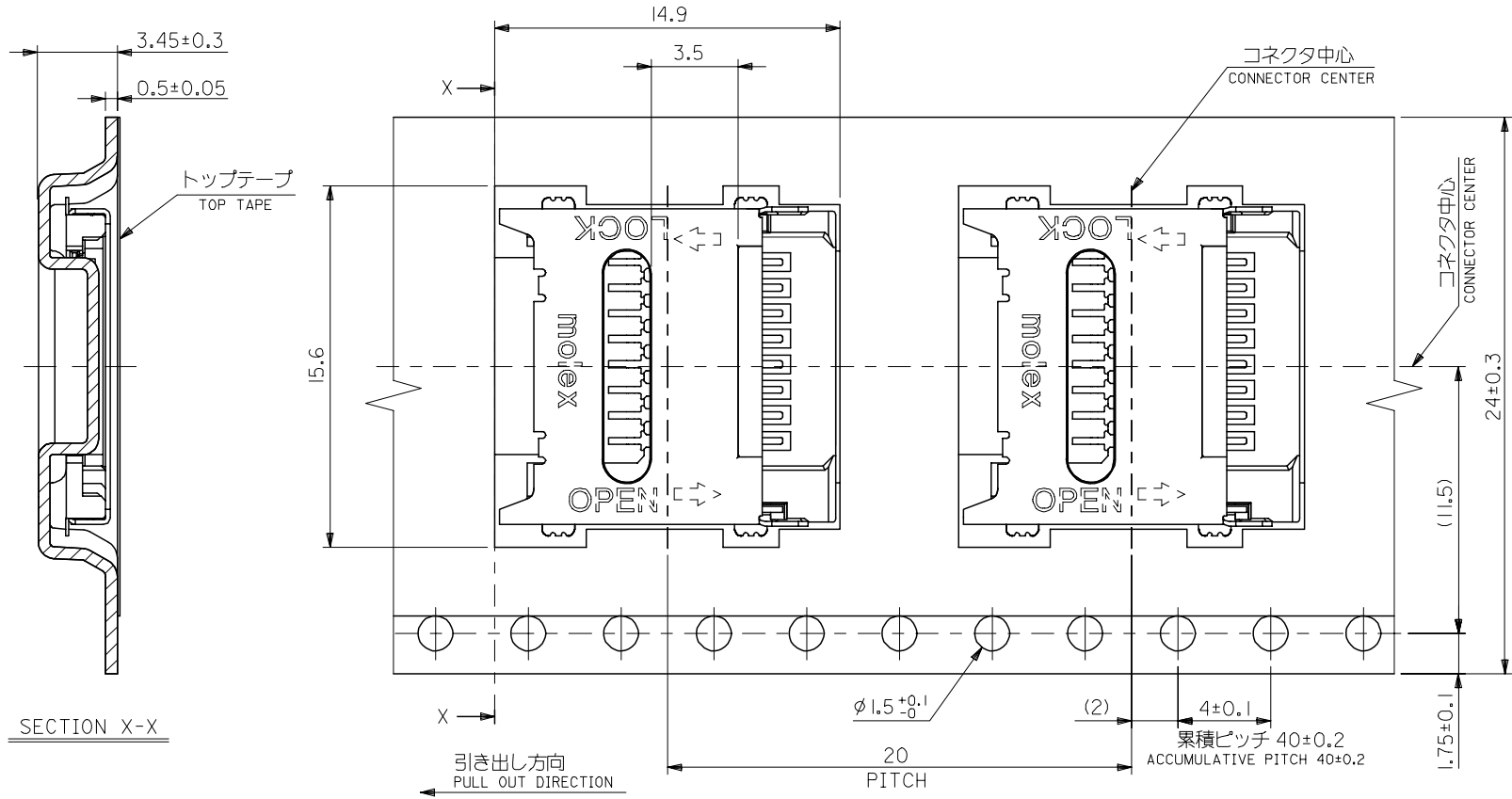
6

5

4

3

2



SECTION X-X

RELEASED EC NO: J2005-2205 DRWNGKSETO 2005/02/03 CHKD: TWATANABE 2005/02/03 APPR: JMIYAZAWA 2005/02/08	GENERAL TOLERANCES (UNLESS SPECIFIED)		DIMENSION STYLE MM ONLY		SCALE ---	DESIGN UNITS METRIC	THIRD ANGLE PROJECTION	
	10 UNDER	± ---	DRAWN BY TWATANABE	DATE 05/01/21	TITLE TFR MEMORY CARD CONN. EMBOSSD TAPE PACKAGE			
	10 OVER 30 UNDER	± ---	CHECKED BY HTAKASE	DATE 05/01/21	APPROVED BY JMIYAZAWA			
	30 OVER	± ---	MATERIAL NO. 500901-0801		DOCUMENT NO. SD-500901-004		SHEET NO. 2 OF 2	
	ANGULAR ±3 °		MOLEX INCORPORATED THIS DRAWING CONTAINS INFORMATION THAT IS PROPRIETARY TO MOLEX INCORPORATED AND SHOULD NOT BE USED WITHOUT WRITTEN PERMISSION					