

Data Sheet

HAL[®] 401

Linear Hall Effect
Sensor IC

Contents

Page	Section	Title
3	1.	Introduction
3	1.1.	Features
3	1.2.	Marking Code
3	1.2.1.	Special Marking of Prototype Parts
3	1.3.	Operating Junction Temperature Range
3	1.4.	Hall Sensor Package Codes
3	1.5.	Solderability
4	2.	Functional Description
5	3.	Specifications
5	3.1.	Outline Dimensions
6	3.2.	Dimensions of Sensitive Area
6	3.3.	Positions of Sensitive Area
6	3.4.	Absolute Maximum Ratings
6	3.4.1.	Storage and Shelf Life
7	3.5.	Recommended Operating Conditions
8	3.6.	Characteristics
15	4.	Application Notes
15	4.1.	Ambient Temperature
15	4.2.	EMC and ESD
15	4.3.	Application Circuit
18	5.	Data Sheet History

Linear Hall Effect Sensor IC
in CMOS technology

Release Notes: Revision bars indicate significant changes to the previous edition.

1. Introduction

The HAL 401 is a Linear Hall Effect Sensors produced in CMOS technology. The sensor includes a temperature-compensated Hall plate with choppered offset compensation, two linear output stages, and protection devices (see Fig. 2–1).

The output voltage is proportional to the magnetic flux density through the hall plate. The choppered offset compensation leads to stable magnetic characteristics over supply voltage and temperature.

The HAL 401 can be used for magnetic field measurements, current measurements, and detection of any mechanical movement. Very accurate angle measurements or distance measurements can also be done. The sensor is very robust and can be used in electrical and mechanical hostile environments.

The sensor is designed for industrial and automotive applications and operates in the ambient temperature range from –40 °C up to 150 °C and is available in the SMD-package SOT89B-1.

1.1. Features:

- switching offset compensation at 147 kHz
- low magnetic offset
- extremely sensitive
- operates from 4.8 to 12 V supply voltage
- wide temperature range $T_A = -40\text{ °C to }+150\text{ °C}$
- overvoltage protection
- reverse voltage protection of V_{DD} -pin
- differential output
- accurate absolute measurements of DC and low frequency magnetic fields
- on-chip temperature compensation

1.2. Marking Code

Type	Temperature Range	
	A	K
HAL401	401A	401K

1.2.1. Special Marking of Prototype Parts

Prototype parts are coded with an underscore beneath the temperature range letter on each IC. They may be used for lab experiments and design-ins but are not intended to be used for qualification tests or as production parts.

1.3. Operating Junction Temperature Range

The Hall sensors from Micronas are specified to the chip temperature (junction temperature T_J).

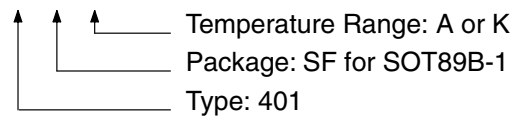
A: $T_J = -40\text{ °C to }+170\text{ °C}$

K: $T_J = -40\text{ °C to }+140\text{ °C}$

Note: Due to power dissipation, there is a difference between the ambient temperature (T_A) and junction temperature. Please refer to section 4.1. on page 15 for details.

1.4. Hall Sensor Package Codes

HALXXXPA-T



Example: **HAL401SF-K**

- Type: 401
- Package: SOT89B-1
- Temperature Range: $T_J = -40\text{ °C to }+140\text{ °C}$

Hall sensors are available in a wide variety of packaging versions and quantities. For more detailed information, please refer to the brochure: “Hall Sensors: Ordering Codes, Packaging, Handling”.

1.5. Solderability

all packages: according to IEC68-2-58

During soldering reflow processing and manual reworking, a component body temperature of 260 °C should not be exceeded.

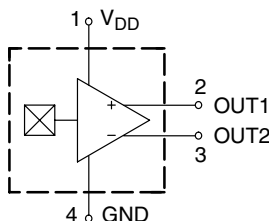


Fig. 1–1: Pin configuration

2. Functional Description

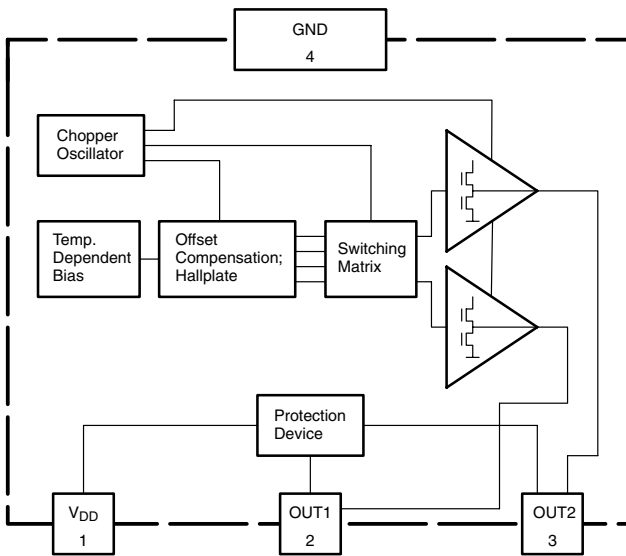


Fig. 2-1: Block diagram of the HAL401 (top view)

The Linear Hall Sensor measures constant and low frequency magnetic flux densities accurately. The differential output voltage V_{OUTDIF} (difference of the voltages on pin 2 and pin 3) is proportional to the magnetic flux density passing vertically through the sensitive area of the chip. The common mode voltage V_{CM} (average of the voltages on pin 2 and pin 3) of the differential output amplifier is a constant 2.2 V.

The differential output voltage consists of two components due to the switching offset compensation technique. The average of the differential output voltage represents the magnetic flux density. This component is overlaid by a differential AC signal at a typical frequency of 147 kHz. The AC signal represents the internal offset voltages of amplifiers and hall plates that are influenced by mechanical stress and temperature cycling.

External filtering or integrating measurement can be done to eliminate the AC component of the signal. Resultingly, the influence of mechanical stress and temperature cycling is suppressed. No adjustment of magnetic offset is needed.

The sensitivity is stabilized over a wide range of temperature and supply voltage due to internal voltage regulation and circuits for temperature compensation.

Offset Compensation (see Fig. 2-2)

The Hall Offset Voltage is the residual voltage measured in absence of a magnetic field (zero-field residual voltage). This voltage is caused by mechanical stress and can be modeled by a displacement of the connections for voltage measurement and/or current supply.

Compensation of this kind of offset is done by cyclic commutating the connections for current flow and voltage measurement.

- First cycle:
The hall supply current flows between points 4 and 2. In the absence of a magnetic field, V_{13} is the Hall Offset Voltage ($+V_{Offs}$). In case of a magnetic field, V_{13} is the sum of the Hall voltage (V_H) and V_{Offs} .
 $V_{13} = V_H + V_{Offs}$
- Second cycle:
The hall supply current flows between points 1 and 3. In the absence of a magnetic field, V_{24} is the Hall Offset Voltage with negative polarity ($-V_{Offs}$). In case of a magnetic field, V_{24} is the difference of the Hall voltage (V_H) and V_{Offs} .
 $V_{24} = V_H - V_{Offs}$

In the first cycle, the output shows the sum of the Hall voltage and the offset; in the second, the difference of both. The difference of the mean values of V_{OUT1} and V_{OUT2} (V_{OUTDIF}) is equivalent to V_{Hall} .

Note: The numbers do not represent pin numbers.

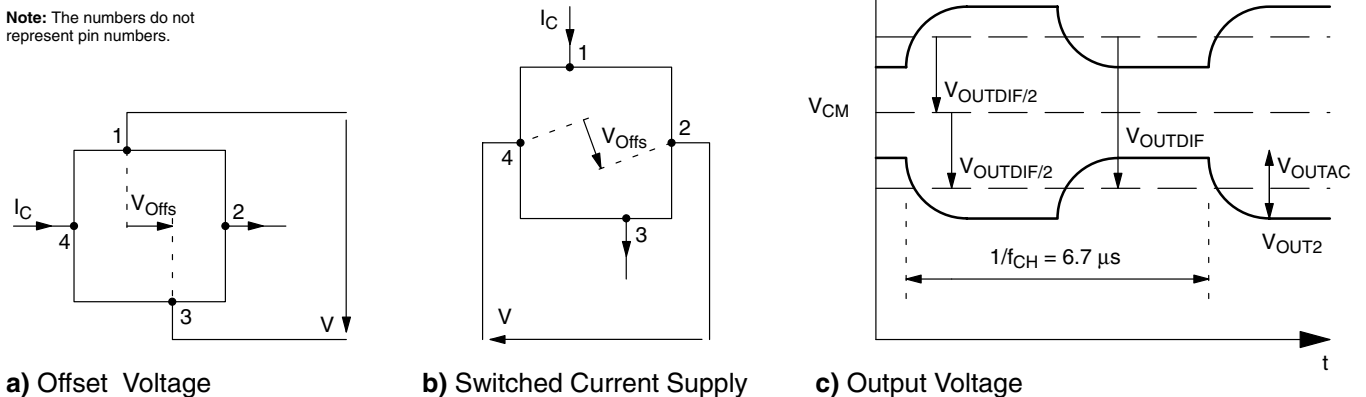
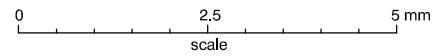
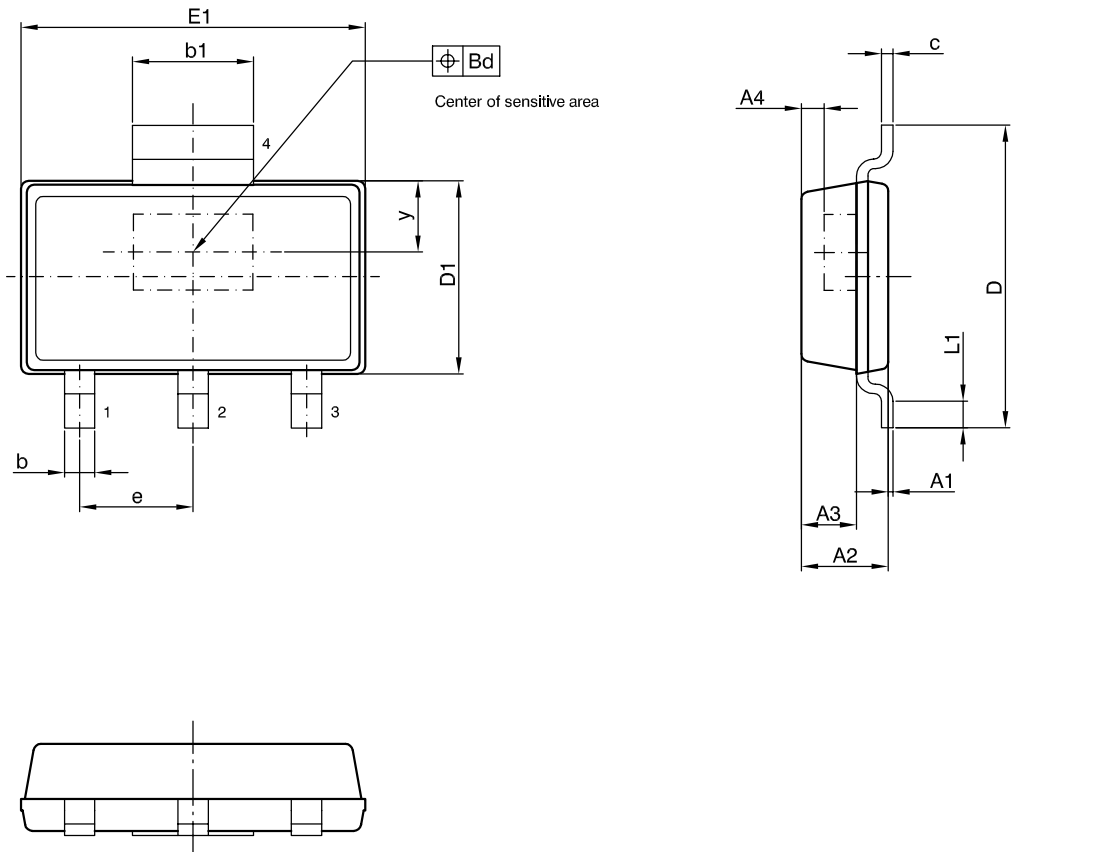


Fig. 2-2: Hall Offset Compensation

3. Specifications

3.1. Outline Dimensions



y= this dimension is different for each sensor type and is specified in the data sheet.

UNIT	A1	A2	A3	A4	b	b1	Bd	c	D	D1	e	E1	L1
mm	0.10 0.02	1.20 1.10	0.755 0.705	0.3	0.4	1.7	0.2	0.15	4.0	2.6 2.5	1.5	4.6 4.5	0.25 min.

JEDEC STANDARD		ANSI	ISSUE DATE YY-MM-DD	DRAWING-NO.	SPZG-NO.
ISSUE	ITEM NO.				
-	-		03-03-10	06610.0001.4	SPZG001010_001_01

Fig. 3-1:
SOT89B-1: Plastic Small Outline Transistor package, 4 leads
 Weight approximately 0.039 g

3.2. Dimensions of Sensitive Area

0.37 mm x 0.17 mm

3.3. Position of Sensitive Area

	SOT89B-1
y	0.95 mm nominal

3.4. Absolute Maximum Ratings

Stresses beyond those listed in the “Absolute Maximum Ratings” may cause permanent damage to the device. This is a stress rating only. Functional operation of the device at these conditions is not implied. Exposure to absolute maximum rating conditions for extended periods will affect device reliability.

This device contains circuitry to protect the inputs and outputs against damage due to high static voltages or electric fields; however, it is advised that normal precautions be taken to avoid application of any voltage higher than absolute maximum-rated voltages to this circuit.

All voltages listed are referenced to ground (GND).

Symbol	Parameter	Pin No.	Min.	Max.	Unit
V _{DD}	Supply Voltage	1	-12	12	V
V _O	Output Voltage	2, 3	-0.3	12	V
I _O	Continuous Output Current	2, 3	-5	5	mA
T _J	Junction Temperature Range		-40	170	°C
T _A	Ambient Temperature at V _{DD} = 5 V at V _{DD} = 12 V		-	150 125	°C °C

3.4.1. Storage and Shelf Life

The permissible storage time (shelf life) of the sensors is unlimited, provided the sensors are stored at a maximum of 30 °C and a maximum of 85% relative humidity. At these conditions, no Dry Pack is required.

Solderability is guaranteed for one year from the date code on the package. Solderability has been tested after storing the devices for 16 hours at 155 °C. The wettability was more than 95%.

3.5. Recommended Operating Conditions

Functional operation of the device beyond those indicated in the “Recommended Operating Conditions” of this specification is not implied, may result in unpredictable behavior of the device and may reduce reliability and lifetime.

All voltages listed are referenced to ground (GND).

Symbol	Parameter	Pin No.	Min.	Max.	Unit	Remarks
I_O	Continuous Output Current	2, 3	-2.25	2.25	mA	$T_J = 25\text{ }^\circ\text{C}$
I_O	Continuous Output Current	2, 3	-1	1	mA	$T_J = 170\text{ }^\circ\text{C}$
C_L	Load Capacitance	2, 3	-	1	nF	
V_{DD}	Supply Voltage	1	4.8	12	V	see Fig. 3-2
B	Magnetic Field Range		-50	50	mT	

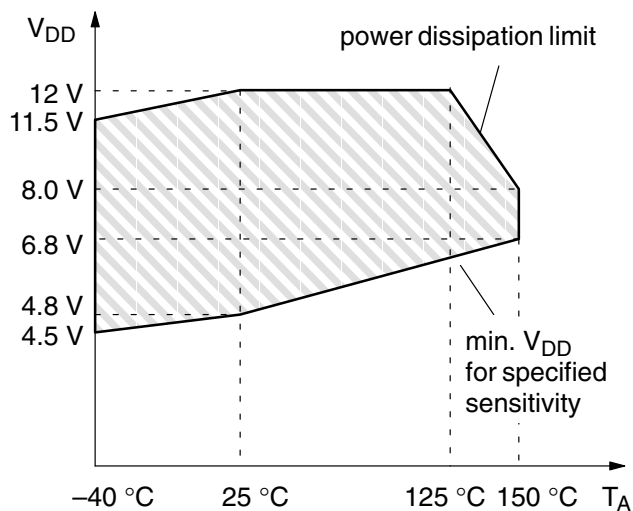
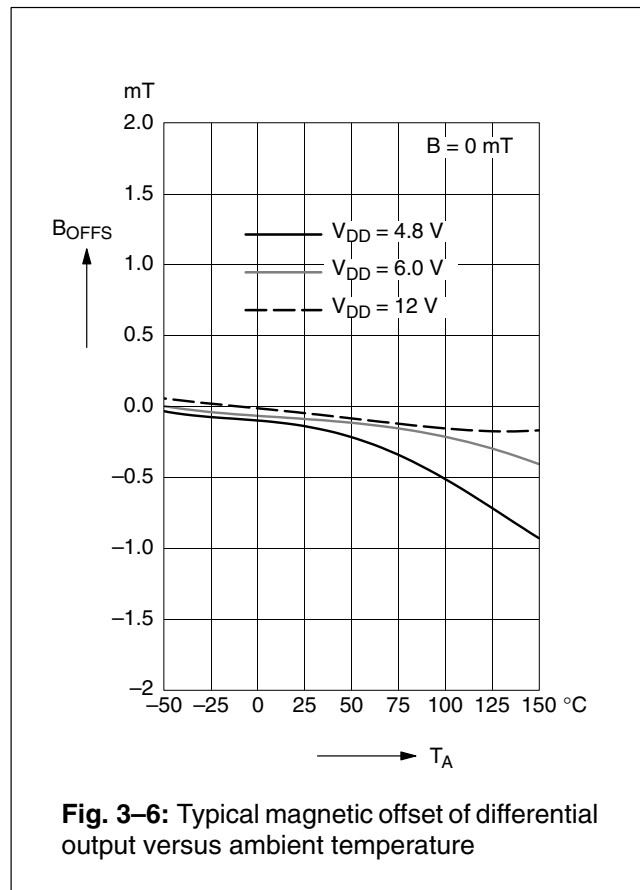
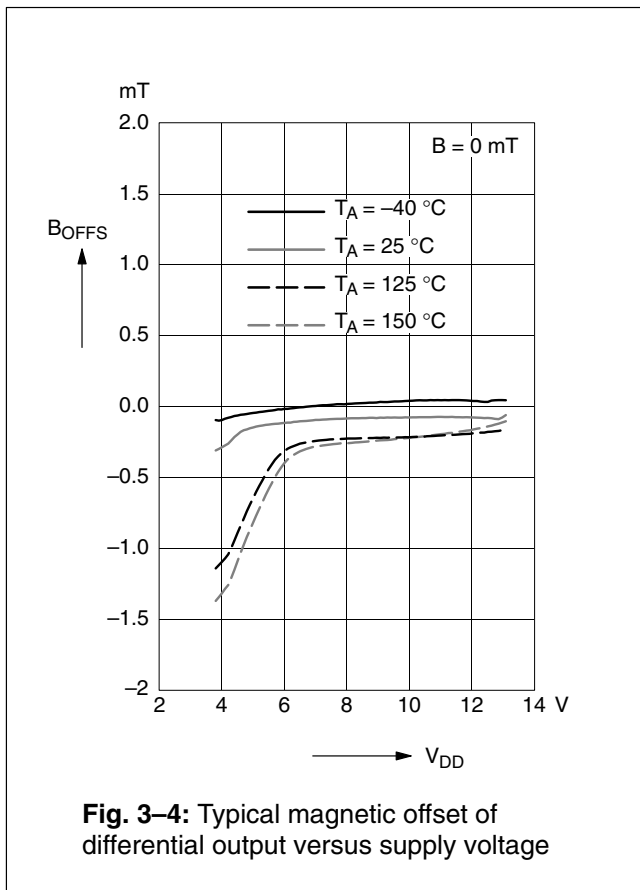
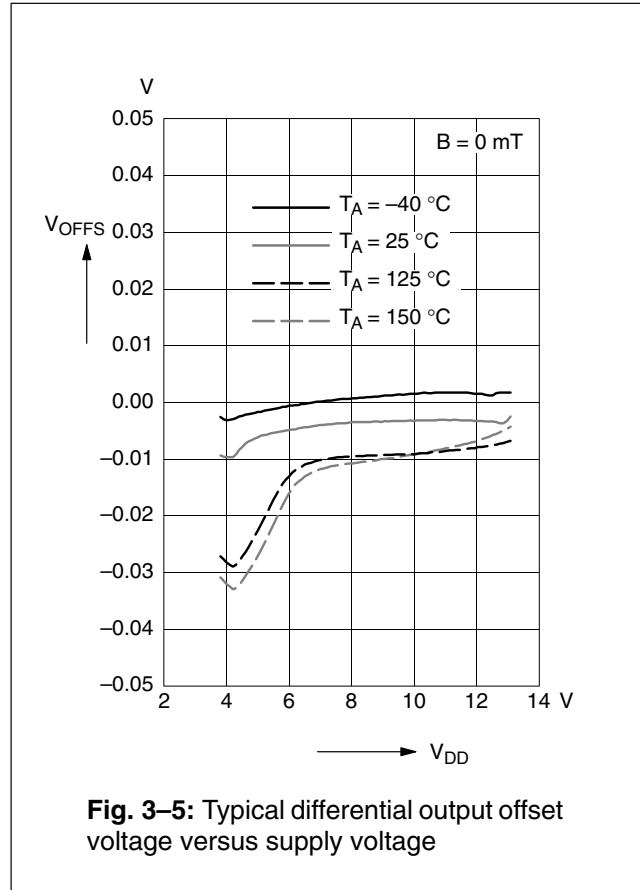
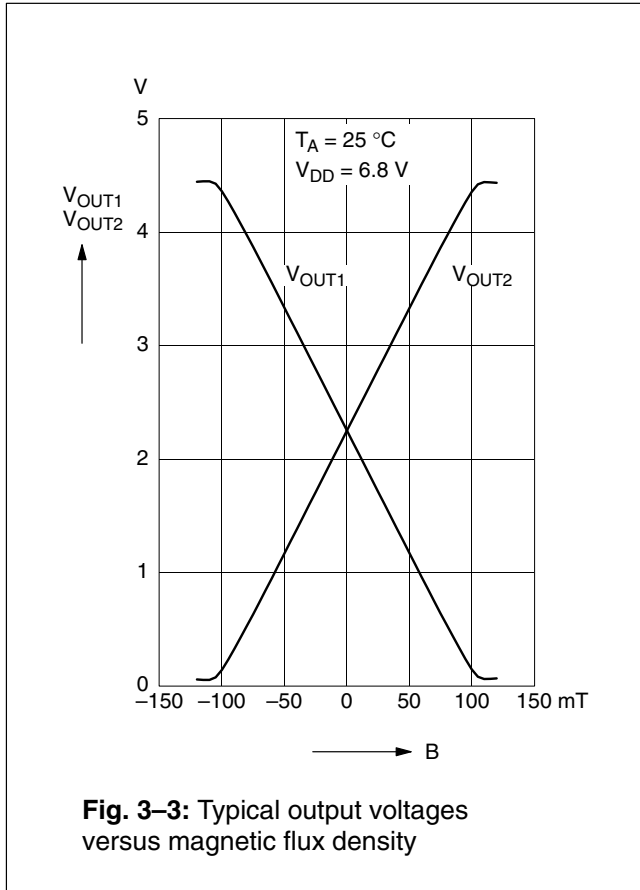


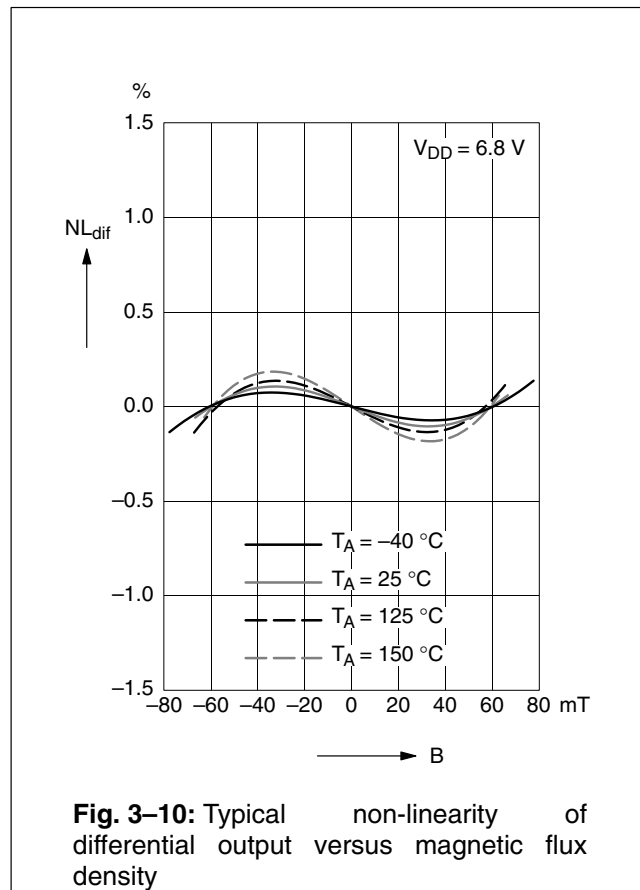
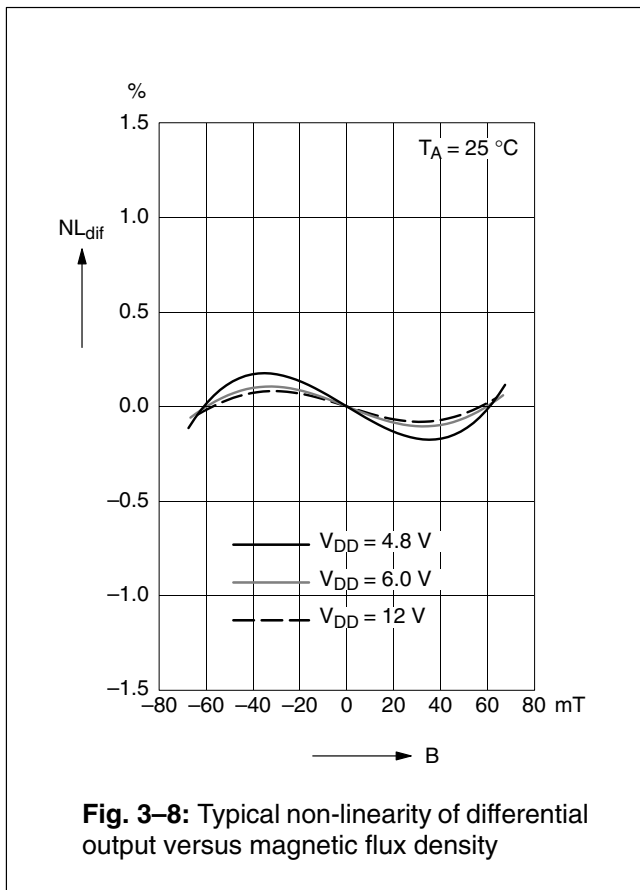
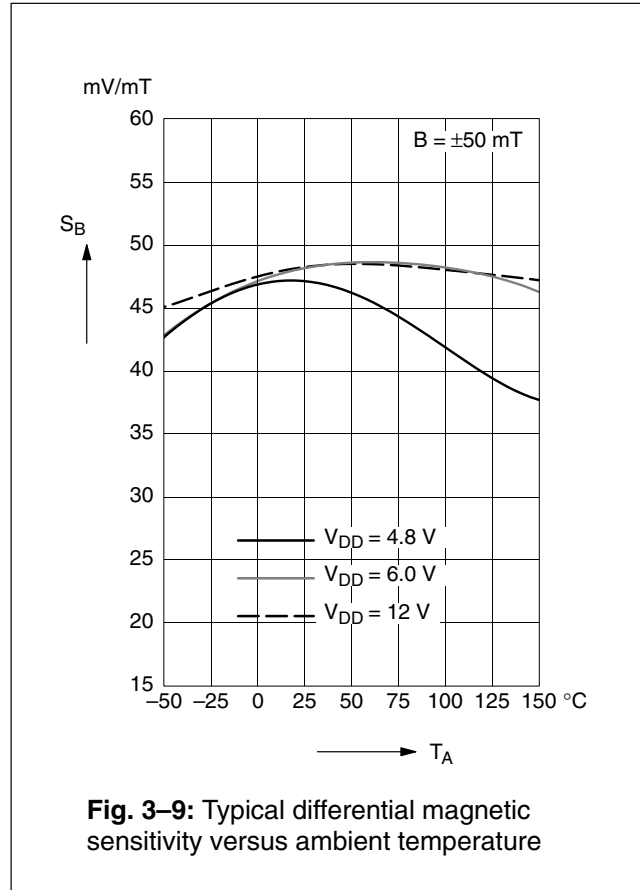
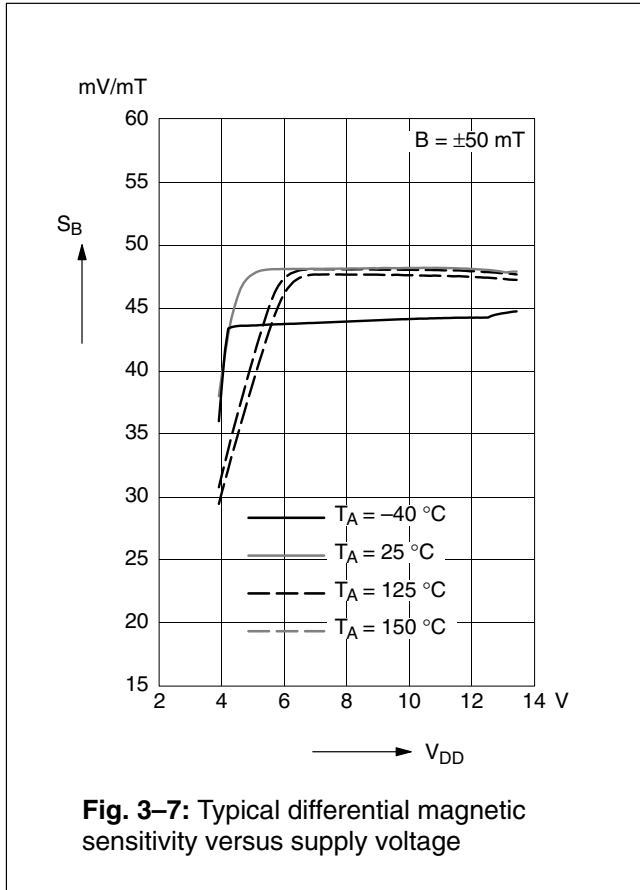
Fig. 3-2: Recommended Operating Supply Voltage

3.6. Characteristics at $T_J = -40\text{ }^\circ\text{C}$ to $+170\text{ }^\circ\text{C}$, $V_{DD} = 4.8\text{ V}$ to 12 V , $GND = 0\text{ V}$ at Recommended Operation Conditions (Fig. 3–2 for T_A and V_{DD}) as not otherwise specified in the column “Conditions”. Typical characteristics for $T_J = 25\text{ }^\circ\text{C}$, $V_{DD} = 6.8\text{ V}$ and $-50\text{ mT} < B < 50\text{ mT}$

Symbol	Parameter	Pin No.	Min.	Typ.	Max.	Unit	Conditions
I_{DD}	Supply Current	1	11	14.5	17.1	mA	$T_J = 25\text{ }^\circ\text{C}$, $I_{OUT1,2} = 0\text{ mA}$
I_{DD}	Supply Current over Temperature Range	1	9	14.5	18.5	mA	$I_{OUT1,2} = 0\text{ mA}$
V_{CM}	Common Mode Output Voltage $V_{CM} = (V_{OUT1} + V_{OUT2}) / 2$	2, 3	2.1	2.2	2.3	V	$I_{OUT1,2} = 0\text{ mA}$,
CMRR	Common Mode Rejection Ratio	2, 3	-2.5	0	2.5	mV/V	$I_{OUT1,2} = 0\text{ mA}$, CMRR is limited by the influence of power dissipation.
S_B	Differential Magnetic Sensitivity	2–3	42	48.5	55	mV/mT	$-50\text{ mT} < B < 50\text{ mT}$ $T_J = 25\text{ }^\circ\text{C}$
S_B	Differential Magnetic Sensitivity over Temperature Range	2–3	37.5	46.5	55	mV/mT	$-50\text{ mT} < B < 50\text{ mT}$
B_{offset}	Magnetic Offset over Temperature	2–3	-1.5	-0.2	1.5	mT	$B = 0\text{ mT}$, $I_{OUT1,2} = 0\text{ mA}$
$\Delta B_{OFFSET} / \Delta T$	Magnetic Offset Change		-25	0	25	$\mu\text{T/K}$	$B = 0\text{ mT}$, $I_{OUT1,2} = 0\text{ mA}$
BW	Bandwidth (-3 dB)	2–3	-	10	-	kHz	without external Filter ¹⁾
NL_{dif}	Non-Linearity of Differential Output	2–3	-	0.5	2	%	$-50\text{ mT} < B < 50\text{ mT}$
NL_{single}	Non-Linearity of Single Ended Output	2, 3	-	2	-	%	
f_{CH}	Chopper Frequency over Temp.	2, 3	-	147	-	kHz	
$V_{OUTACpp}$	Peak-to-Peak AC Output Voltage	2, 3	-	0.6	1.3	V	
η_{meff}	Magnetic RMS Differential Broadband Noise	2–3	-	10	-	μT	BW = 10 Hz to 10 kHz
$f_{flicker}$	Corner Frequency of 1/f Noise	2–3	-	10	-	Hz	$B = 0\text{ mT}$
$f_{flicker}$	Corner Frequency of 1/f Noise	2–3	-	100	-	Hz	$B = 50\text{ mT}$
R_{OUT}	Output Impedance	2, 3	-	30	50	Ω	$I_{OUT1,2} \leq 2.5\text{ mA}$, $T_J = 25\text{ }^\circ\text{C}$, $V_{DD} = 6.8\text{ V}$
R_{OUT}	Output Impedance over Temperature	2, 3	-	30	150	Ω	$I_{OUT1,2} \leq 2.5\text{ mA}$
R_{thJSB} case SOT89B-1	Thermal Resistance Junction to Substrate Backside		-	150	200	K/W	Fiberglass Substrate 30 mm x 10 mm x 1.5 mm pad size

¹⁾ with external 2 pole filter ($f_{3db} = 5\text{ kHz}$), V_{OUTAC} is reduced to less than 1 mV by limiting the bandwidth





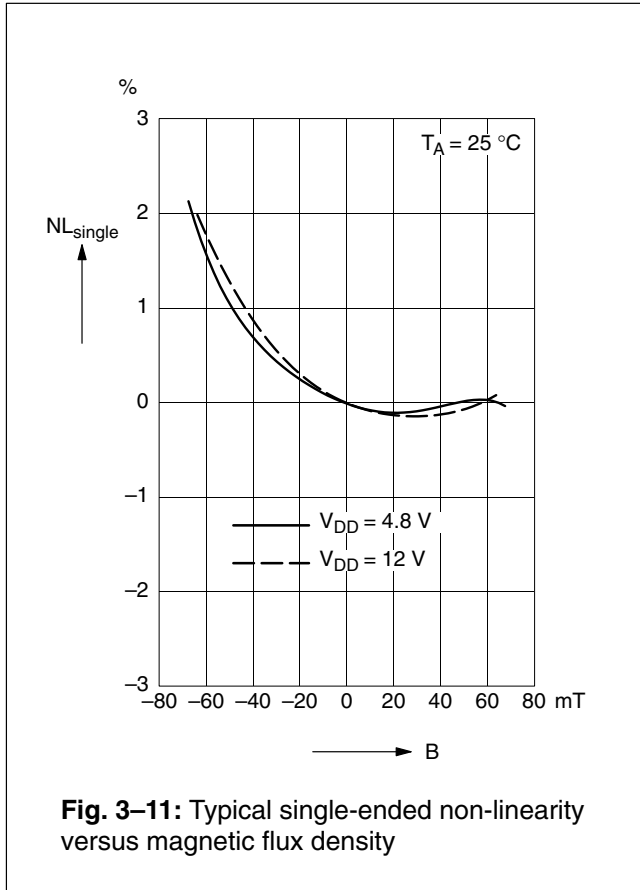


Fig. 3-11: Typical single-ended non-linearity versus magnetic flux density

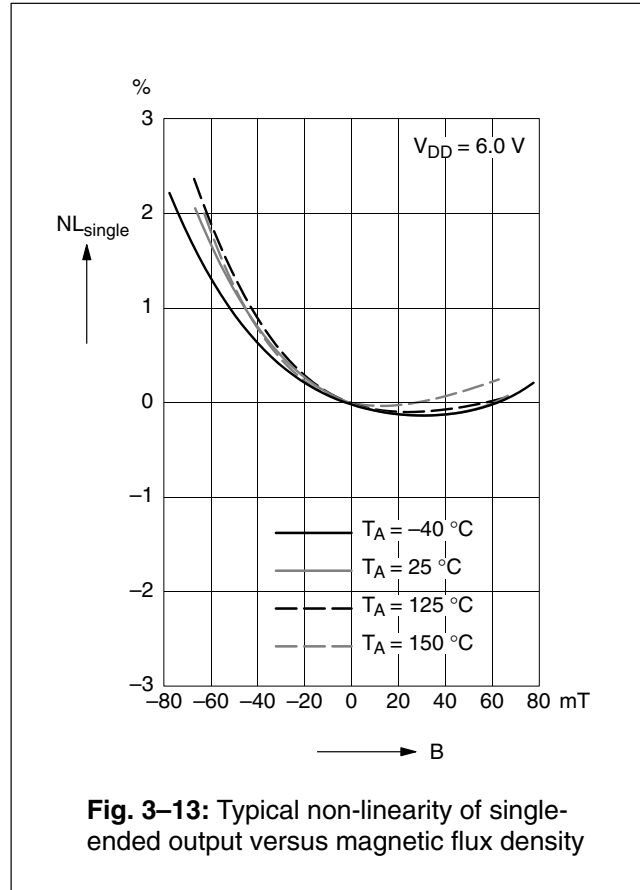


Fig. 3-13: Typical non-linearity of single-ended output versus magnetic flux density

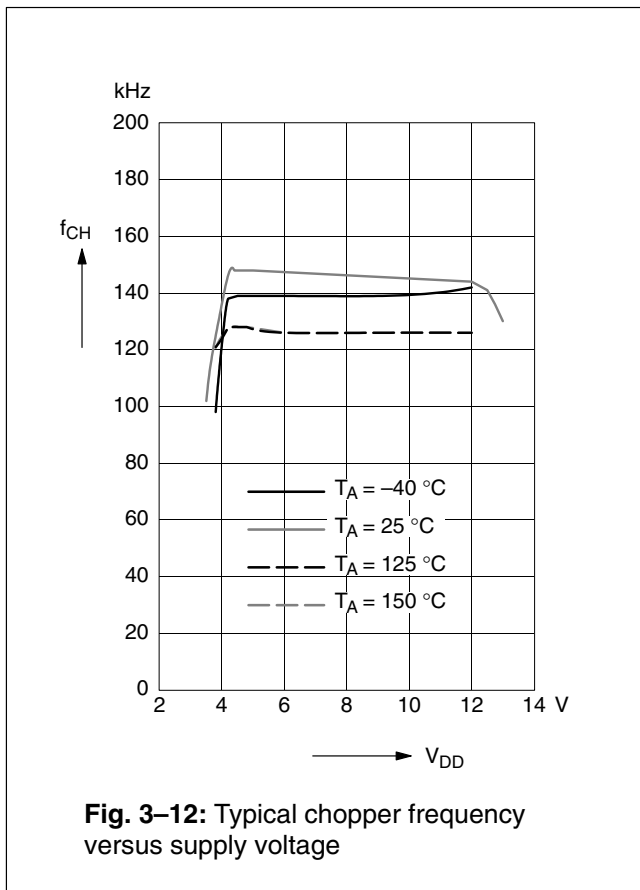


Fig. 3-12: Typical chopper frequency versus supply voltage

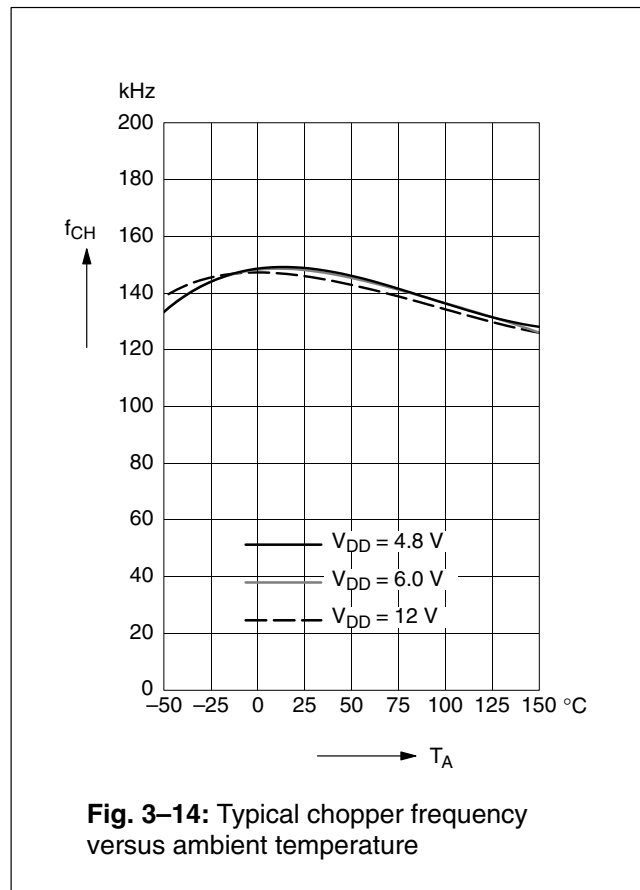


Fig. 3-14: Typical chopper frequency versus ambient temperature

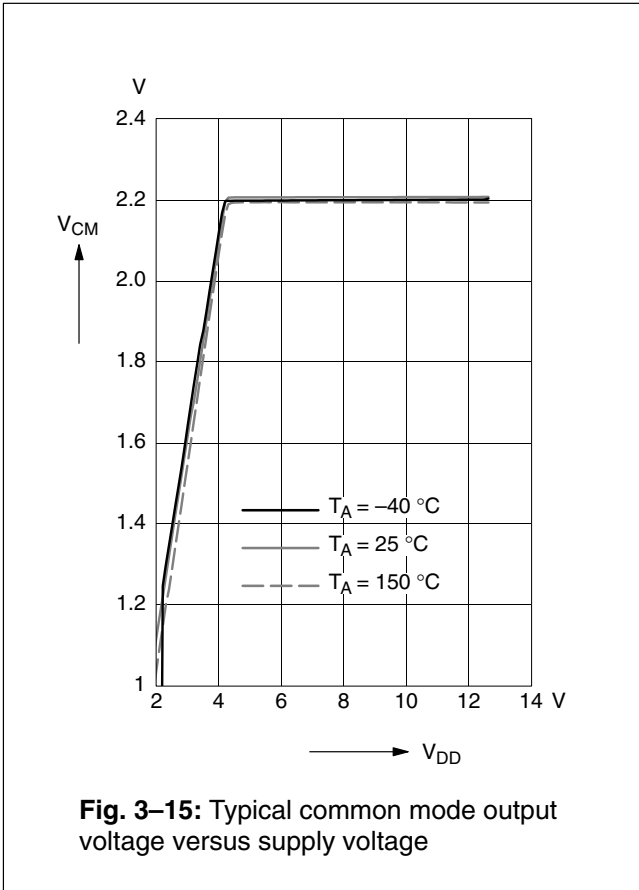


Fig. 3–15: Typical common mode output voltage versus supply voltage

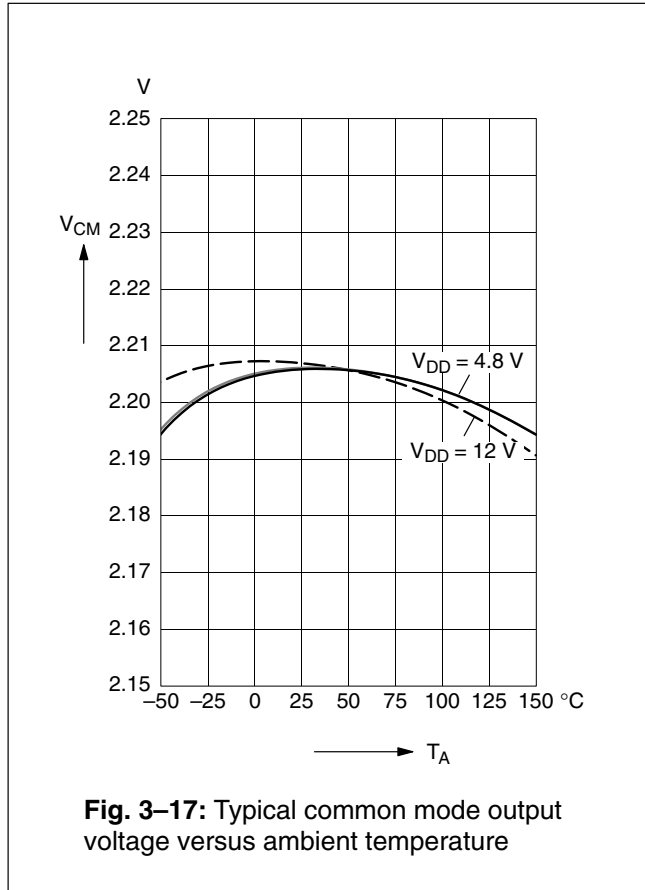


Fig. 3–17: Typical common mode output voltage versus ambient temperature

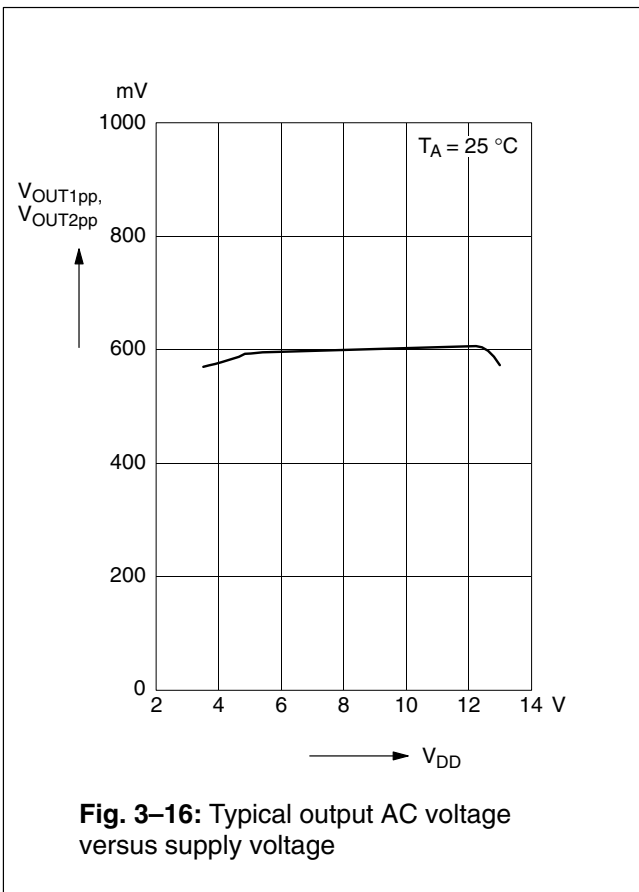


Fig. 3–16: Typical output AC voltage versus supply voltage

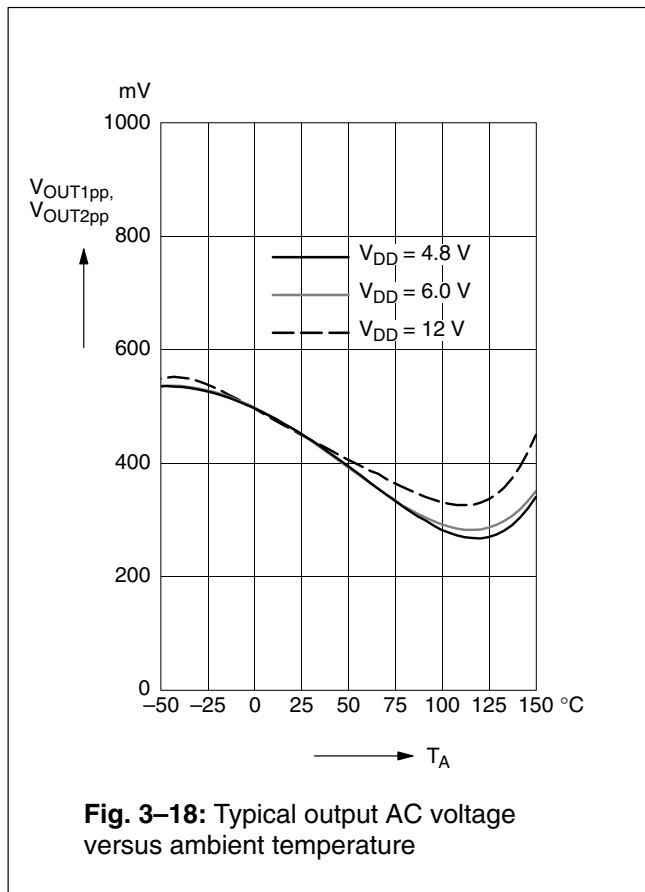
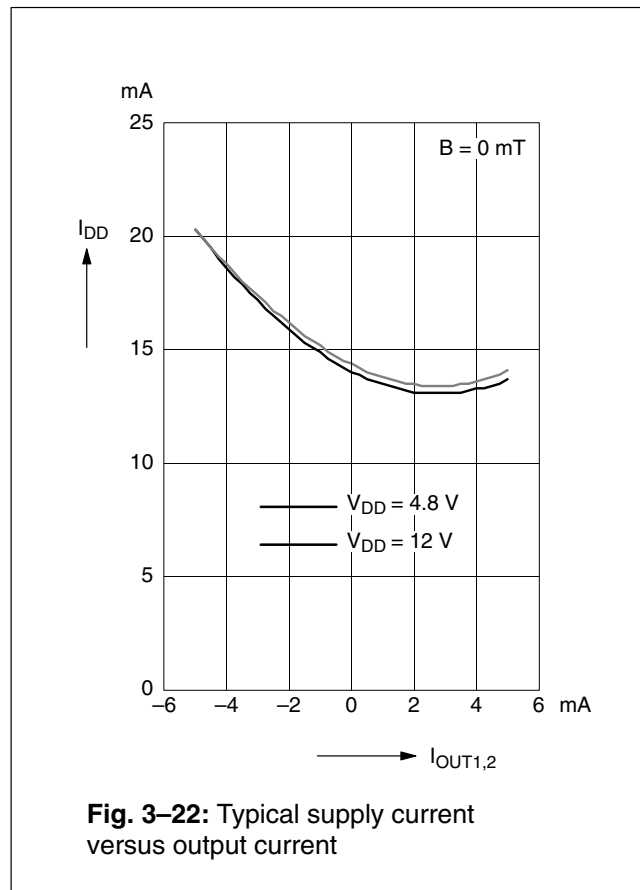
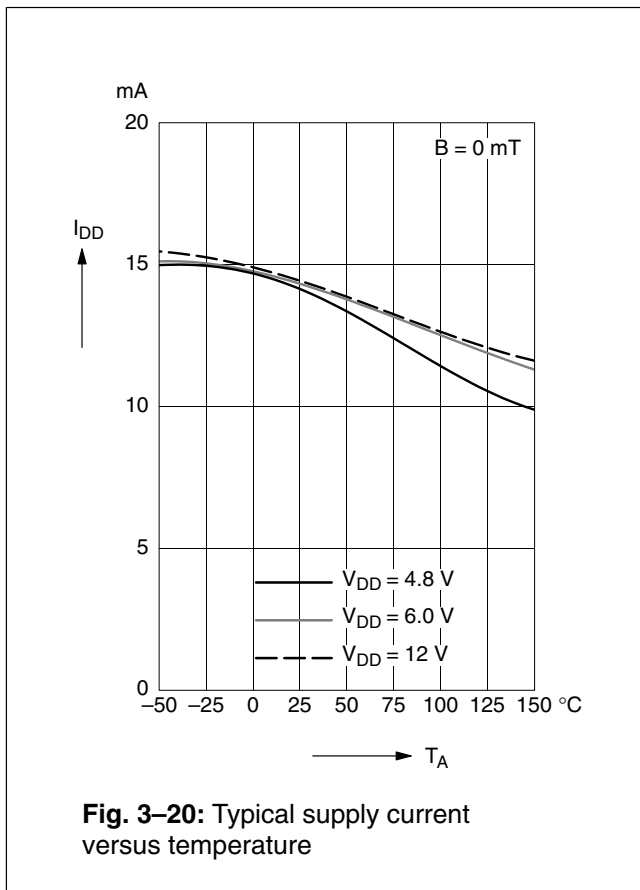
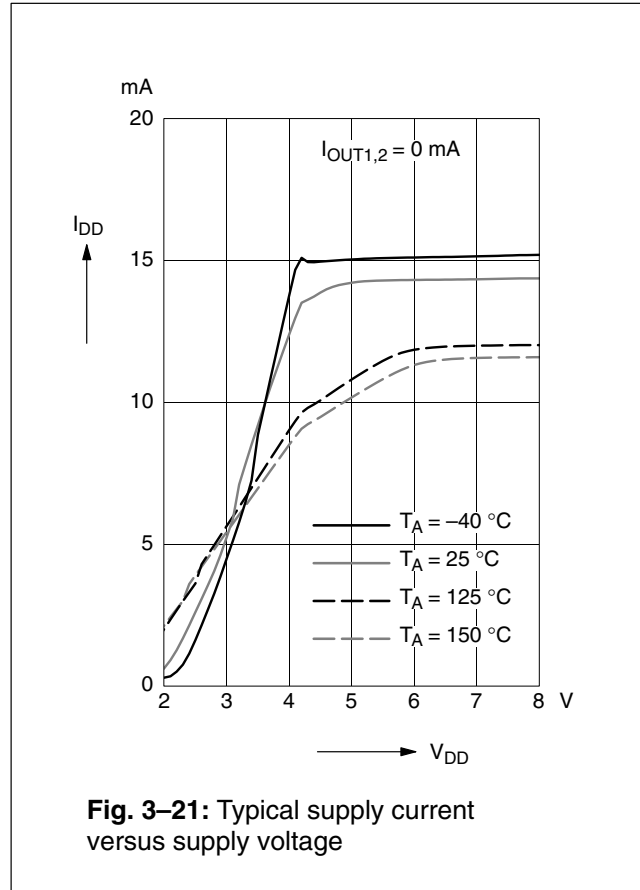
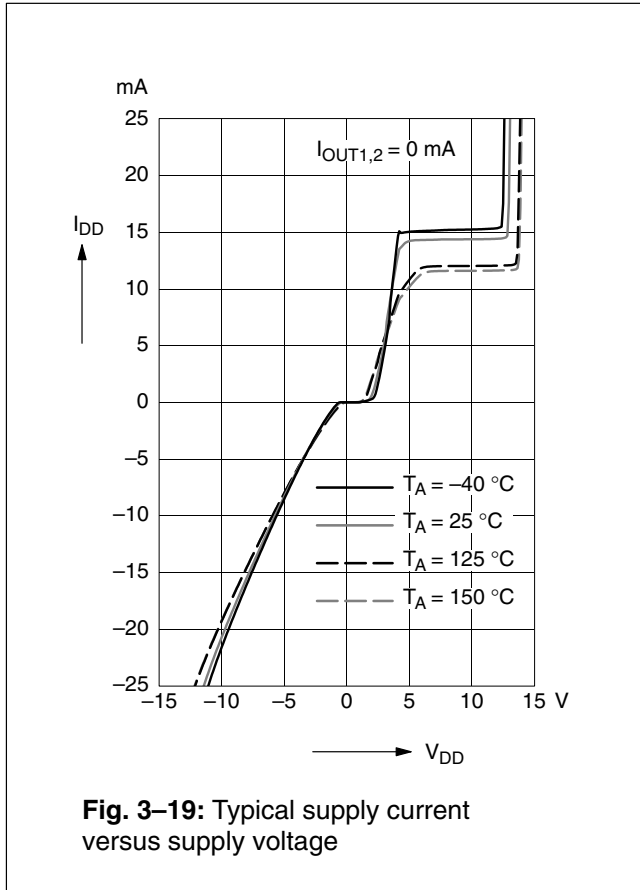


Fig. 3–18: Typical output AC voltage versus ambient temperature



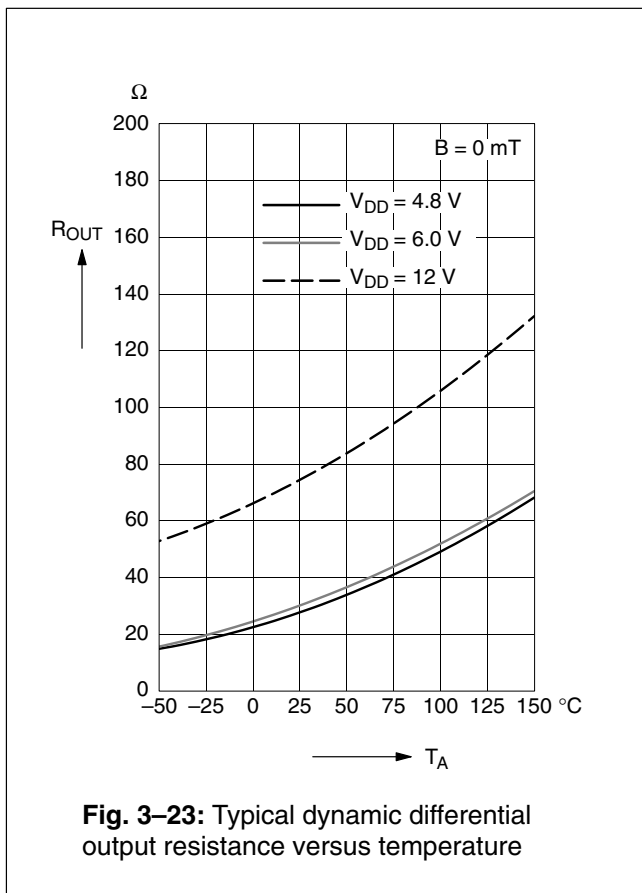


Fig. 3–23: Typical dynamic differential output resistance versus temperature

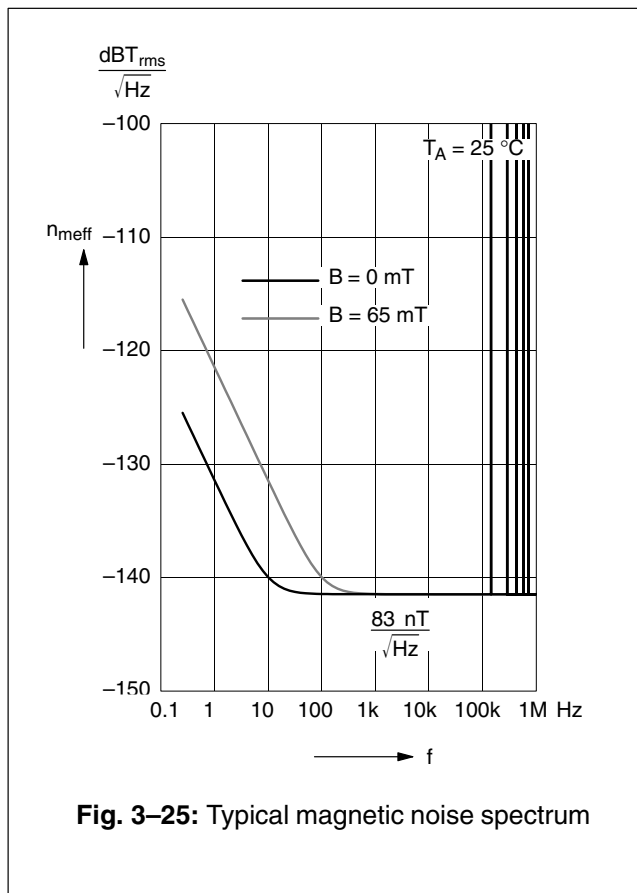


Fig. 3–25: Typical magnetic noise spectrum

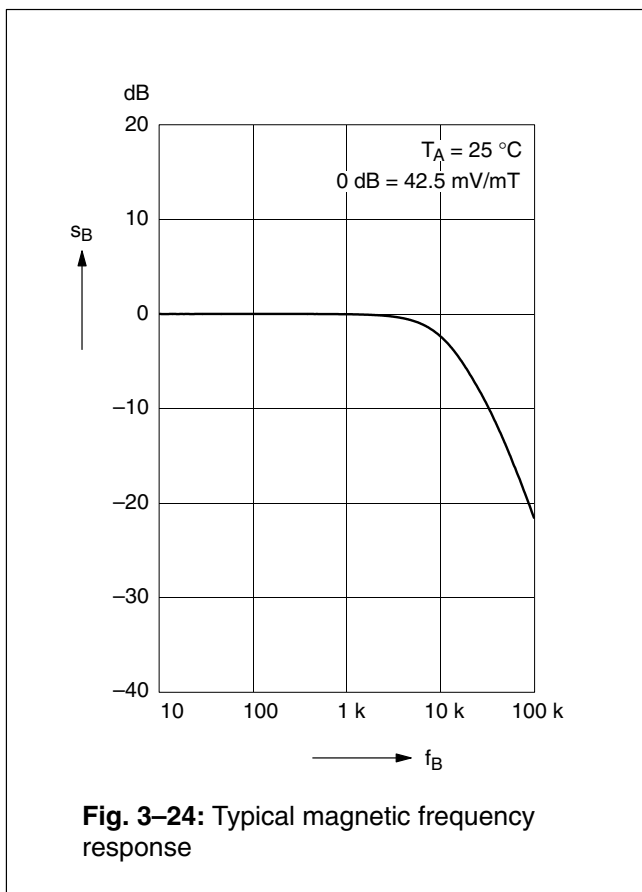


Fig. 3–24: Typical magnetic frequency response

4. Application Notes

Mechanical stress on the device surface (caused by the package of the sensor module or overmolding) can influence the sensor performance.

The parameter $V_{OUTACpp}$ (see Fig. 2–2) increases with external mechanical stress. This can cause linearity errors at the limits of the recommended operation conditions.

WARNING:

DO NOT USE THESE SENSORS IN LIFE-SUPPORTING SYSTEMS, AVIATION, AND AEROSPACE APPLICATIONS!

4.1. Ambient Temperature

Due to internal power dissipation, the temperature on the silicon chip (junction temperature T_J) is higher than the temperature outside the package (ambient temperature T_A).

$$T_J = T_A + \Delta T$$

At static conditions and continuous operation, the following equation applies:

$$\Delta T = I_{DD} * V_{DD} * R_{thJSB}$$

For all sensors, the junction temperature range T_J is specified. The maximum ambient temperature T_{Amax} can be calculated as:

$$T_{Amax} = T_{Jmax} - \Delta T$$

For typical values, use the typical parameters. For worst case calculation, use the max. parameters for I_{DD} and R_{th} , and the max. value for V_{DD} from the application.

4.2. EMC and ESD

Please contact Micronas for detailed information on EMC and ESD results.

4.3. Application Circuit

The normal integrating characteristics of a voltmeter is sufficient for signal filtering.

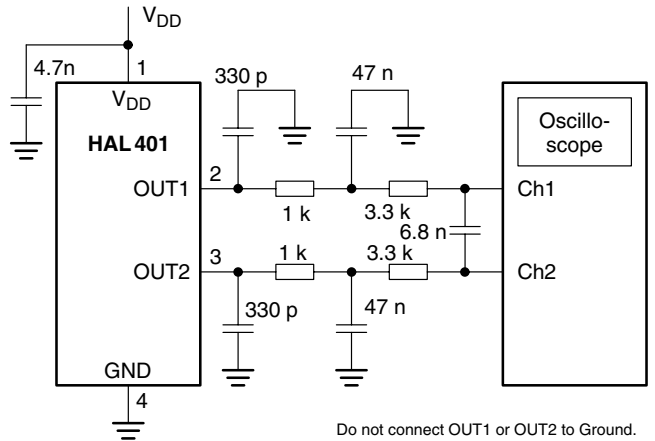


Fig. 4–1: Filtering of output signals

Display the difference between channel 1 and channel 2 to show the Hall voltage. Capacitors 4.7 nF and 330 pF for electromagnetic immunity are recommended.

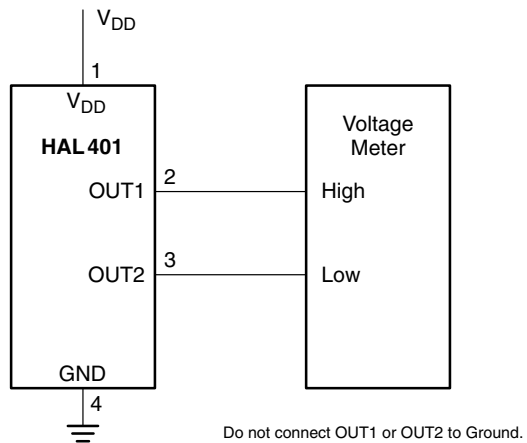
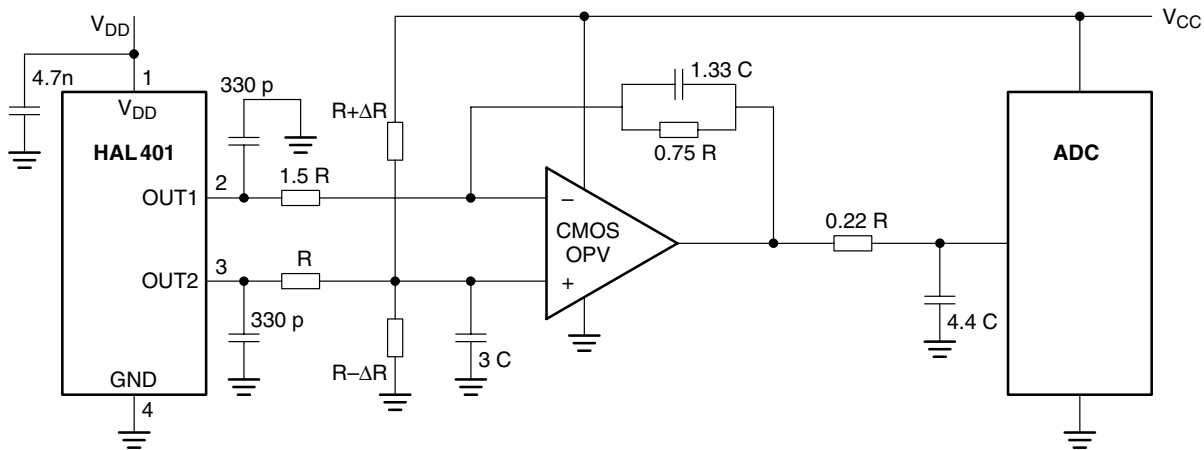
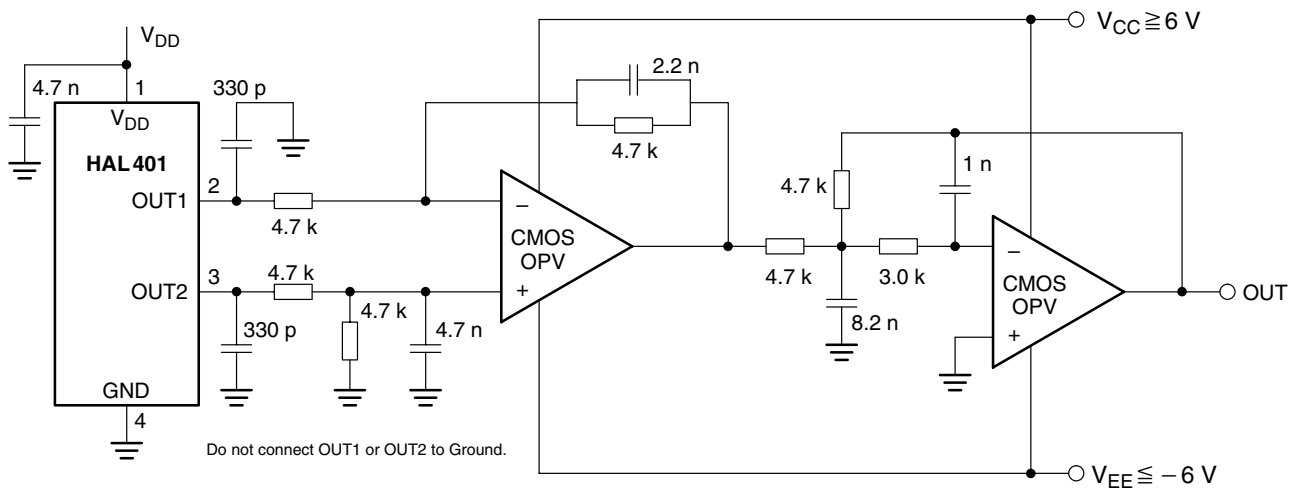


Fig. 4–2: Flux density measurement with voltmeter



Do not connect OUT1 or OUT2 to Ground.

Fig. 4-3: Differential HAL401 output to single-ended output
 $R = 10\text{ k}\Omega$, $C = 7.5\text{ nF}$, ΔR for offset adjustment, $BW_{-3dB} = 1.3\text{ kHz}$



Do not connect OUT1 or OUT2 to Ground.

Fig. 4-4: Differential HAL401 output to single-ended output (referenced to ground), filter – $BW_{-3dB} = 14.7\text{ kHz}$

5. Data Sheet History

1. Final Data Sheet: "HAL401 Linear Hall Effect Sensor IC", June 26, 2002, 6251-470-1DS.
First release of the final data sheet.
2. Final Data Sheet: "HAL401 Linear Hall Effect Sensor IC", Sept. 14, 2004, 6251-470-2DS.
Second release of the final data sheet.
Major changes:
 - new package diagram for SOT89-1

Micronas GmbH
Hans-Bunte-Strasse 19
D-79108 Freiburg (Germany)
P.O. Box 840
D-79008 Freiburg (Germany)
Tel. +49-761-517-0
Fax +49-761-517-2174
E-mail: docservice@micronas.com
Internet: www.micronas.com

Printed in Germany
Order No. 6251-470-2DS

All information and data contained in this data sheet are without any commitment, are not to be considered as an offer for conclusion of a contract, nor shall they be construed as to create any liability. Any new issue of this data sheet invalidates previous issues. Product availability and delivery are exclusively subject to our respective order confirmation form; the same applies to orders based on development samples delivered. By this publication, Micronas GmbH does not assume responsibility for patent infringements or other rights of third parties which may result from its use.

Further, Micronas GmbH reserves the right to revise this publication and to make changes to its content, at any time, without obligation to notify any person or entity of such revisions or changes.

No part of this publication may be reproduced, photocopied, stored on a retrieval system, or transmitted without the express written consent of Micronas GmbH.