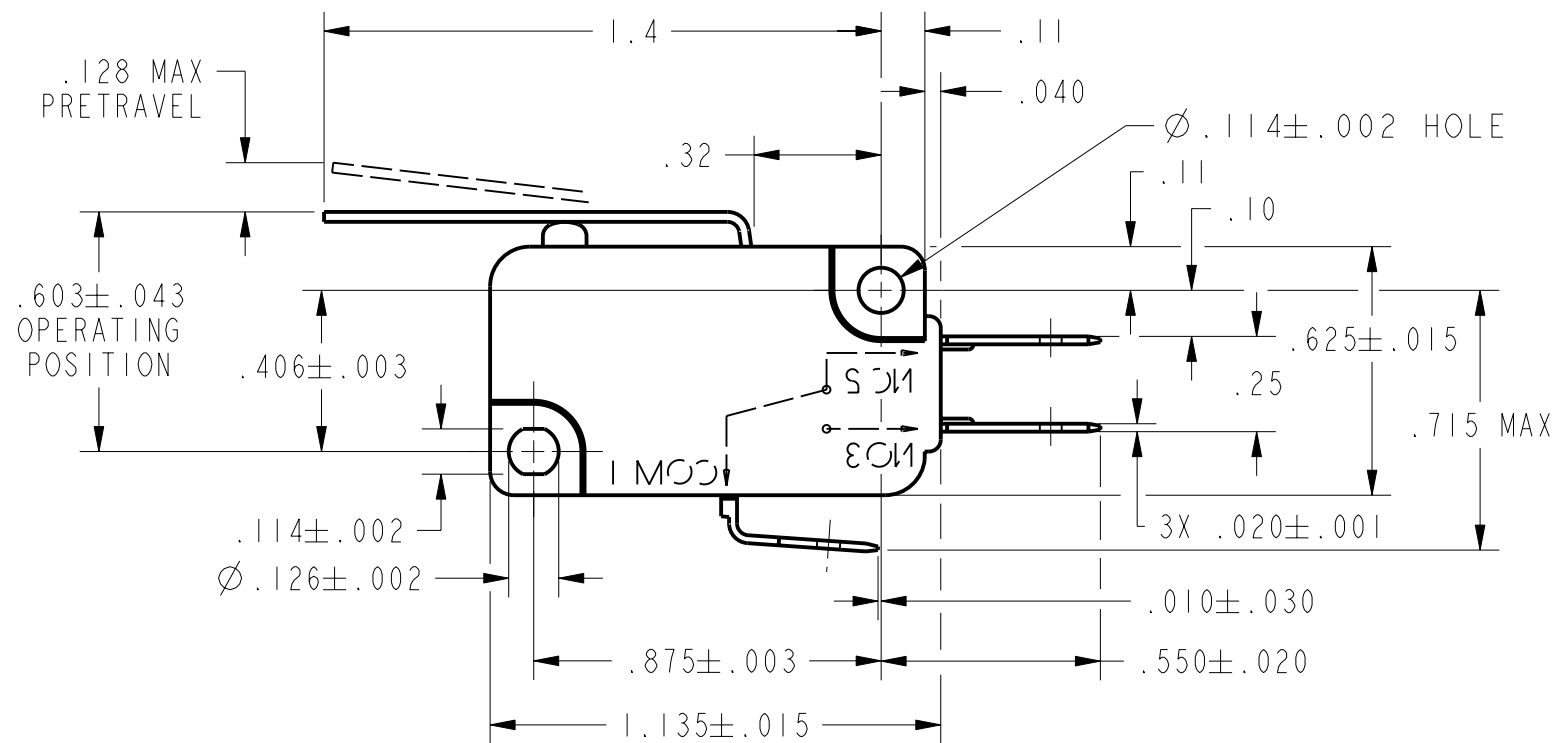
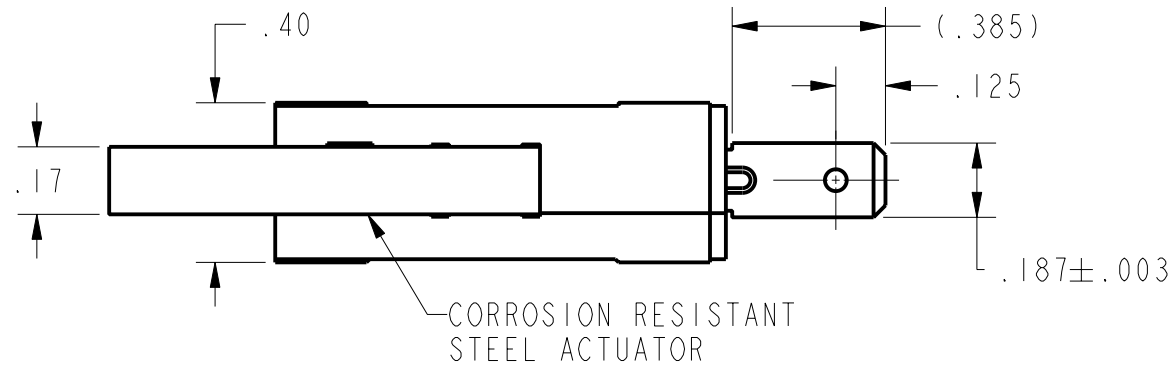


REV	DOCUMENT	CHANGED BY	CHECK
2	202161	DCS 18 JAN 01	SAV



CHARACTERISTICS	
OPERATING FORCE-----	82 GRAMS MAX
RELEASE FORCE-----	8 GRAMS MIN
DIFFERENTIAL TRAVEL-----	.028 MAX
OVERTRAVEL-----	.070 MIN
RELEASE TRAVEL-----	.017 MIN

ELECTRICAL DATA	
CONTACT ARRANGEMENT S P D T	
L156	
1/1A 1/3HP 125, 250 OR 277 VAC	
1/2A 125 VDC, 1/4A 250 VDC	
4A 125 VAC "L"	

UNLESS OTHERWISE SPECIFIED TOLERANCES ARE:			
	<input checked="" type="checkbox"/> US (inch) CUSTOMARY	<input type="checkbox"/> SI (mm) METRIC	
NO PLACE	X	±.040	±1
ONE PLACE	.X	±.030	±0,4
TWO PLACE	.XX	±.015	±0,15
THREE PLACE	.XXX	±.005	±
ANGLES		±	±
RAW MATERIAL-COMMERCIAL STANDARD			
THIRD ANGLE PROJECTION			

DRAWN	DCS	18 JAN 01
CHECK	SAV	18 JAN 01
THIS DRAWING COVERS A PROPRIETARY ITEM AND IS THE PROPERTY OF HONEYWELL SENSING AND CONTROL. THIS DRAWING IS NOT TO BE COPIED OR USED WITHOUT THE PERMISSION OF HONEYWELL.		
SIZE	DWG TYPE	DRAWING NAME
B	M	V7-1B19D8-022
PTC 2D	ASME Y14.5M-1994	

Honeywell Sensing and Control			
TITLE SWITCH - BASIC			
REV	DRAWING NAME		REV
2	V7-1B19D8-022		2
SCALE	2:1	WEIGHT	SHEET 1 OF 1