

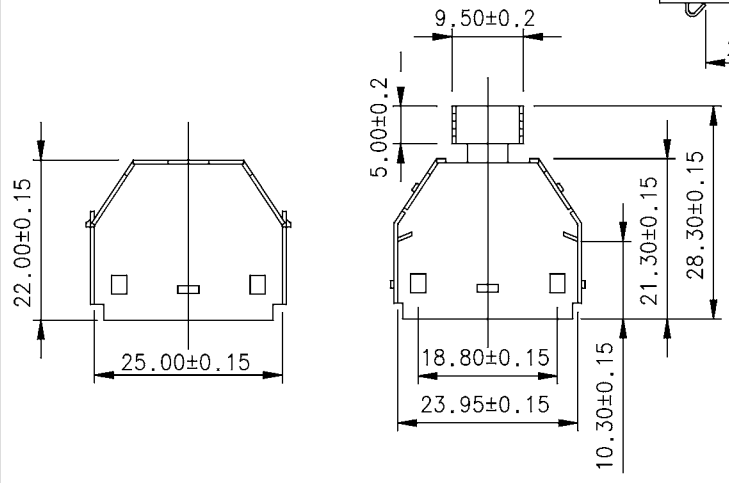
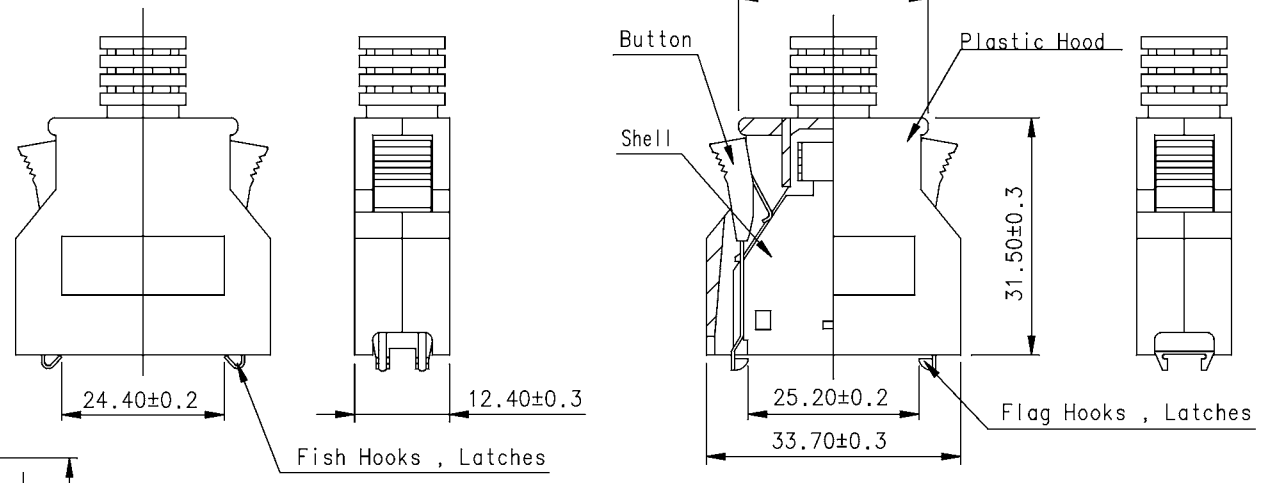
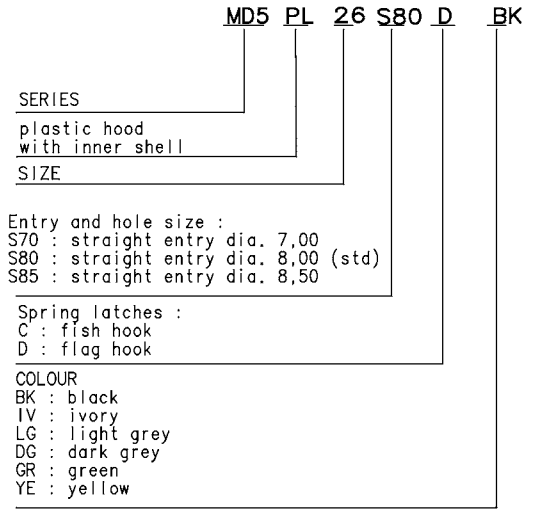
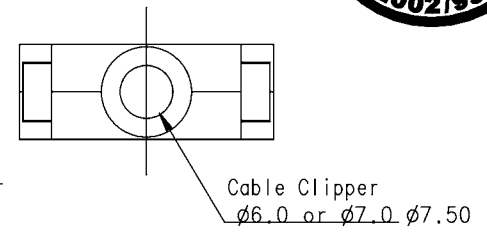
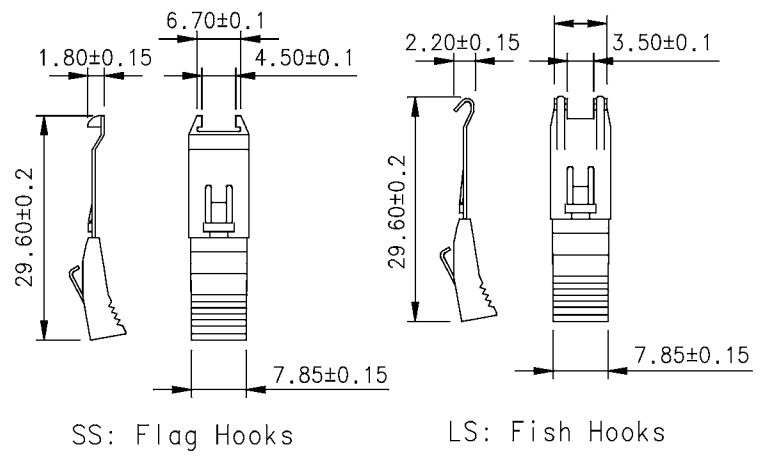


FEATURES:

- Plastic hood with spring latches
- Steel inner shell
- Full EMI/RFI shielded

MATERIALS:

- Hood: Plastic ABS PA-769
- Inner Shell: Steel , Nickel plated
- Latch: Phosphor bronze , Nickel plated
- Latch: Stainless steel



Amphenol Socapex		TOL. GEN.							
Usine de Dole		VOLUME PIECE							
		SURFACE PIECE							
		PROTECTION							
ECH. N/A ENS.		TRAITEMENT							
N SERIE		MATERIE							
DATE DU TIRAGE		DOSSIER		CLIENT	MODIFICATIONS	EXEC.	DATE	Approb	IND.
DESIGNATION		N INTERNE		A	CREATION PLAN	ATO	30/05 2005	ATO	A
MINI D SERIES		MD5 PL 26P							