

10 9 8 7 6 5 4 3 2 1

F

E

D

C

B

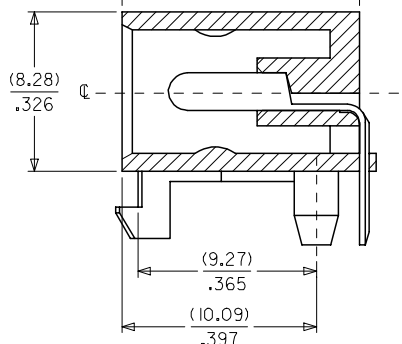
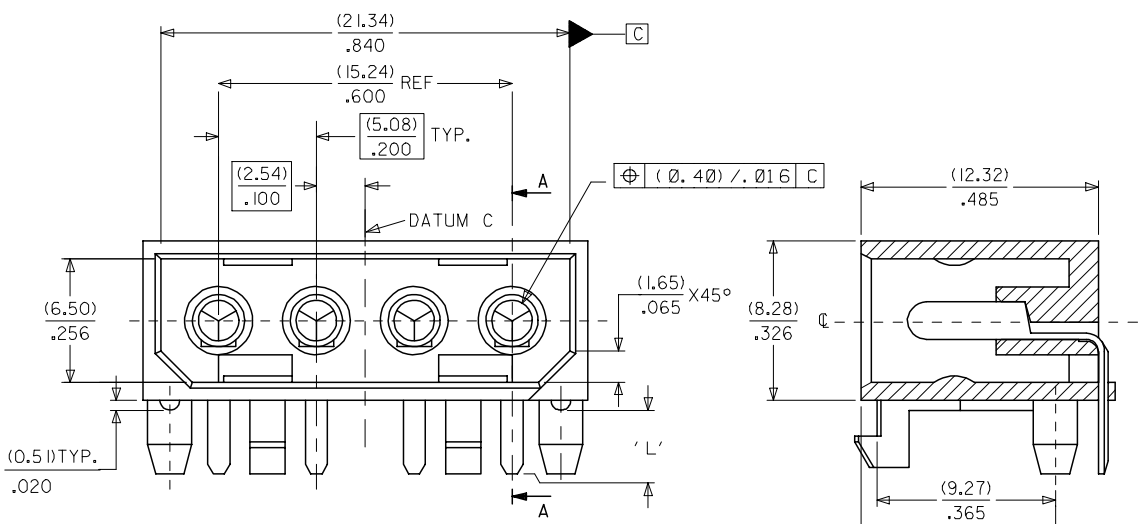
F

E

D

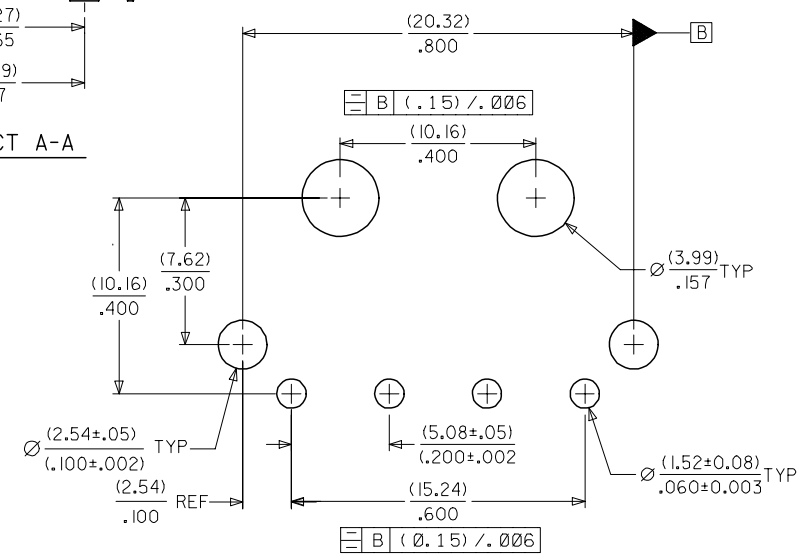
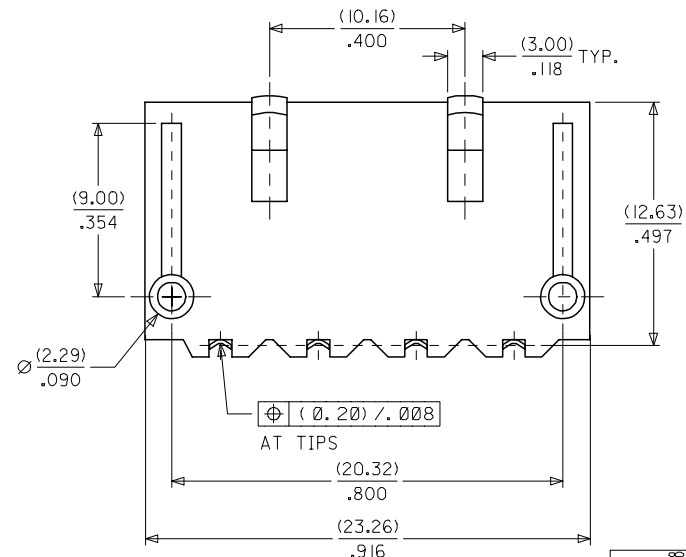
C

B



SECT A-A

- NOTES:
- 1) MATERIAL
HOUSING - NYLON, TYPE 6/6, 94V-2, COLOR - NATURAL
TERMINAL - PHOSPHOR BRONZE
PLATING - POSTPATE (0.00254)/.000100 MIN.
TIN/LEAD OR TIN OVER (0.00127)/.000050 MIN.
NICKEL OVERALL.
 - 2) PART INTENDED FOR USE WITH PLUG # 8981-4P AND
TERMINAL # 8980-R*
 - 3) PRODUCT SPEC 8981 APPLIES.



RECOMMENDED P.C. BOARD LAYOUT (TOL. +/- (.13)/.005)

MAT'L NO.	ENG. NO.	'L'	PLATING OPTION
A-8981-4R-1	15-24-4041	(3.56) .140	TIN/LEAD
AX-8981-4R-2	-----	(2.79) / .110	TIN/LEAD
AX-8981-4R-3	-----	(2.92) / .115	TIN/LEAD
A-8981-4R-1-LF	15-24-4441	(3.56) / .140	TIN

ADD ASSY P/N FOR LF
EC NO: S2005-0209
DRAWN:KMG0H
CHKD:PTLLM
APPR:SCLOW

QUALITY SYMBOLS
▽=0
▽=0

GENERAL TOLERANCES (UNLESS SPECIFIED)		DIMENSION STYLE	
		MM/IN	
	mm	INCH	DATE
4 PLACES	±---	±---	GRX IE 2001/05/02
3 PLACES	±---	±.008	CHECKED BY DATE
2 PLACES	±0.20	±---	KCL ING 2001/05/02
1 PLACE	±---	±---	APPROVED BY DATE
ANGULAR ± 3°		SKTOH	2001/05/03

DRAWN BY DATE
CHECKED BY DATE
APPROVED BY DATE
MATERIAL NO.
SKTOH 2001/05/03

SCALE NTS
DESIGN UNITS INCH
THIRD ANGLE PROJECTION
TITLE
SALES DRAWING
HEADER, 4 CKTS
RIGHT ANGLE MOUNT
MOLEX INCORPORATED
DOCUMENT NO. SD-8981-4R1
SHEET NO. 1 OF 1
THIS DRAWING CONTAINS INFORMATION THAT IS PROPRIETARY TO MOLEX INCORPORATED AND SHOULD NOT BE USED WITHOUT WRITTEN PERMISSION

9 8 7 6 5 4 3 2 1