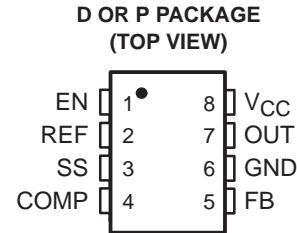


TPS6755 ADJUSTABLE INVERTING DC/DC CONVERTER

SLVS155A – NOVEMBER 1996 REVISED DECEMBER 1996

- 1-W Output ($V_{CC} \geq 4.5$ V)
- 2.7-V to 9-V Input Operating Range
- 78% Typical Efficiency
- 160-kHz Fixed-Frequency Current-Mode PWM Controller
- EN Input Inhibits Operation and Reduces Supply Current to 1 μ A
- Output Voltage Limited to $|V_O| \leq 12$ V – V_{CC}
- Soft Start
- 8-Pin SOIC and DIP Packages
- –40°C to 85°C Free-Air Temperature Range
- Pin-for-Pin Compatible with MAX755



description

The TPS6755 is an adjustable inverting dc/dc converter capable of operating from inputs as low as 2.7 V. The only external components required are an inductor, an output filter capacitor, an input filter capacitor, a reference filter capacitor, two resistors, and a Schottky rectifier. An enable input is provided to shut down the inverter when an output voltage is not needed. The typical supply current is 1.9 mA at no-load and is further reduced to 1- μ A when the enable input is low.

The device features a 160-kHz current-mode pulse-width-modulation (PWM) controller with a p-channel MOSFET power switch. The gate drive uses the converter output to reduce the die area needed to realize the 0.4- Ω MOSFET. Soft start is accomplished with the addition of one small capacitor at SS. A 1.22-V reference is available for external loads up to 125 μ A.

The TPS6755 is attractive for board-level dc/dc conversion in computer peripherals and in battery-powered equipment requiring high efficiency and low supply current.

Available in an 8-pin DIP or an 8-pin SOIC package, the TPS6755 operates over a free-air temperature range of –40°C to 85°C.

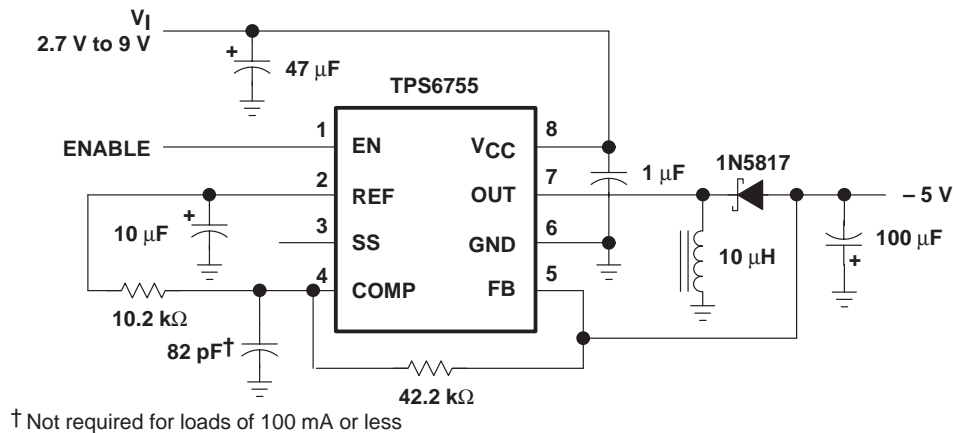


Figure 1. Typical Circuit



Please be aware that an important notice concerning availability, standard warranty, and use in critical applications of Texas Instruments semiconductor products and disclaimers thereto appears at the end of this data sheet.

PRODUCTION DATA information is current as of publication date. Products conform to specifications per the terms of Texas Instruments standard warranty. Production processing does not necessarily include testing of all parameters.

**TEXAS
INSTRUMENTS**

POST OFFICE BOX 655303 • DALLAS, TEXAS 75265

Copyright © 1996, Texas Instruments Incorporated

TPS6755 ADJUSTABLE INVERTING DC/DC CONVERTER

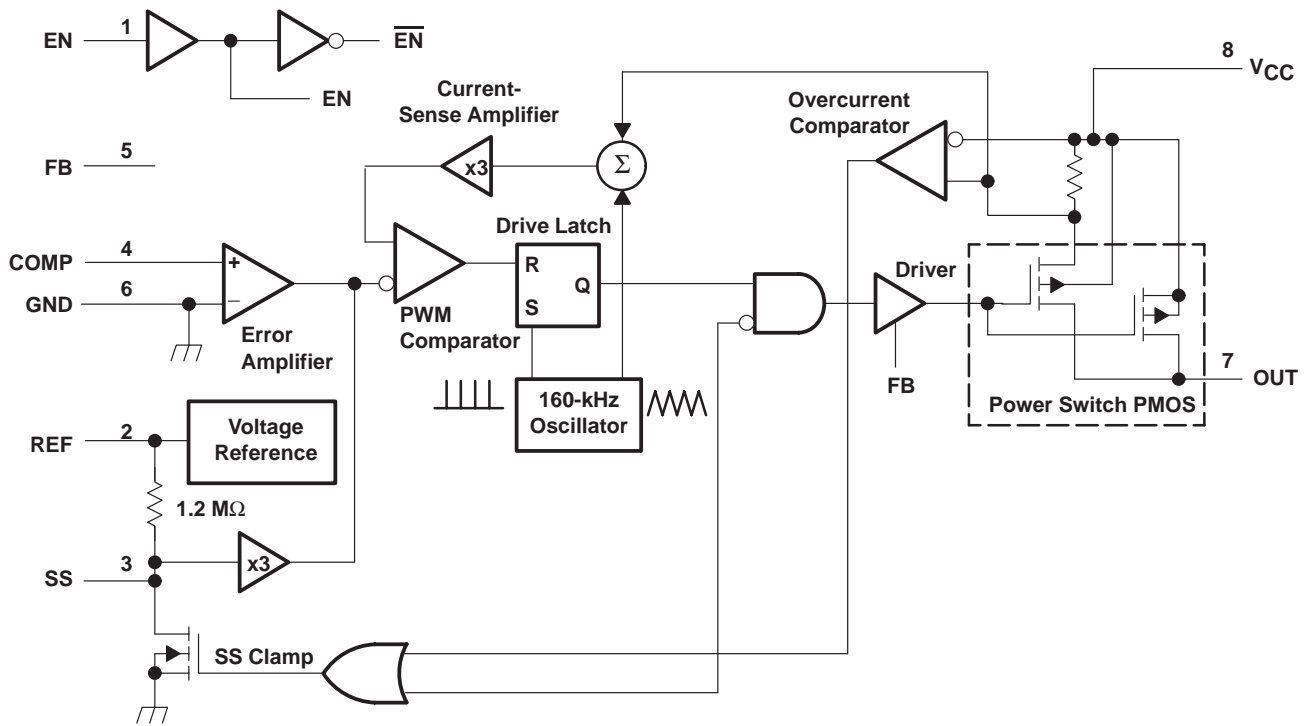
SLVS155A – NOVEMBER 1996 REVISED DECEMBER 1996

AVAILABLE OPTIONS

T _A	PACKAGED DEVICES		CHIP FORM (Y)
	SMALL OUTLINE (D)	PLASTIC DIP (P)	
-40°C to 85°C	TPS6755ID	TPS6755IP	TPS6755Y

The D package is also available taped and reeled (TPS6755IDR).

functional block diagram

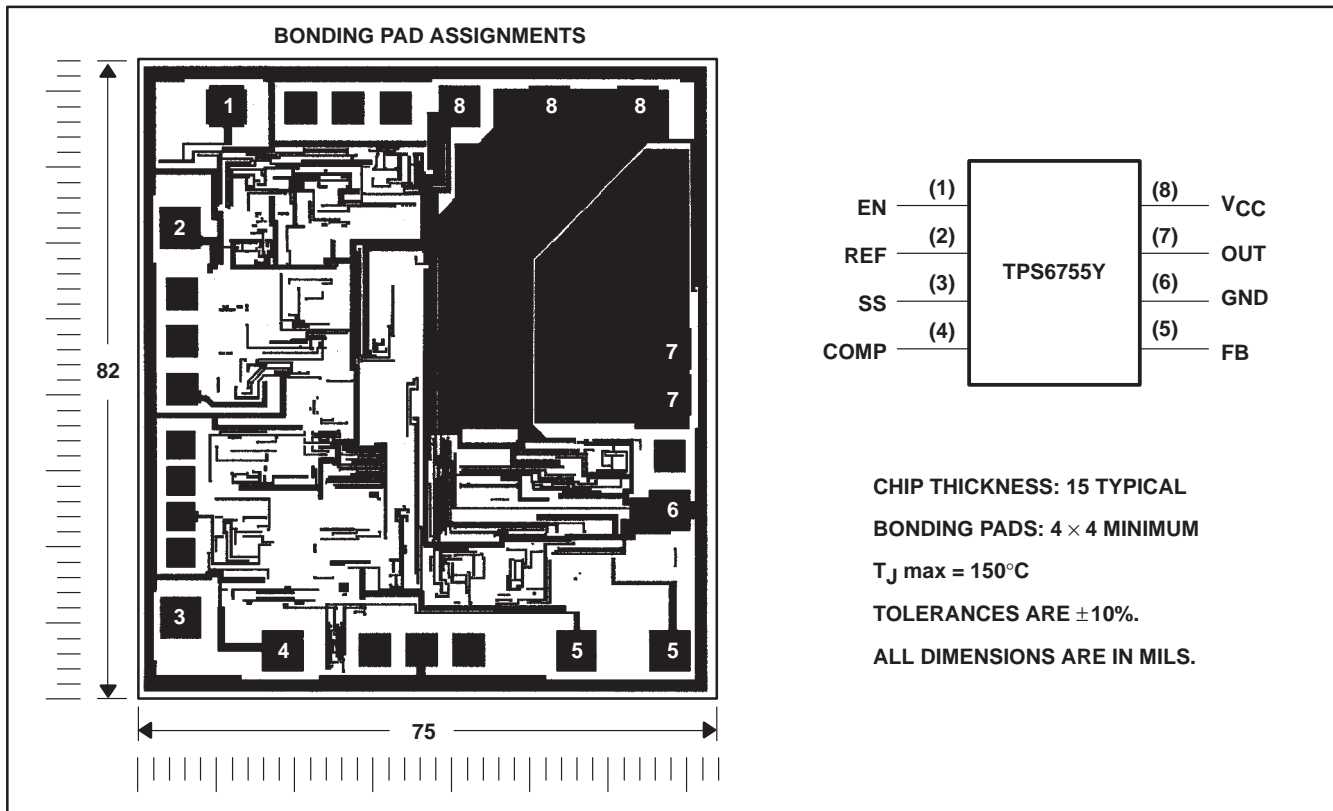


TPS6755 ADJUSTABLE INVERTING DC/DC CONVERTER

SLVS155A – NOVEMBER 1996 REVISED DECEMBER 1996

chip information

These chips, when properly assembled, display characteristics similar to the TPS6755. Thermal compression or ultrasonic bonding may be used on the doped aluminum bonding pads. The chips may be mounted with conductive epoxy or a gold-silicon preform.



Terminal Functions

TERMINAL NAME	NO.	DESCRIPTION
EN	1	Enable. $EN > 2 \text{ V}$ turns on the TPS6755. $EN \leq 0.4 \text{ V}$ turns it off.
REF	2	1.22-V reference voltage output. REF can source 125 μA for external loads.
SS	3	Soft start. A capacitor between SS and GND brings the output voltage up slowly.
COMP	4	Compensation. A capacitor to ground stabilizes the feedback loop.
FB	5	Feedback. FB connects to the dc/dc converter output.
GND	6	Ground
OUT	7	Power MOSFET drain connection
VCC	8	Supply-voltage input

TPS6755

ADJUSTABLE INVERTING DC/DC CONVERTER

SLVS155A – NOVEMBER 1996 REVISED DECEMBER 1996

detailed description

The following descriptions refer to the functional block diagram.

current-sense amplifier

The current-sense amplifier, which has a fixed gain of 3, amplifies the slope-compensated current-sense voltage (a summation of the voltage on the current-sense resistor and the oscillator ramp) and feeds it to the PWM comparator.

driver latch

The latch, which consists of a set/reset flip-flop and associated logic, controls the state of the power switch by turning the driver on and off. A high output from the latch turns the switch on; a low output turns it off. In normal operation the flip-flop is set high during the clock pulse, but gating keeps the latch output low until the clock pulse is over. The latch is reset when the PWM comparator output goes high.

enable (EN)

A logic low on EN puts the TPS6755 in shutdown mode. In shutdown, the output power switch, voltage reference, and other functions shut off and the supply current is reduced to 10 μA maximum. The soft-start capacitor is discharged through a 1.2-M Ω resistance and the output falls to zero volts.

error amplifier

The error amplifier is a high-gain differential amplifier used to regulate the converter output voltage. The amplifier generates an error signal, which is fed to the PWM comparator, by comparing a sample of the output voltage to the reference and amplifying the difference. The output sample is obtained from a resistive divider connected between FB and REF. FB is connected externally to the converter output, and the divider output is connected to the error-amplifier input. An 82-pF capacitor connected between COMP and GND is required to stabilize the control loop for loads greater than 100 mA.

oscillator and ramp generator

The oscillator circuit provides a 160-kHz clock to set the converter operating frequency, and a timing ramp for slope compensation. The clock waveform is a pulse, a few hundred nanoseconds in duration, that is used to limit the maximum power switch duty cycle to 95%. The timing ramp is summed with the current-sense signal at the input to the current-sense amplifier.

overcurrent comparator

The overcurrent comparator monitors the current in the power switch. The comparator trips and initiates a soft-start cycle if the power-switch current exceeds 2 A peak.

power switch

The power switch is a 0.4- Ω p-channel MOSFET with current sensing. The drain is connected to OUT and the source is connected to a current-sense resistor. The voltage across the resistor is proportional to current in the power switch and is tied to the overcurrent comparator and the current-sense amplifier. In normal operation, the power switch is turned on at the start of each clock cycle and turned off when the PWM comparator resets the drive latch.

PWM comparator

The comparator resets the drive latch and turns off the power switch whenever the slope-compensated current-sense signal from the current-sense amplifier exceeds the error signal.

reference

The 1.22-V reference is brought out on REF and can source 125- μA maximum to external loads. A 10- μF capacitor connected between REF and GND is recommended to minimize noise pickup.



POST OFFICE BOX 655303 • DALLAS, TEXAS 75265

TPS6755 ADJUSTABLE INVERTING DC/DC CONVERTER

SLVS155A – NOVEMBER 1996 REVISED DECEMBER 1996

SS clamp

The SS clamp circuit limits the signal level on error-amplifier output during start-up. The voltage on SS is amplified and used to override the error-amplifier output until the error-amplifier voltage rises above that output, at which point the error amplifier takes over. This prevents the input to the PWM comparator from exceeding its common-mode range (i.e., error amplifier output too high to be reached by the current ramp) by limiting the maximum voltage on the error-amplifier output during start-up.

Soft start causes the output voltage to increase to the regulation point at the controlled rate. The voltage on the charging soft-start capacitor gradually raises the clamp on the error amplifier output voltage, limiting surge currents at power up by increasing the current limit threshold on a cycle-by-cycle basis. A soft-start cycle is initiated when either the enable (EN) signal is switched high or an overcurrent fault condition triggers the discharge of the soft-start capacitor.

DISSIPATION RATING TABLE

PACKAGE	$T_A \leq 25^\circ\text{C}$ POWER RATING	DERATING FACTOR ABOVE $T_A = 25^\circ\text{C}$	$T_A = 70^\circ\text{C}$ POWER RATING	$T_A = 85^\circ\text{C}$ POWER RATING
D	725 mW	5.8 mW/ $^\circ\text{C}$	464 mW	377 mW
P	1175 mW	9.4 mW/ $^\circ\text{C}$	752 mW	611 mW

absolute maximum ratings over operating free-air temperature range (unless otherwise noted)†

Pin voltages: V_{CC} (see Note 1)	–0.3 V to 9 V
OUT to V_{CC}	12.5 V
FB (see Note 1)	25 V
SS, COMP, EN voltage range (see Note 1)	–0.3 V to $V_{CC} + 0.3$ V
Peak switch current	2 A
Reference current	2.5 mA
Continuous total power dissipation	See Dissipation Rating Table
Operating free-air temperature range, T_A	–40 $^\circ\text{C}$ to 85 $^\circ\text{C}$
Storage temperature range, T_{stg}	–65 $^\circ\text{C}$ to 150 $^\circ\text{C}$
Lead temperature 1,6mm (1/16 inch) from case for 10 s	260 $^\circ\text{C}$

† Stresses beyond those listed under “absolute maximum ratings” may cause permanent damage to the device. These are stress ratings only, and functional operation of the device at these or any other conditions beyond those indicated under “recommended operating conditions” is not implied. Exposure to absolute-maximum-rated conditions for extended periods may affect device reliability.

NOTE 1: All voltage values are with respect to network terminal ground.

recommended operating conditions

	MIN	NOM	MAX	UNIT
Supply voltage	2.7		9	V
Decoupling capacitor		1		μF
Input capacitor		47		μF
Reference capacitor		10		μF
Output capacitor		100		μF
Compensation capacitor		82		pF
Inductor		10		μH



TPS6755

ADJUSTABLE INVERTING DC/DC CONVERTER

SLVS155A – NOVEMBER 1996 REVISED DECEMBER 1996

electrical characteristics over recommended operating free-air temperature range, $V_{CC} = 5\text{ V}$, $I_O = 0$, $EN = 5\text{ V}$, typical values are at $T_A = 25^\circ\text{C}$ (unless otherwise noted) (refer to Figure 15)

PARAMETER	TEST CONDITION	MIN	TYP	MAX	UNIT
Supply current			1.9		mA
Standby current	$EN = 0.4\text{ V}$		1	10	μA
High-level input threshold voltage, EN				2	V
Low-level input threshold voltage, EN		0.4			V
Input current, EN		-1		1	μA
Impedance, COMP			7.5		$\text{k}\Omega$
Oscillator frequency			160		kHz
Reference voltage	$I_{O(\text{ref})} \leq 125\ \mu\text{A}$		1.22		V
Reference drift			50		ppm/ $^\circ\text{C}$
On resistance, OUT			0.4		Ω
Leakage current, OUT			20		nA
Startup voltage			2.7		V

performance characteristics over recommended operating free-air temperature range, typical values at $T_A = 25^\circ\text{C}$ (unless otherwise noted) (refer to Figure 15)

PARAMETER	TEST CONDITION	MIN	TYP	MAX	UNIT
Output voltage	$V_{CC} = 4\text{ V to }7\text{ V}$ $I_O = 0\text{ mA to }200\text{ mA}$	-4.75	-5	-5.25	V
Load current	$V_{CC} = 2.7\text{ V}$		125		mA
	$V_{CC} = 4\text{ V}$		175		
	$V_{CC} = 4.5\text{ V}$	200	270		
Line regulation	$V_{CC} = 4\text{ V}$		0.4%		
Load regulation	$I_O = 25\text{ mA to }200\text{ mA}$		0.4%		
Efficiency	$I_O = 100\text{ mA}$		78%		



APPLICATION INFORMATION

typical system waveforms

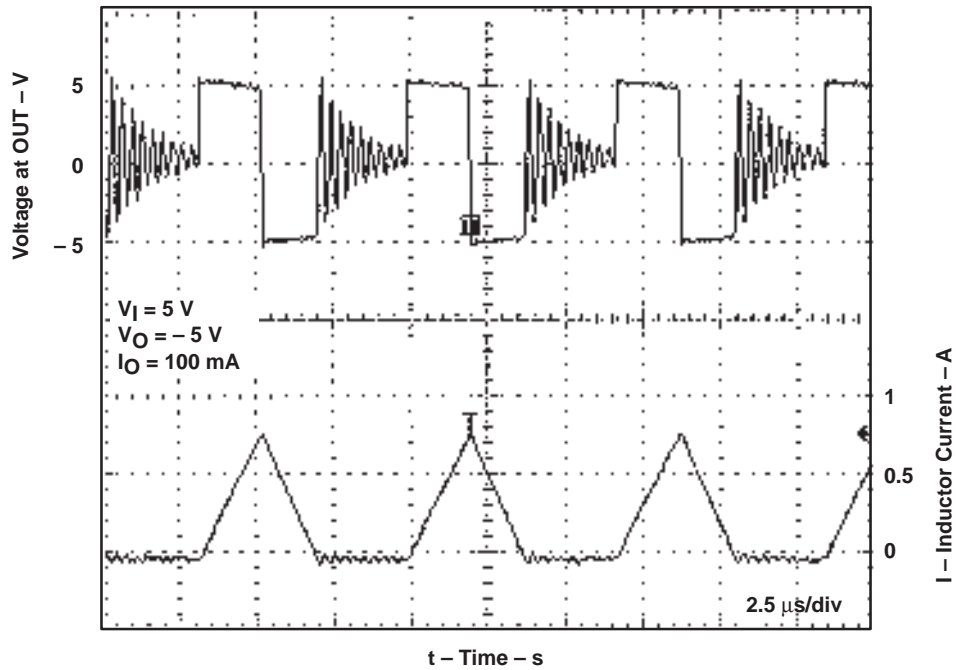


Figure 2. Switching Waveforms

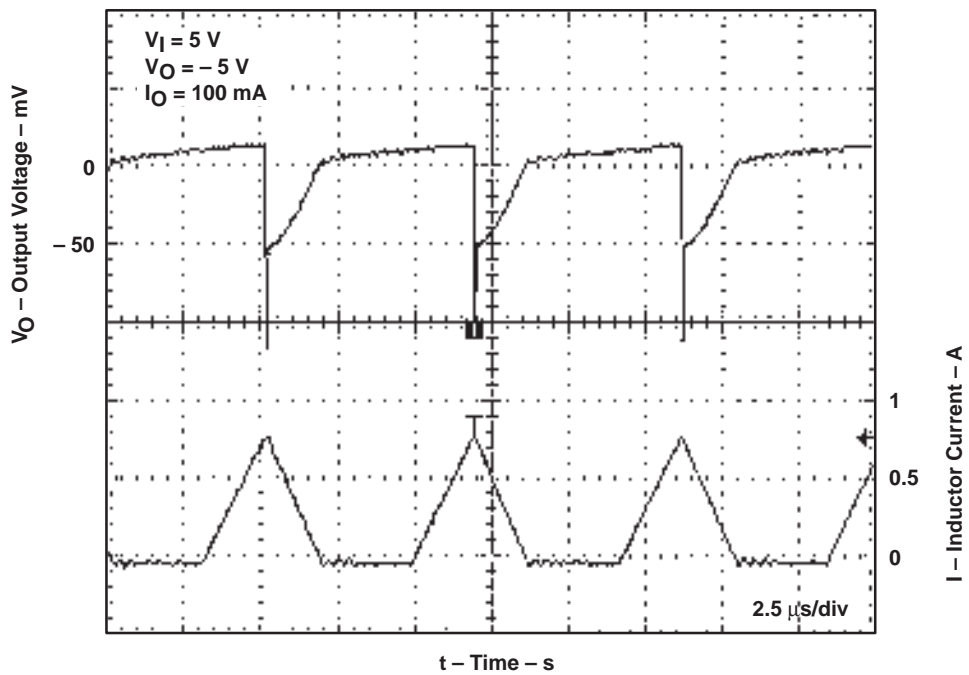


Figure 3. Output Voltage Ripple

TPS6755 ADJUSTABLE INVERTING DC/DC CONVERTER

SLVS155A – NOVEMBER 1996 REVISED DECEMBER 1996

APPLICATION INFORMATION

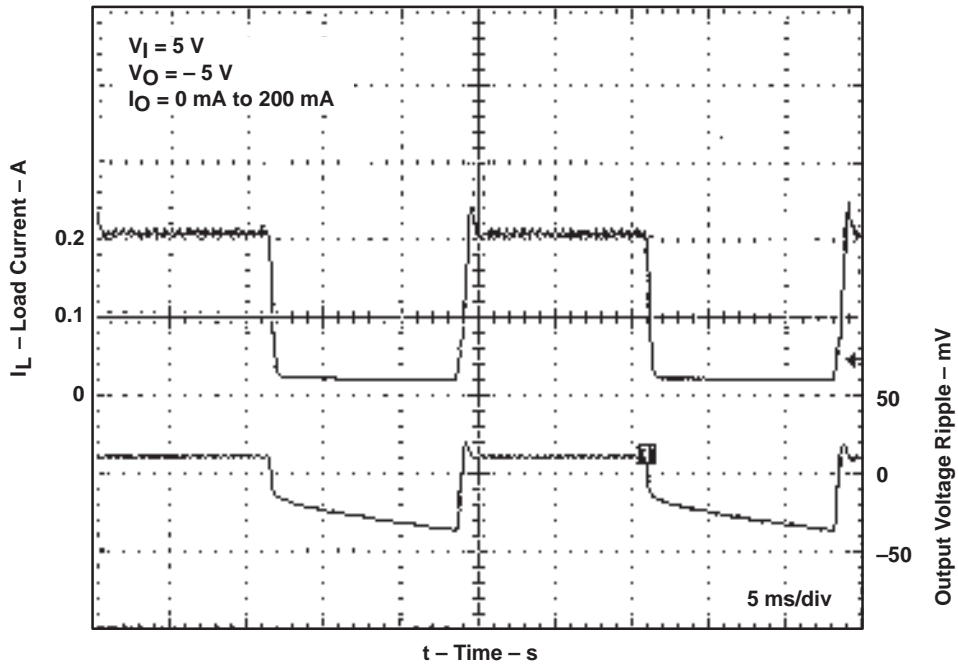


Figure 4. Load Transient Response

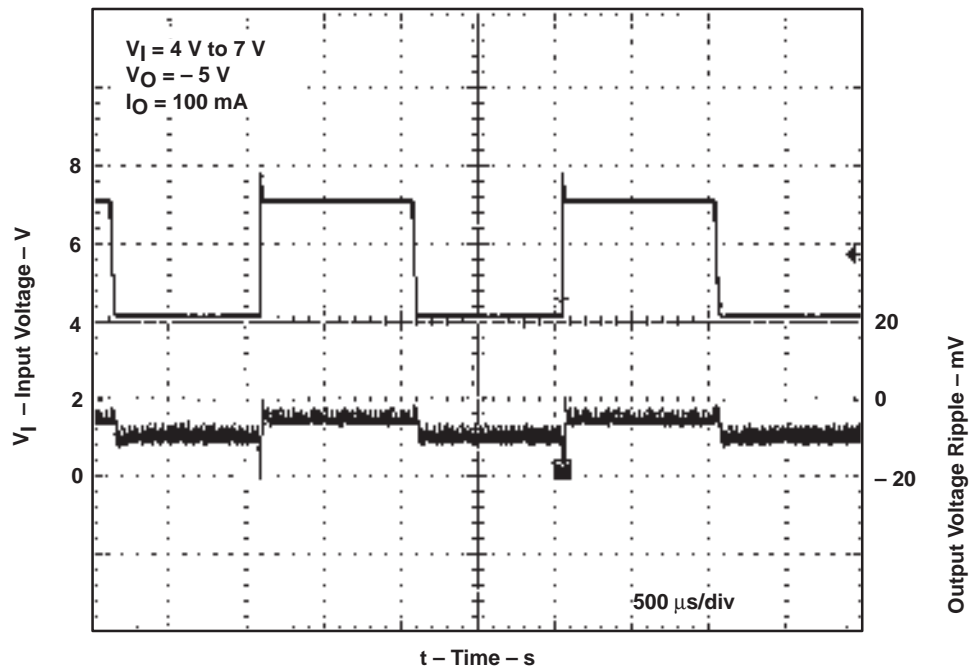


Figure 5. Line Transient Response

APPLICATION INFORMATION

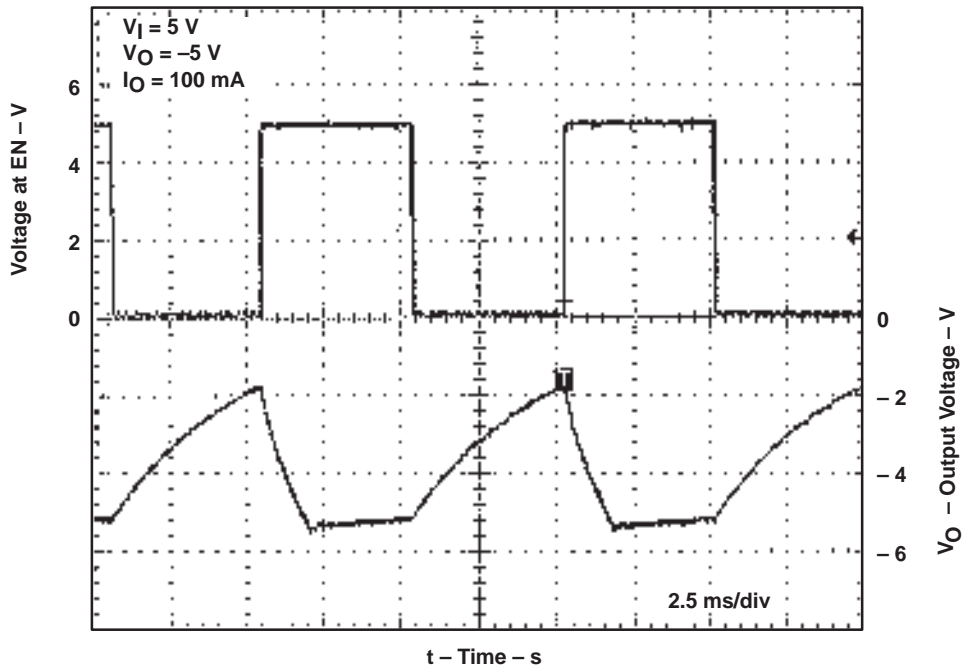


Figure 6. Enable Response Time

system typical characteristics

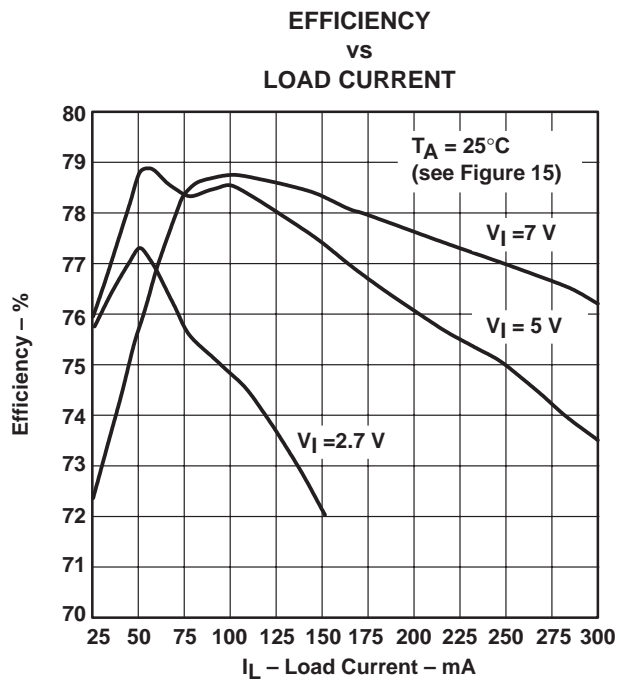


Figure 7

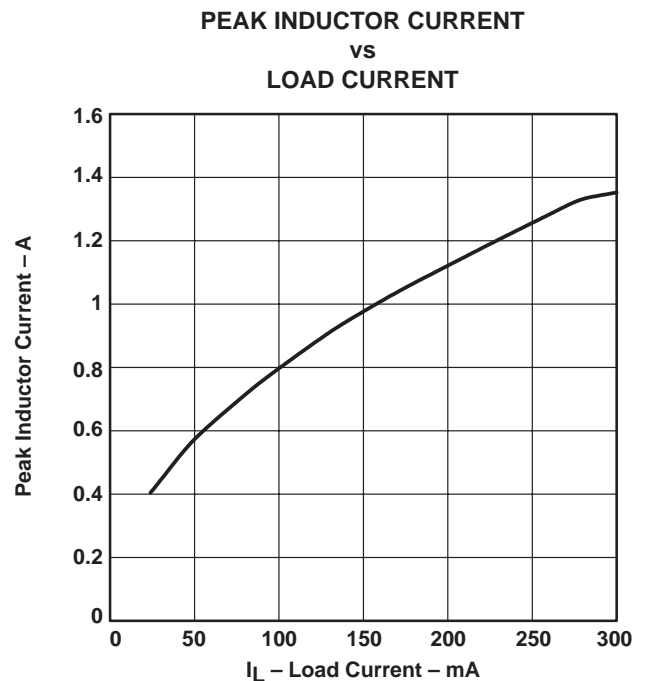


Figure 8

TPS6755 ADJUSTABLE INVERTING DC/DC CONVERTER

SLVS155A – NOVEMBER 1996 REVISED DECEMBER 1996

APPLICATION INFORMATION

**NO-LOAD SUPPLY CURRENT
vs
SUPPLY VOLTAGE**

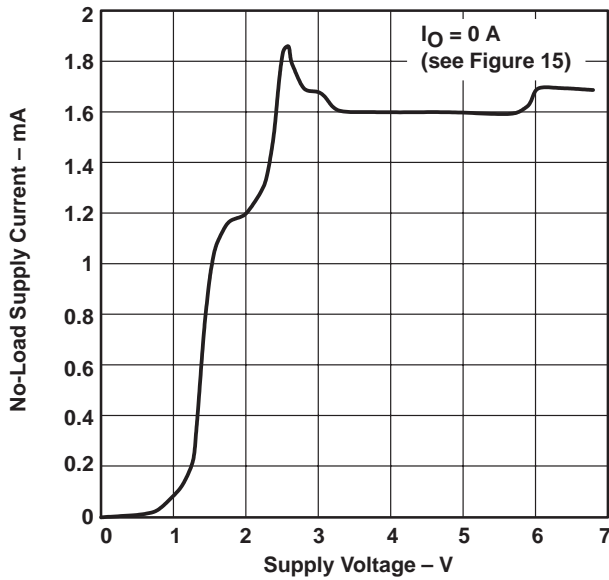


Figure 9

**MAXIMUM LOAD CURRENT
vs
SUPPLY VOLTAGE**

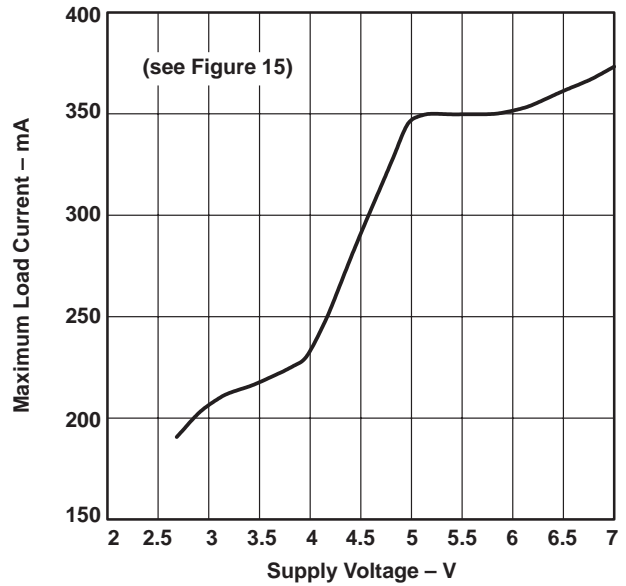


Figure 10

**OSCILLATOR FREQUENCY
vs
TEMPERATURE**

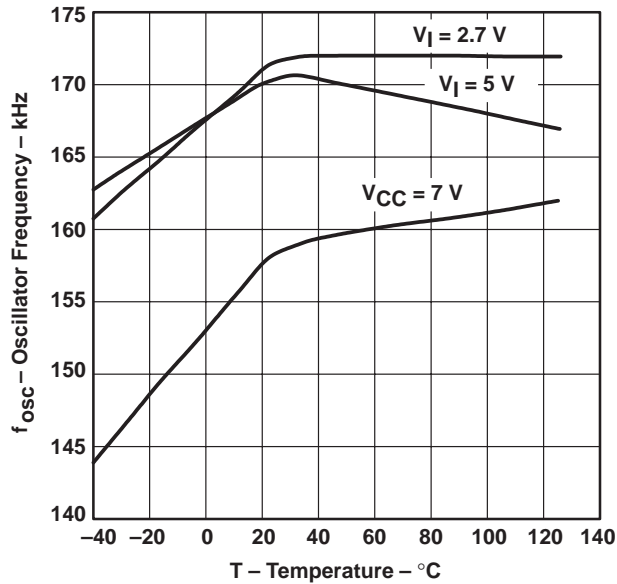


Figure 11

**SWITCH CURRENT LIMIT
vs
SOFT-START VOLTAGE**

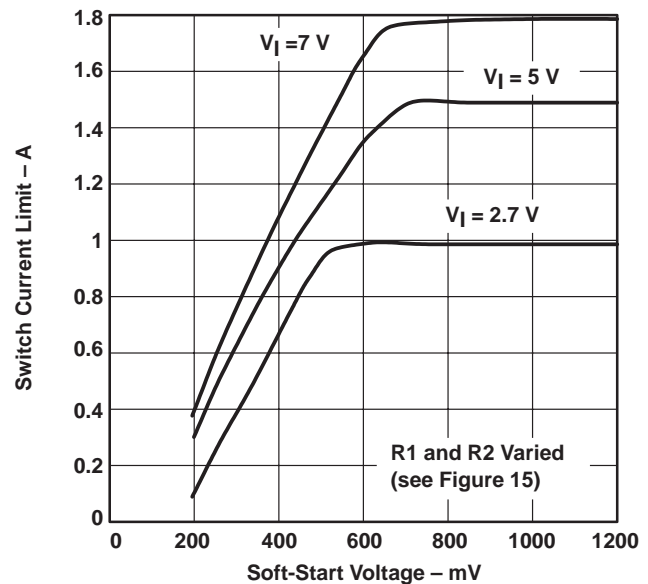


Figure 12

APPLICATION INFORMATION

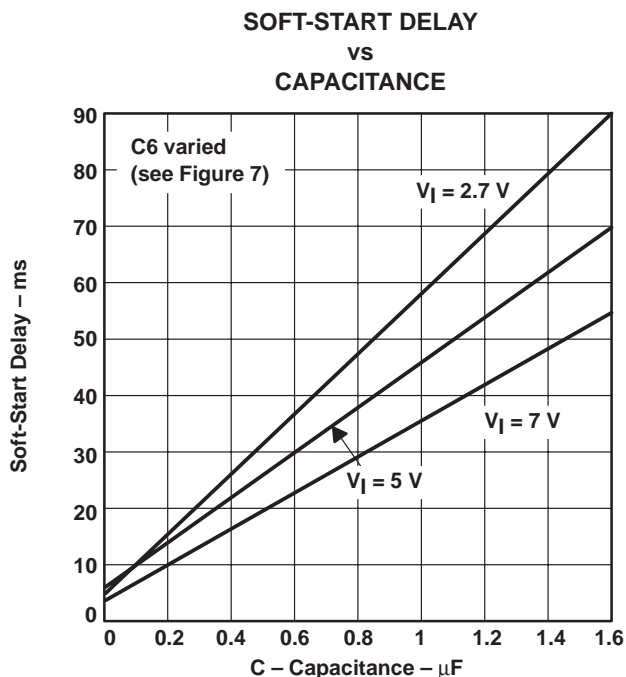


Figure 13

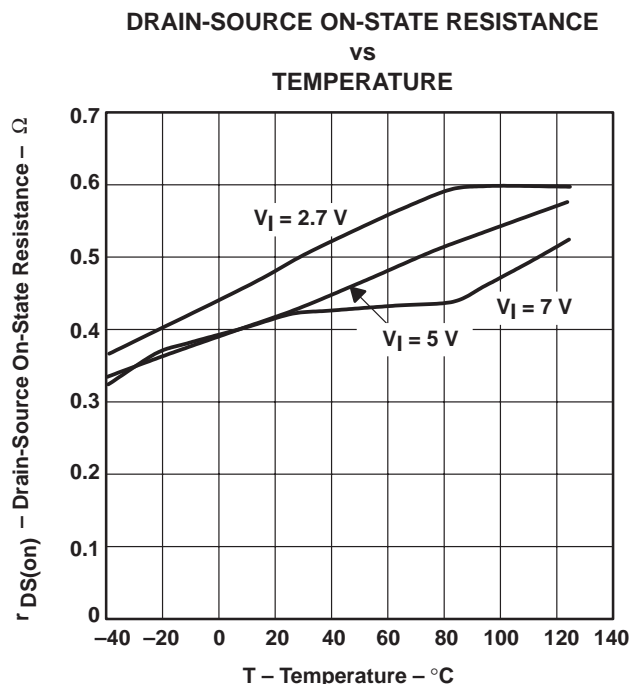


Figure 14

The TPS6755 operates in the voltage-inverting circuit, shown in Figure 15, which can generate an output. The circuit is ideal for applications that require a negative polarity voltage on the output with respect to the input ground, and for energy management systems. The TPS6755 can be placed in a shutdown mode (1-μA quiescent current) by forcing EN low.

soft start

The soft-start capacitor provides an orderly start-up of the converter by slowly increasing the switch current limit during power-up. The soft-start timing is controlled by the SS capacitance (see Figure 13 for the capacitance value corresponding to the desired delay time). The switch current limit is proportional to the voltage applied to SS, which is internally pulled to REF by a 1.2-MΩ resistor. SS can be externally pulled lower than REF to limit the switch current. A UVLO condition or an overcurrent condition initiates an SS cycle by discharging the SS capacitor to ground through an internal transistor. A minimum of a 10-nF capacitor must be connected to SS to current limit correctly.

inductor selection

The standard 10-μH inductor required by the TPS6755 must have a saturation current greater than the peak switch current at the desired maximum load. Operation over the full voltage range and current range is assured by the 10-μH inductor. To determine the required inductor saturation level, refer to the typical operating characteristics graph for peak inductor current versus load current (see Figure 8).

TPS6755

ADJUSTABLE INVERTING DC/DC CONVERTER

SLVS155A – NOVEMBER 1996 REVISED DECEMBER 1996

APPLICATION INFORMATION

output filter capacitor

A low equivalent series resistance (ESR) output filter capacitor is necessary to minimize the output-ripple voltage. An ESR of 100 mΩ limits the output ripple to 90 mV or less for output loads up to 200 mA.

rectifier

A Schottky diode or high-speed silicon rectifier should be used with a maximum continuous current rating of 1 A for operation up to full load.

output ripple filtering

A low-pass filter may be added to the converter output to reduce the output voltage ripple (see Figure 15). The LC filter has a cutoff frequency of 7.2 kHz. The inductor filter must have a low resistance to avoid large output voltage drops. The output voltage ripple is reduced to 5 mV when the LC output filter is used. FB must be connected to the output node before the connection for the low-pass filter.

adjustable output voltage

The output voltage of the TPS6755 is limited to $|V_O| \leq 12\text{ V} - V_{CC}$ and is set by two external resistors, R4 and R5 (see Figure 15). R5 can be set to any value between 10 kΩ to 20 kΩ, and R4 is calculated using the following formula: $R4 = |V_O| R5 / 1.22\text{ V}$. These resistors form a voltage divider between FB, COMP, and REF. The converter adjusts the output such that COMP level is at GND.

printed circuit board layout

A ground plane is recommended in a printed circuit board (PCB) layout to ensure quiet operation. Attention should be given to minimizing the lengths of the switching loops. Bypass capacitors should be placed as close to the TPS6755 as possible to prevent instability and noise pickup. V_{CC} and GND should be bypassed directly with a 1-μF ceramic capacitor and a large bypass capacitor (e.g. 47 μF) to maximize noise immunity. The TPS6755 should not be used with IC sockets, wire-wrap prototype boards, or other constructions that are susceptible to noise pick-up.



TPS6755 ADJUSTABLE INVERTING DC/DC CONVERTER

SLVS155A – NOVEMBER 1996 REVISED DECEMBER 1996

APPLICATION INFORMATION

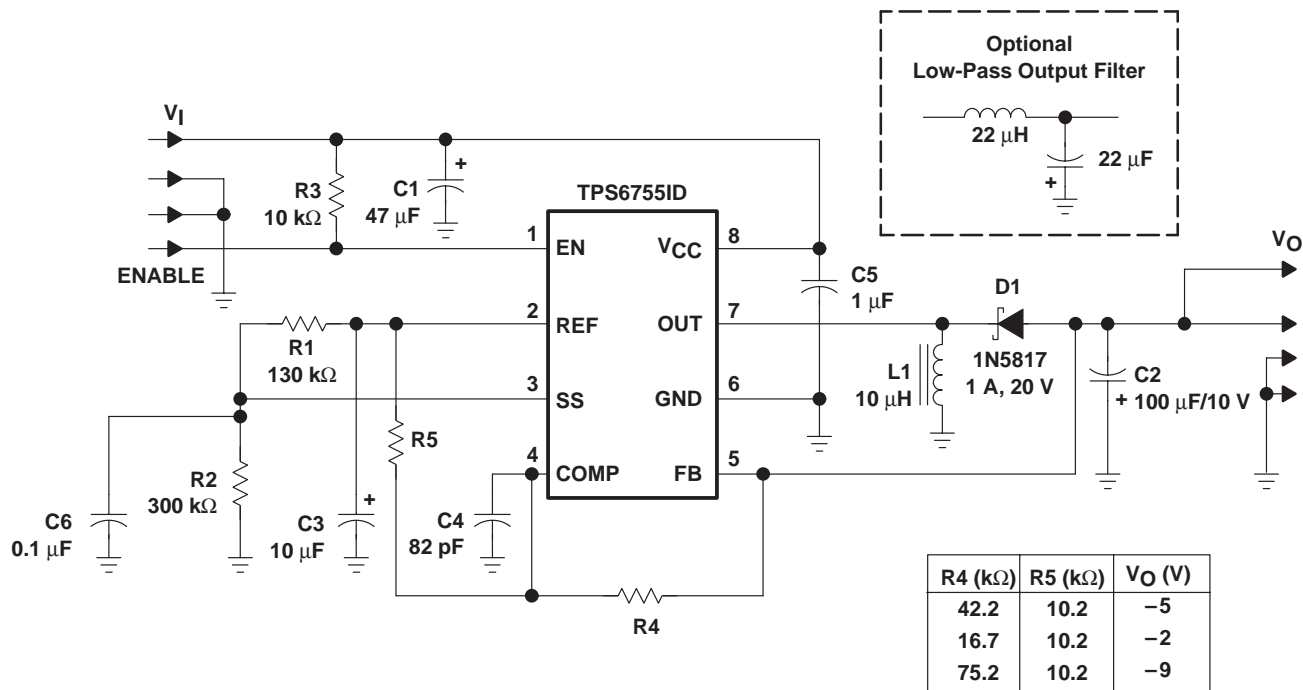


Figure 15. Application Circuit

Table 1. Bill of Materials

QTY	DESCRIPTION			REF DES	MANUFACTURER PART NO.	MANUFACTURER	
1	IC	Power supply			U1	TPS6755ID	Texas Instruments
1	Diode	Schottky			D1	1N5817GI	General Instrument
1	Inductor	10 μH			L1	DO1608C-103 CD54-100	Coilcraft, Sumida
1	Capacitor	47 μF tantalum	16 V	7343	C1	593D476X9016D2W TPSD476K016R0100	Sprague, AVX
1	Capacitor	100 μF tantalum	10 V	7343	C2	593D107X9010D2W TPSD107D016R0100	Sprague, AVX
1	Capacitor	10 μF tantalum	10 V	3528	C3	293D106X0010B2W 267E 1002 106	Sprague, MATSUO
1	Capacitor	82 pF ceramic	50 V	0805	C4		
1	Capacitor	1 μF ceramic	16 V	1206	C5		
1	Capacitor	0.1 μF ceramic	50 V	0805	C6		
1	Resistor	130 kΩ			R1		
1	Resistor	300 kΩ			R2		
1	Resistor	10 kΩ			R3		
1	Resistor	42.2 kΩ	1%	0805	R4		
1	Resistor	10.2 kΩ	1%	0805	R5		

TPS6755 ADJUSTABLE INVERTING DC/DC CONVERTER

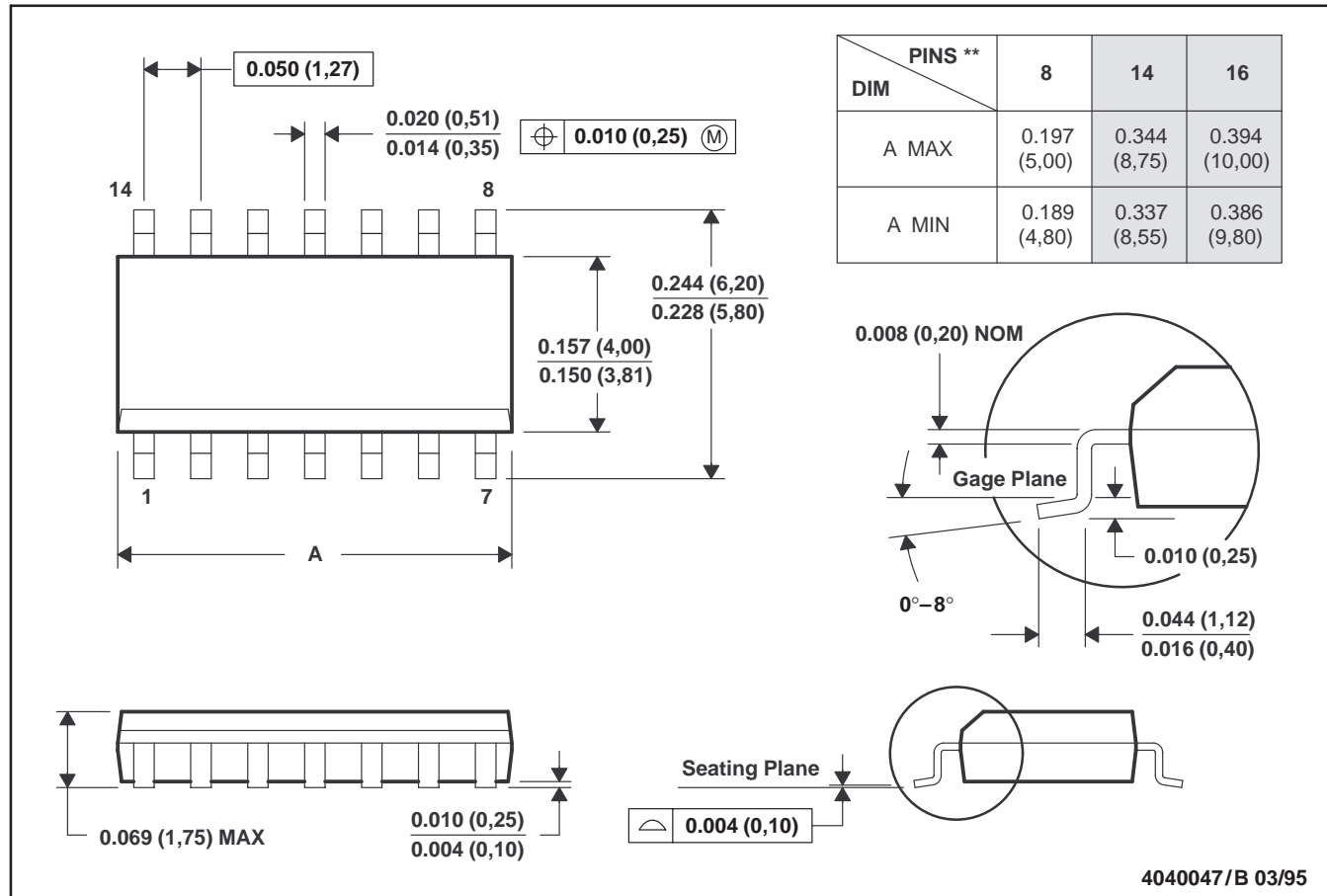
SLVS155A – NOVEMBER 1996 REVISED DECEMBER 1996

MECHANICAL DATA

D (R-PDSO-G**)

PLASTIC SMALL-OUTLINE PACKAGE

14 PIN SHOWN



- NOTES:
- A. All linear dimensions are in inches (millimeters).
 - B. This drawing is subject to change without notice.
 - C. Body dimensions do not include mold flash or protrusion, not to exceed 0.006 (0,15).
 - D. Four center pins are connected to die mount pad.
 - E. Falls within JEDEC MS-012

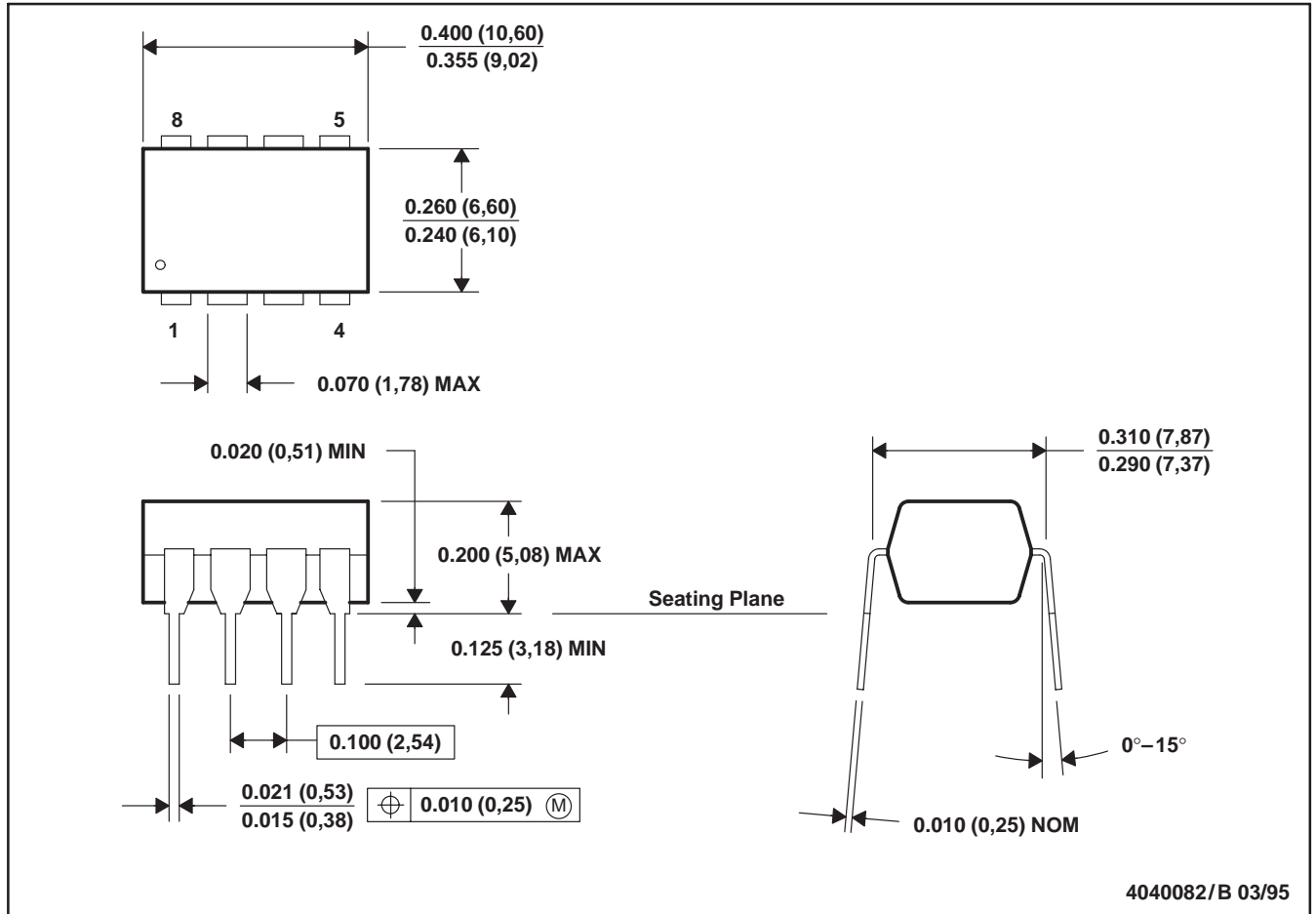
TPS6755 ADJUSTABLE INVERTING DC/DC CONVERTER

SLVS155A – NOVEMBER 1996 REVISED DECEMBER 1996

MECHANICAL DATA

P (R-PDIP-T8)

PLASTIC DUAL-IN-LINE PACKAGE



- NOTES: A. All linear dimensions are in inches (millimeters).
 B. This drawing is subject to change without notice.
 C. Falls within JEDEC MS-001

PACKAGING INFORMATION

Orderable Device	Status ⁽¹⁾	Package Type	Package Drawing	Pins	Package Qty	Eco Plan ⁽²⁾	Lead/Ball Finish	MSL Peak Temp ⁽³⁾
TPS6755ID	ACTIVE	SOIC	D	8	75	Green (RoHS & no Sb/Br)	CU NIPDAU	Level-1-260C-UNLIM
TPS6755IDG4	ACTIVE	SOIC	D	8	75	Green (RoHS & no Sb/Br)	CU NIPDAU	Level-1-260C-UNLIM
TPS6755IDR	ACTIVE	SOIC	D	8	2500	Green (RoHS & no Sb/Br)	CU NIPDAU	Level-1-260C-UNLIM
TPS6755IDRG4	ACTIVE	SOIC	D	8	2500	Green (RoHS & no Sb/Br)	CU NIPDAU	Level-1-260C-UNLIM
TPS6755IP	ACTIVE	PDIP	P	8	50	Pb-Free (RoHS)	CU NIPDAU	Level-NC-NC-NC
TPS6755IPE4	ACTIVE	PDIP	P	8	50	Pb-Free (RoHS)	CU NIPDAU	Level-NC-NC-NC

⁽¹⁾ The marketing status values are defined as follows:

ACTIVE: Product device recommended for new designs.

LIFEBUY: TI has announced that the device will be discontinued, and a lifetime-buy period is in effect.

NRND: Not recommended for new designs. Device is in production to support existing customers, but TI does not recommend using this part in a new design.

PREVIEW: Device has been announced but is not in production. Samples may or may not be available.

OBSOLETE: TI has discontinued the production of the device.

⁽²⁾ Eco Plan - The planned eco-friendly classification: Pb-Free (RoHS) or Green (RoHS & no Sb/Br) - please check <http://www.ti.com/productcontent> for the latest availability information and additional product content details.

TBD: The Pb-Free/Green conversion plan has not been defined.

Pb-Free (RoHS): TI's terms "Lead-Free" or "Pb-Free" mean semiconductor products that are compatible with the current RoHS requirements for all 6 substances, including the requirement that lead not exceed 0.1% by weight in homogeneous materials. Where designed to be soldered at high temperatures, TI Pb-Free products are suitable for use in specified lead-free processes.

Green (RoHS & no Sb/Br): TI defines "Green" to mean Pb-Free (RoHS compatible), and free of Bromine (Br) and Antimony (Sb) based flame retardants (Br or Sb do not exceed 0.1% by weight in homogeneous material)

⁽³⁾ MSL, Peak Temp. -- The Moisture Sensitivity Level rating according to the JEDEC industry standard classifications, and peak solder temperature.

Important Information and Disclaimer:The information provided on this page represents TI's knowledge and belief as of the date that it is provided. TI bases its knowledge and belief on information provided by third parties, and makes no representation or warranty as to the accuracy of such information. Efforts are underway to better integrate information from third parties. TI has taken and continues to take reasonable steps to provide representative and accurate information but may not have conducted destructive testing or chemical analysis on incoming materials and chemicals. TI and TI suppliers consider certain information to be proprietary, and thus CAS numbers and other limited information may not be available for release.

In no event shall TI's liability arising out of such information exceed the total purchase price of the TI part(s) at issue in this document sold by TI to Customer on an annual basis.

IMPORTANT NOTICE

Texas Instruments Incorporated and its subsidiaries (TI) reserve the right to make corrections, modifications, enhancements, improvements, and other changes to its products and services at any time and to discontinue any product or service without notice. Customers should obtain the latest relevant information before placing orders and should verify that such information is current and complete. All products are sold subject to TI's terms and conditions of sale supplied at the time of order acknowledgment.

TI warrants performance of its hardware products to the specifications applicable at the time of sale in accordance with TI's standard warranty. Testing and other quality control techniques are used to the extent TI deems necessary to support this warranty. Except where mandated by government requirements, testing of all parameters of each product is not necessarily performed.

TI assumes no liability for applications assistance or customer product design. Customers are responsible for their products and applications using TI components. To minimize the risks associated with customer products and applications, customers should provide adequate design and operating safeguards.

TI does not warrant or represent that any license, either express or implied, is granted under any TI patent right, copyright, mask work right, or other TI intellectual property right relating to any combination, machine, or process in which TI products or services are used. Information published by TI regarding third-party products or services does not constitute a license from TI to use such products or services or a warranty or endorsement thereof. Use of such information may require a license from a third party under the patents or other intellectual property of the third party, or a license from TI under the patents or other intellectual property of TI.

Reproduction of information in TI data books or data sheets is permissible only if reproduction is without alteration and is accompanied by all associated warranties, conditions, limitations, and notices. Reproduction of this information with alteration is an unfair and deceptive business practice. TI is not responsible or liable for such altered documentation.

Resale of TI products or services with statements different from or beyond the parameters stated by TI for that product or service voids all express and any implied warranties for the associated TI product or service and is an unfair and deceptive business practice. TI is not responsible or liable for any such statements.

Following are URLs where you can obtain information on other Texas Instruments products and application solutions:

Products		Applications	
Amplifiers	amplifier.ti.com	Audio	www.ti.com/audio
Data Converters	dataconverter.ti.com	Automotive	www.ti.com/automotive
DSP	dsp.ti.com	Broadband	www.ti.com/broadband
Interface	interface.ti.com	Digital Control	www.ti.com/digitalcontrol
Logic	logic.ti.com	Military	www.ti.com/military
Power Mgmt	power.ti.com	Optical Networking	www.ti.com/opticalnetwork
Microcontrollers	microcontroller.ti.com	Security	www.ti.com/security
		Telephony	www.ti.com/telephony
		Video & Imaging	www.ti.com/video
		Wireless	www.ti.com/wireless

Mailing Address: Texas Instruments
Post Office Box 655303 Dallas, Texas 75265