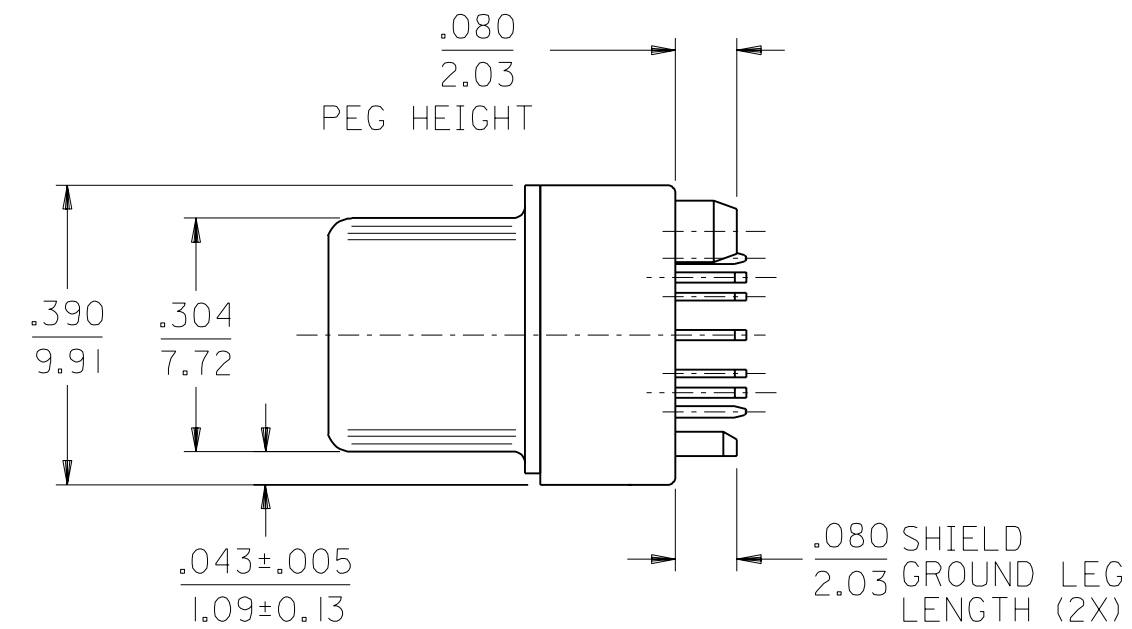
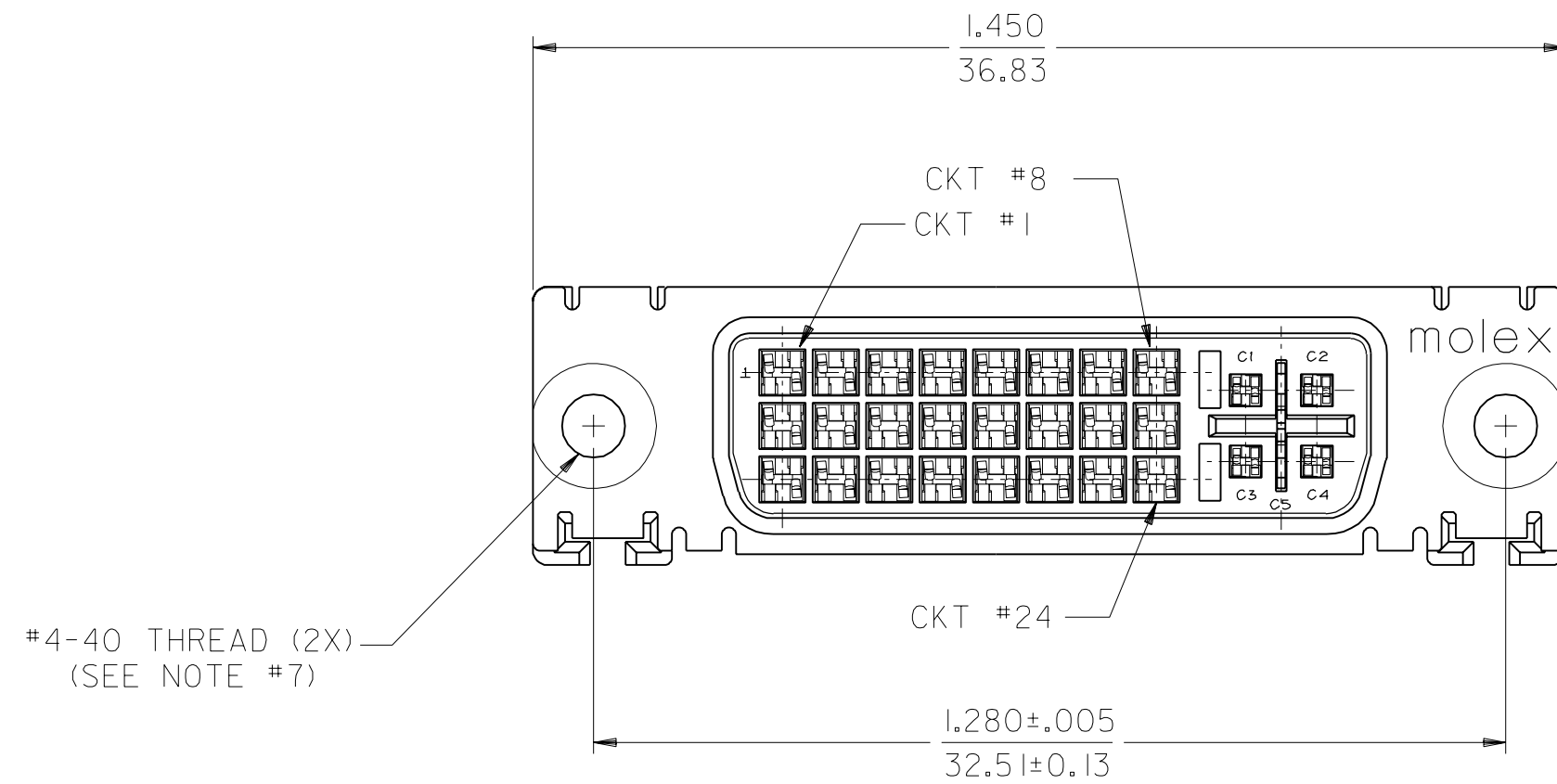
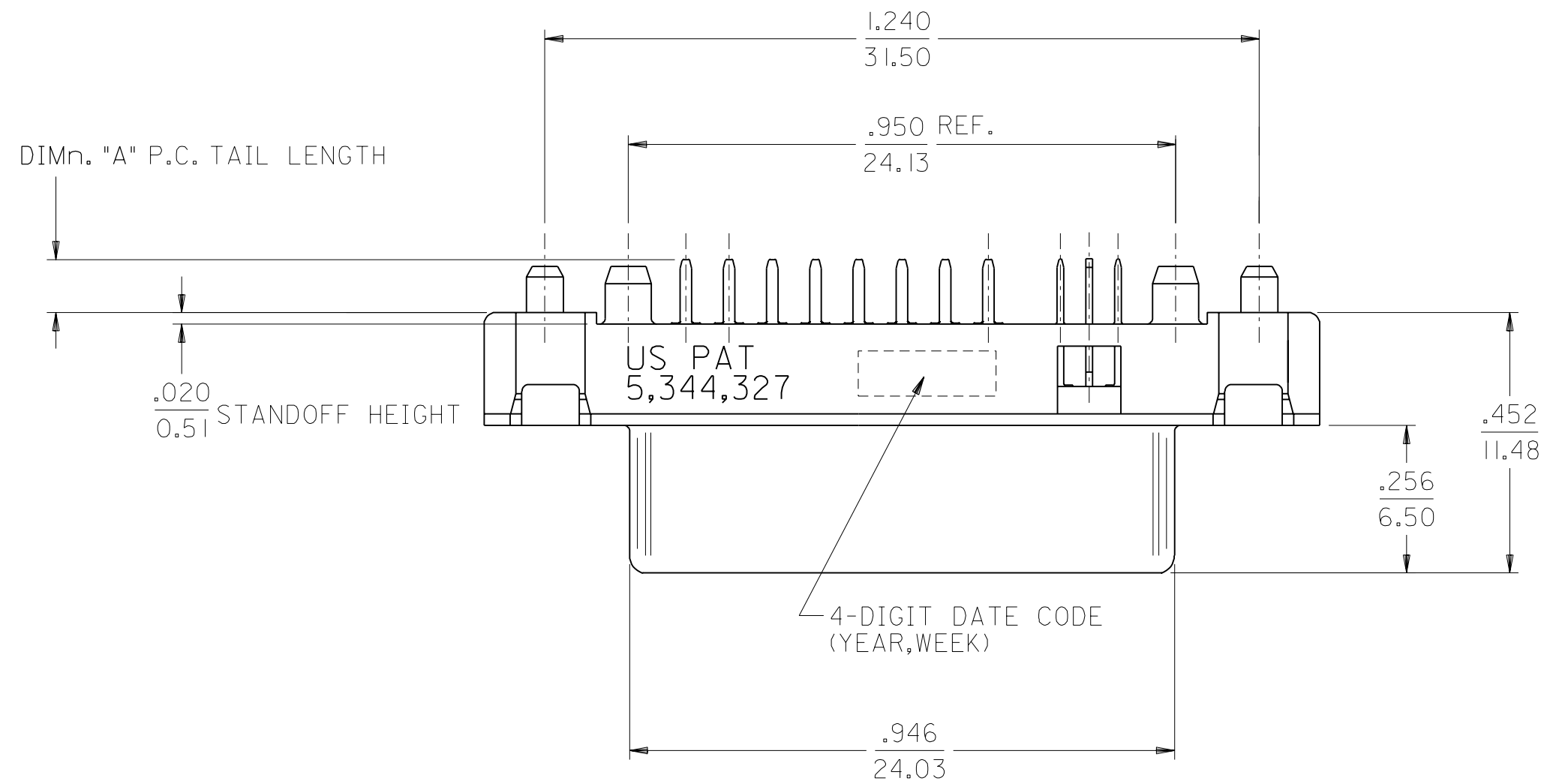


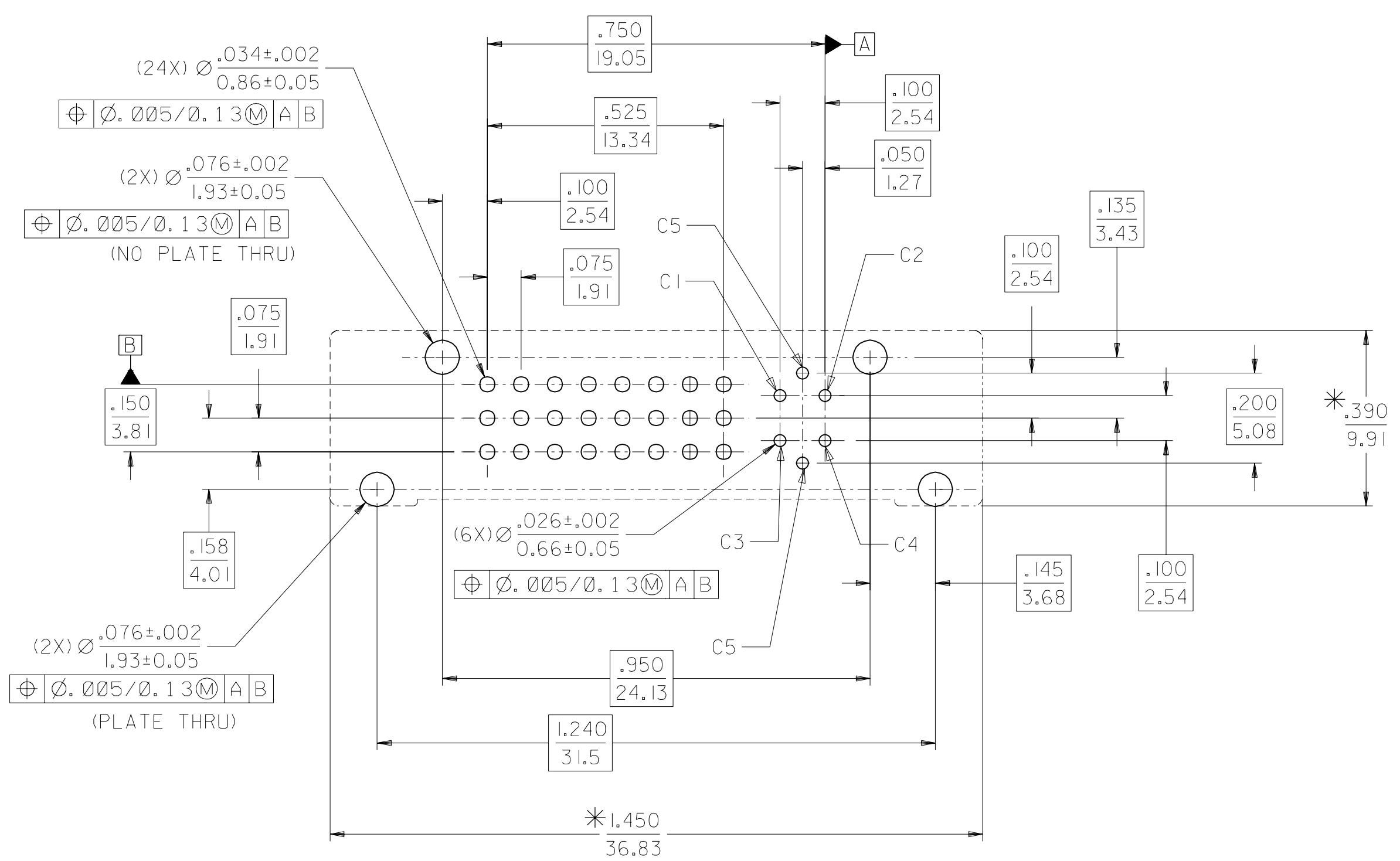
NOTES:

1. MATERIALS:
SHIELD -- DEEP DRAW STEEL.
HOUSING -- GLASS FILLED POLYMER, NATURAL (WHITE), UL 94v-0.
CONTACTS -- COPPER ALLOY.
MICROCROSS GROUND -- COPPER ALLOY
2. PLATING: SEE SHEET 2.
3. PRODUCT CONFORMS TO MOLEX PRODUCT SPECIFICATION NUMBER PS-74320-001.
4. SEE SHEET 2 FOR RECOMMENDED PANEL CUT-OUT AND P.C.B. LAYOUT.
5. PARTS WILL BE PACKAGED IN TRAYS PER PK-74320-010.
6. PRODUCT CONFORMS TO DDWG DVI SPECIFICATION. REFER TO THIS SPECIFICATION FOR CONNECTOR MATING DIMENSIONS.
7. RECOMMENDED MOUNTING HARDWARE IS MOLEX P/N 71781-0001 OR 82007-0300 OR 88780-6066. REFER TO PRODUCT SPECIFICATION NUMBER PS-74320-001 FOR THE APPLICATION TORQUE REQUIREMENT FOR ASSEMBLING MOUNTING HARDWARE.



| PART NUMBER | DIMn "A" | PLATING OPTION |
|-------------|-----------|----------------|
| 74320-3000 | .092/2.34 | 1 |
| 74320-3001 | .050/1.27 | 1 |
| 74320-3004 | .092/2.34 | 2 |
| 74320-3005 | .050/1.27 | 2 |

| | | | | | | | | |
|--|---------------------------------|--|---|--|------------------------|--|-----|-----------|
| MODIFICATION EC NO. SH2004-0130 DRWN: DXUE 04/03/05 CHK: HARVEY 04/03/11 APPR: SHUANG 04/03/12 | QUALITY SYMBOLS | GENERAL TOLERANCES: (UNLESS SPECIFIED) | SCALE 4 : 1 | DESIGN UNITS <input type="checkbox"/> mm <input checked="" type="checkbox"/> INCH | THIRD ANGLE PROJECTION | DIMENSIONS: <input type="checkbox"/> mm <input checked="" type="checkbox"/> INCH <input type="checkbox"/> mm ONLY | SHT | REV |
| | MAJOR = 0 CRITICAL = 0 | 4 PLACES ±0. ±. 3 PLACES ±0. ±.010 2 PLACES ±0.25 ±.010 1 PLACE ±0. ±. ANGULAR: ± 1/2° | DRAWN BY & DATE MOSULLIV 99/02/12 CHECKED BY & DATE MOSULLIV 99/02/12 APPROVED BY & DATE NELLIGAN 99/02/15 | TITLE: DVI - INTERGRATED VERTICAL RECEPTACLE CONNECTOR | | MATERIAL NO. DRAWING NO. SHEET NO. SEE CHART SD-74320-002 1 OF 2 | | |
| D | REV | DRAFT WHERE APPLICABLE MUST REMAIN WITHIN DIMENSIONS | THIS DRAWING CONTAINS INFORMATION THAT IS PROPRIETARY TO MOLEX INCORPORATED AND SHOULD NOT BE USED WITHOUT WRITTEN PERMISSION. | | | | | SIZE C |



RECOMMENDED PCB LAYOUT

* THESE DIMENSIONS REPRESENT CONNECTOR OVERLAY ON PCB.

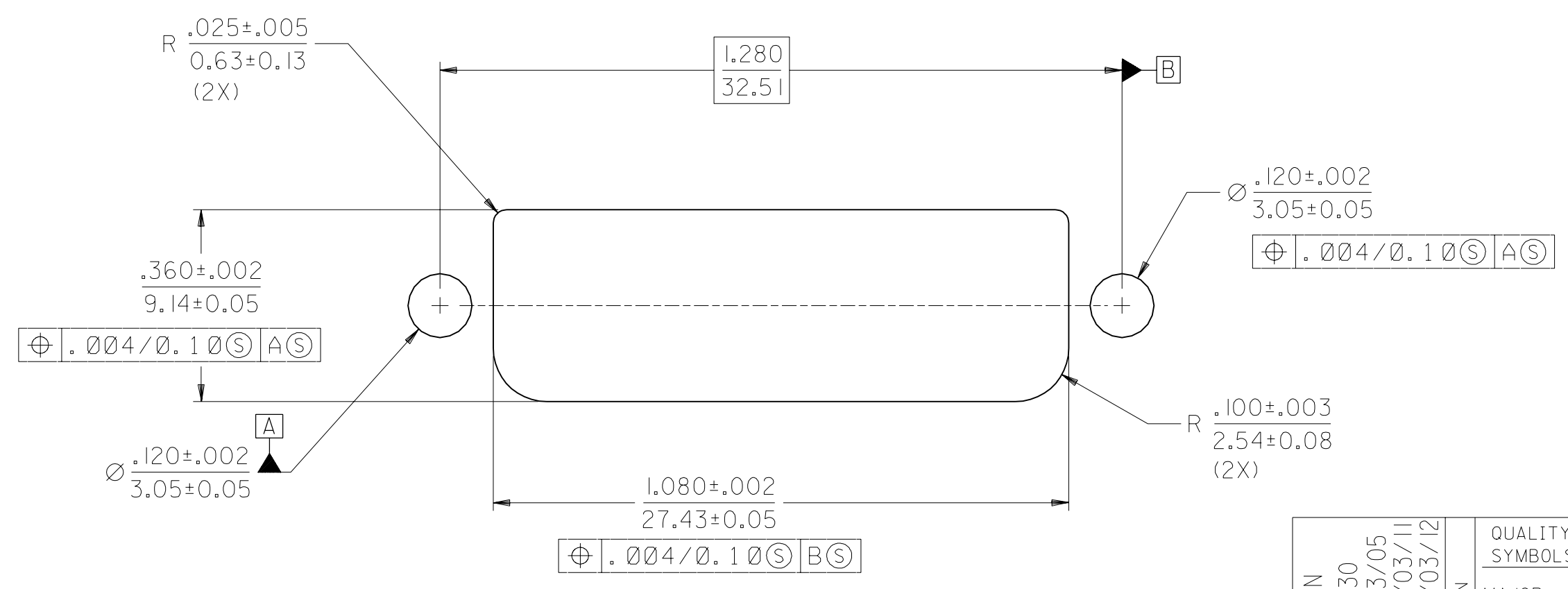
PLATING OPTIONS:

PLATING OPTION #1:

- OUTER SHIELD -- 150u"/3.75um MIN. BRIGHT TIN OVER 50u"/1.27um MIN. NICKEL OVER COPPER FLASH.
- .075"/1.91mm CONTACTS -- 30u"/0.75um MIN. SELECT GOLD AND 100u"/2.50um MIN. SELECT PURE TIN OVER 50u"/1.27um MIN. NICKEL OVERALL.
- .100"/2.54mm CONTACTS -- 30u"/0.75um MIN. SELECT GOLD AND 100u"/2.50um MIN. SELECT PURE TIN OVER 50u"/1.27um MIN. NICKEL OVERALL.
- MICROCROSS GROUND -- 30u"/0.75um MIN. SELECT GOLD AND 100u"/2.50um MIN. SELECT PURE TIN OVER 50u"/1.27um MIN. NICKEL OVERALL.

PLATING OPTION #2:

- OUTER SHIELD -- 150u"/3.75um MIN BRIGHT TIN OVER 50u"/1.27um MIN. NICKEL OVER COPPER FLASH.
- .075"/1.91mm CONTACTS -- SELECT GOLD FLASH AND 100u"/2.50um MIN. SELECT PURE TIN OVER 50u"/1.27um MIN. NICKEL OVERALL.
- .100"/2.54mm CONTACTS -- SELECT GOLD FLASH AND 100u"/2.50um SELECT PURE TIN OVER 50u"/1.27um MIN. NICKEL OVERALL.
- MICROCROSS GROUND -- 30u"/0.75um MIN. SELECT GOLD AND 100u"/2.50um MIN. SELECT PURE TIN OVER 50u"/1.27um MIN. NICKEL OVERALL.



RECOMMENDED PANEL CUT-OUT
PANEL THICKNESS: .030/0.76 - .040/1.02

| | | | | | | | | | |
|--|---------------------------------|---|-----------------|----------------|--|--------------------------------------|---|---------------------------|-----------------------------|
| MODIFICATION EC NO. SH2004-0130 DRWN: DXUE 04/03/05 CHK: HARVEY 04/03/11 APPR: SHUANG 04/03/12 | QUALITY SYMBOLS | GENERAL TOLERANCES: (UNLESS SPECIFIED) | | SCALE 4 : 1 | DESIGN UNITS <input type="checkbox"/> mm <input checked="" type="checkbox"/> INCH | THIRD ANGLE PROJECTION | DIMENSIONS: <input type="checkbox"/> mm <input checked="" type="checkbox"/> INCH | SHT | REV |
| | MAJOR = 0 CRITICAL = 0 | mm | INCH | 4 PLACES ±0. | ±. | DRAWN BY & DATE MOSULLIV 97/03/06 | TITLE: DVI - INTEGRATED VERTICAL RECEPTACLE CONNECTOR | REVISE ON CAD ONLY | SHEET NO. 2 |
| REV | 2 PLACES ±0.25 | ±. 010 | 3 PLACES ±0. | ±. 010 | CHECKED BY & DATE MOSULLIV 97/03/07 | MOLEX INCORPORATED | | | |
| | 1 PLACE ±0. | ±. | ANGULAR: ± 1/2° | | APPROVED BY & DATE NELLIGAN 97/03/07 | | CAD FILENAME SD74320002.S02 | MATERIAL NO. SEE CHART | DRAWING NO. SD-74320-002 |

DRAFT WHERE APPLICABLE MUST
REMAIN WITHIN DIMENSIONS

THIS DRAWING CONTAINS INFORMATION THAT IS PROPRIETARY TO MOLEX
INCORPORATED AND SHOULD NOT BE USED WITHOUT WRITTEN PERMISSION.