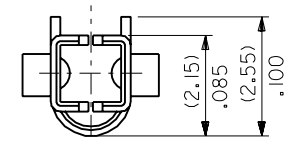
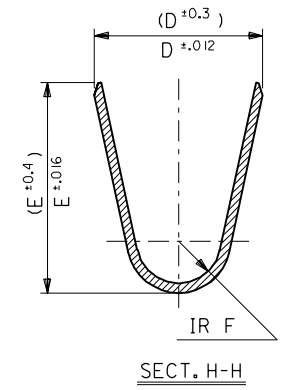
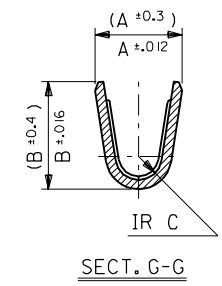
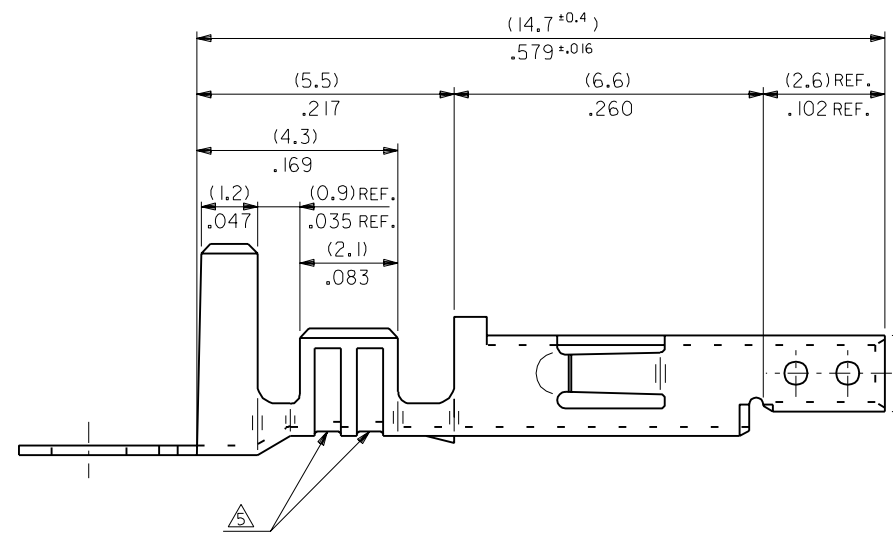
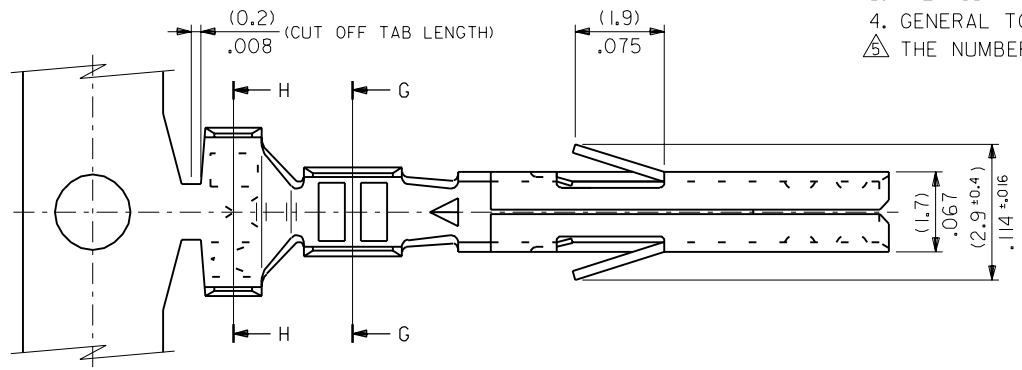


- NOTES**
1. APPLICABLE HOUSING : 5557 SERIES.
  2. MATES WITH TERMINAL : 5558, 5566, 5569 SERIES.
  3. (METRIC) VALUES SHOWN GOVERN OVER ENGLISH CONVERSION VALUES.
  4. GENERAL TOLERANCES OF ENGLISH CONVERSION VALUES : ±.008 INCH.
- △ THE NUMBER OF SERRATIONS TO BE ONE FOR WIRE RANGE #22-28.



		材料 MATERIAL		SEE SHEET 2 OF 2	MOLEX-JAPAN CO.,LTD. 日本モレックス株式会社
		仕上げ FINISH		SEE SHEET 2 OF 2	
		適用電線範囲 WIRE RANGE		SEE SHEET 2 OF 2	EDP. NO. SEE SHEET 2 OF 2
		被覆外径 INS. RANGE		SEE SHEET 2 OF 2	ENG. NO. SHEET 1 OF 2 REV J
		DRAWN BY '91/5/18 H.HIRAMOTO		TITLE 名称 NEW MINI. FIT CONN. CRIMP RECEPTACLE	
		CHK'D BY '98/11/9 K.T.S.KUNISHI			
		APP'D BY '98/11/9 M.FUKUSHIMA		尺 度 SCALE 10 - 1	
角度 ANGLE ±3° 30以上 OVER ±0.3 10以上 30未滿 UNDER ±0.25 10未滿 UNDER ±0.2 一般公差 GENERAL TOLERANCES		J REVISED (JC90279) Y.K. '98/11/6 H REVISED (JC90012) Y.K. '98/7/16 G REVISED (JC80619) Y.K. '98/5/16 F REVISED & REDRAWN (J1038D) H.H. '91/6/25 記号 LTR 変更内容 DR. 日付 日付 REVISION RECORD CHK. DATE		REVISE ONLY ON CAD SYSTEM	

ENC. NO SHEET 2 OF 2  
SD-5556\*\*\*\*\*

EDP NO. SEE CHART

MM DIMENSIONS IN METRIC DO NOT SCALE DRAWING

8 7 6 5 4 3 2 1

F  
E  
D  
C  
B

MATERIAL	F	E	D	C	B	A	INS. RANGE	WIRE RANGE	EDP NO.	ENG. NO.	FORM
TIN OVER NICKEL PLATED PHOSPHOR BRONZE	(0.9) .035	(4.5) .177	(3.6) .142	(0.6) .024	(2.7) .106	(2.3) .091	∅ (3.1) .122 MAX.	# 16	39-00-0119	5556 PBS3L	LOOSE
	(0.6) .024	(2.3) .091	(2.3) .091	(0.4) .016	(1.65) .065	(1.8) .071	∅ (0.9-1.8) .035-.071	#22-28	↑ -0118	↑ PBS3	CHAIN
	(0.9) .035	(4.5) .177	(3.6) .142	(0.5) .020	(2.3) .091	(1.9) .075	∅ (1.3-3.1) .051-.122	# 18-24	-0117	PBS2L	LOOSE
	(0.6) .024	(2.3) .091	(2.3) .091	(0.4) .016	(1.65) .065	(1.8) .071	∅ (0.9-1.8) .035-.071	#22-28	-0116	PBS2	CHAIN
TIN PLATED PHOSPHOR BRONZE	(0.9) .035	(4.5) .177	(3.6) .142	(0.6) .024	(2.7) .106	(2.3) .091	∅ (3.1) .122 MAX.	# 16	-0115	PBSL	LOOSE
	(0.6) .024	(2.3) .091	(2.3) .091	(0.4) .016	(1.65) .065	(1.8) .071	∅ (0.9-1.8) .035-.071	#22-28	-0114	PBS	CHAIN
	(0.9) .035	(4.5) .177	(3.6) .142	(0.5) .020	(2.3) .091	(1.9) .075	∅ (1.3-3.1) .051-.122	# 18-24	-0080	PBT3L	LOOSE
	(0.6) .024	(2.3) .091	(2.3) .091	(0.4) .016	(1.65) .065	(1.8) .071	∅ (0.9-1.8) .035-.071	#22-28	-0079	PBT3	CHAIN
TIN OVER NICKEL PLATED BRASS	(0.9) .035	(4.5) .177	(3.6) .142	(0.6) .024	(2.7) .106	(2.3) .091	∅ (3.1) .122 MAX.	# 16	-0066	PBT2L	LOOSE
	(0.6) .024	(2.3) .091	(2.3) .091	(0.4) .016	(1.65) .065	(1.8) .071	∅ (0.9-1.8) .035-.071	#22-28	-0065	PBT2	CHAIN
	(0.9) .035	(4.5) .177	(3.6) .142	(0.5) .020	(2.3) .091	(1.9) .075	∅ (1.3-3.1) .051-.122	# 18-24	-0060	PBTL	LOOSE
	(0.6) .024	(2.3) .091	(2.3) .091	(0.4) .016	(1.65) .065	(1.8) .071	∅ (0.9-1.8) .035-.071	#22-28	-0059	PBT	CHAIN
TIN OVER COPPER PLATED BRASS	(0.9) .035	(4.5) .177	(3.6) .142	(0.6) .024	(2.7) .106	(2.3) .091	∅ (3.1) .122 MAX.	# 16	-0113	S3L	LOOSE
	(0.6) .024	(2.3) .091	(2.3) .091	(0.4) .016	(1.65) .065	(1.8) .071	∅ (0.9-1.8) .035-.071	#22-28	-0112	S3	CHAIN
	(0.9) .035	(4.5) .177	(3.6) .142	(0.5) .020	(2.3) .091	(1.9) .075	∅ (1.3-3.1) .051-.122	# 18-24	-0111	S2L	LOOSE
	(0.6) .024	(2.3) .091	(2.3) .091	(0.4) .016	(1.65) .065	(1.8) .071	∅ (0.9-1.8) .035-.071	#22-28	-0110	S2	CHAIN
MATERIAL	(0.9) .035	(4.5) .177	(3.6) .142	(0.6) .024	(2.7) .106	(2.3) .091	∅ (3.1) .122 MAX.	# 16	-0109	SL	LOOSE
	(0.6) .024	(2.3) .091	(2.3) .091	(0.4) .016	(1.65) .065	(1.8) .071	∅ (0.9-1.8) .035-.071	#22-28	-0108	S	CHAIN
	(0.9) .035	(4.5) .177	(3.6) .142	(0.5) .020	(2.3) .091	(1.9) .075	∅ (1.3-3.1) .051-.122	# 18-24	-0078	T3L	LOOSE
	(0.6) .024	(2.3) .091	(2.3) .091	(0.4) .016	(1.65) .065	(1.8) .071	∅ (0.9-1.8) .035-.071	#22-28	-0077	T3	CHAIN
MATERIAL	(0.9) .035	(4.5) .177	(3.6) .142	(0.6) .024	(2.7) .106	(2.3) .091	∅ (3.1) .122 MAX.	# 16	-0047	T2L	LOOSE
	(0.6) .024	(2.3) .091	(2.3) .091	(0.4) .016	(1.65) .065	(1.8) .071	∅ (0.9-1.8) .035-.071	#22-28	-0046	T2	CHAIN
	(0.9) .035	(4.5) .177	(3.6) .142	(0.5) .020	(2.3) .091	(1.9) .075	∅ (1.3-3.1) .051-.122	# 18-24	↓ -0039	↓ TL	LOOSE
	(0.6) .024	(2.3) .091	(2.3) .091	(0.4) .016	(1.65) .065	(1.8) .071	∅ (0.9-1.8) .035-.071	#22-28	39-00-0038	5556 T	CHAIN

材料 MATERIAL		SEE CHART	moLEX MOLEX-JAPAN CO.,LTD. 日本モレックス株式会社
THICKNESS : (0.203)/.008			
仕上げ FINISH		SEE CHART	EDP. NO.
適用電線範囲 WIRE RANGE		SEE CHART	SEE CHART
被覆外径 INS. RANGE		SEE CHART	ENG. NO. SHEET 2 OF 2 REV
DRAWN BY 9/15/18 H.HIRAMOTO		CHK'D BY 98/11/9 K.T. S.KUNISHI	SD-5556***** J
APPR'D BY 98/11/9 M.FUKUSHIMA		尺度 SCALE 10 - 1	TITLE 名称 NEW MINI. FIT CONN. CRIMP RECEPTACLE

角度 ANGLE	+3°	J SEE SHEET 1 OF 2	Y.K S.K 98/11/6
30 以上 OVER	+0.3	H SEE SHEET 1 OF 2	Y.K S.K 98/11/6
10 以上 30 未満 UNDER	+0.25	G SEE SHEET 1 OF 2	Y.K S.K 98/5/6
10 未満 UNDER	+0.2	F SEE SHEET 1 OF 2	H.H 9/16/25
一般公差 GENERAL TOLERANCES		記号 LTR 変更内容 REVISION RECORD	DR. CHK. DATE

THIS DRAWING CONTAINS INFORMATION THAT IS PROPRIETARY TO MOLEX(JAPAN) AND SHOULD NOT BE USED WITHOUT WRITTEN PERMISSION  
本図面は日本モレックス(株)の所有する情報を含むもので 当社の許可なく複製を禁止する。 MXJ-8

5556.S32