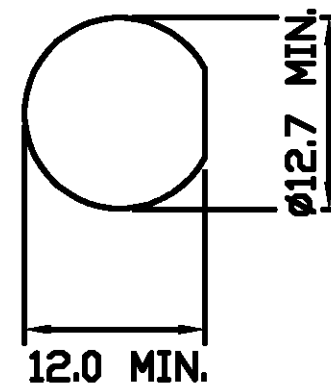
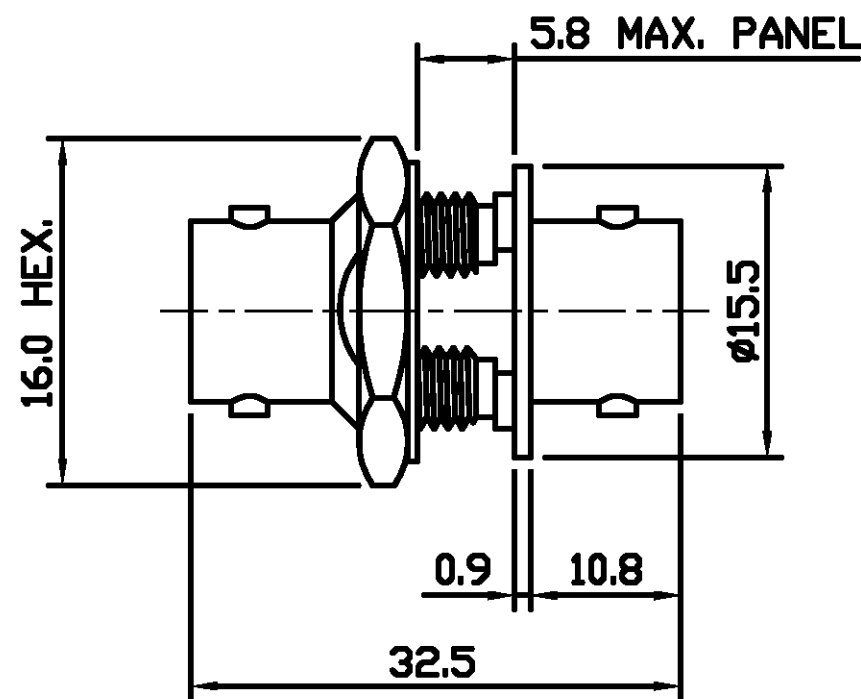


THIS DRAWING IS UNPUBLISHED.

RELEASED FOR PUBLICATION 18.12.00, 18.12.00

© COPYRIGHT 2001 BY TYCO ELECTRONICS CORPORATION. ALL RIGHTS RESERVED.

LOC	DIST	REVISIONS					
		P	LTR	DESCRIPTION	DATE	DWN	APVD
E	B	A		RELEASE FOR PRODUCTION	18.12.00	RS	RG



RECOMMENDED CUT-OUT DIMENSIONS

ALL DIMENSIONS ARE NOMINAL. FOR REFERENCE ONLY.

△ SUPPLIED SEMI-ASSEMBLED (PACK CONTAINS LOOSE PIECES)

DIE SET PART NUMBER	N/A
HANDTOOL PART NUMBER	N/A
FOR USE ON CABLES	N/A
CONNECTOR PLATING DETAIL	SILVER
CONTACT PLATING DETAIL	SILVER
DIELECTRIC MATERIAL	TEFLON
GASKET MATERIAL	WHITE SILICONE RUBBER

BAG	SINGLE ITEM	1-1478045-0
PACK TYPE	DESCRIPTION	PART NUMBER

THIS DRAWING IS A CONTROLLED DOCUMENT.		DWN R SMITH 18.12.00	Tyco Electronics Corporation Stanmore, Middlesex, HA7 4RS	
DIMENSIONS: MM		CHK R GOODALL 18.12.00	NAME BNC B/HEAD ADAPTOR J-J 75 OHM	
TOLERANCES UNLESS OTHERWISE SPECIFIED:		APVD R GOODALL 18.12.00	PRODUCT SPEC 108-3435	
0 PLC ± -		APPLICATION SPEC -	SIZE A3	CAGE CODE 00779
1 PLC ± -		WEIGHT -	DRAWING NO C-1478045	RESTRICTED TO -
2 PLC ± -		CUSTOMER DRAWING	SCALE NTS	SHEET 1 OF 1
3 PLC ± -				REV A
4 PLC ± -				
ANGLES ± -				
MATERIAL -	FINISH -			