

**4.5-V TO 18-V INPUT 10-PIN SYNCHRONOUS BUCK CONTROLLER WITH POWER GOOD**

**FEATURES**

- Input Operating Voltage Range: 4.5 V to 18 V
- Up to 20-A Output Currents
- Supports Pre-Biased Outputs
- 0.5% 0.591-V Reference
- 600 kHz (TPS40192) and 300 kHz (TPS40193) Switching Frequencies
- Three Selectable Thermally Compensated Short Circuit Protection Levels
- Hiccup Restart from Faults
- Internal 5-V Regulator
- High and Low side FET RDS<sub>ON</sub> Current Sensing
- 10-Pin 3 mm × 3 mm SON Package
- Internal 4-ms Soft-Start Time
- Thermal Shutdown Protection at 145°C

**APPLICATIONS**

- Cable Modem CPE
- Digital Set Top Box
- Graphics/Audio Cards
- Entry Level and Mid-Range Servers

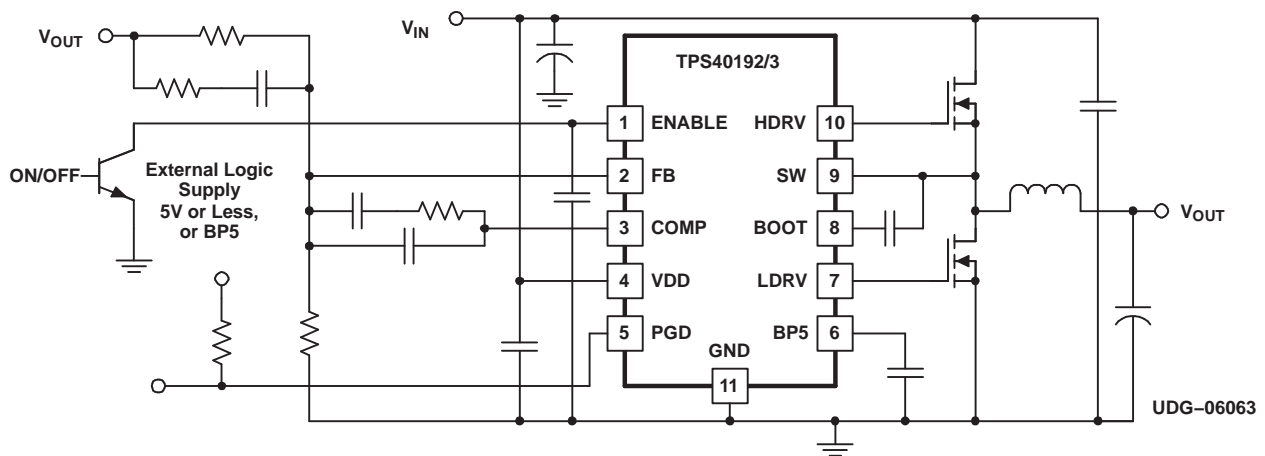
**CONTENTS**

|                            |    |
|----------------------------|----|
| Device Ratings             | 3  |
| Electrical Characteristics | 4  |
| Typical Characteristics    | 6  |
| Terminal Information       | 9  |
| Application Information    | 11 |
| Design Example             | 17 |
| Additional References      | 27 |

**DESCRIPTION**

TPS40192 and TPS40193 are cost-optimized synchronous buck controllers that operate from 4.5 V to 18 V input. These controllers implement a voltage-mode control architecture with the switching frequency fixed at either 600 kHz (TPS40192) or 300 kHz (TPS40193). The higher switching frequency facilitates the use of smaller inductor and output capacitors, thereby providing a compact power-supply solution. An adaptive anti-cross conduction scheme is used to prevent shoot through current in the power FETs.

**SIMPLIFIED APPLICATION DIAGRAM**



Please be aware that an important notice concerning availability, standard warranty, and use in critical applications of Texas Instruments semiconductor products and disclaimers thereto appears at the end of this data sheet.

**DESCRIPTION (continued)**

Short circuit detection is done by sensing the voltage drop across the low-side MOSFET when it is on and comparing it with a user selected threshold of 100 mV, 200 mV or 280 mV. The threshold is set with a single external resistor connected from COMP to GND. This resistor is sensed at startup and the selected threshold is latched. Pulse by pulse limiting (to prevent current runaway) is provided by sensing the voltage across the high-side MOSFET when it is on and terminating the cycle when the voltage drop rises above a fixed threshold of 550 mV. When the controller senses an output short circuit, both MOSFETs are turned off and a timeout period is observed before attempting to restart. This provides limited power dissipation in the event of a sustained fault.

**ORDERING INFORMATION**

| T <sub>J</sub> | PACKAGE                  | FREQUENCY (kHz) | TAPE AND REEL QUANTITY | PART NUMBER  |
|----------------|--------------------------|-----------------|------------------------|--------------|
| -40°C to 85°C  | Plastic 10-Pin SON (DRC) | 300             | 250                    | TPS40193DRCT |
|                |                          |                 | 3000                   | TPS40193DRCR |
|                |                          | 600             | 250                    | TPS40192DRCT |
|                |                          |                 | 3000                   | TPS40192DRCR |

## DEVICE RATINGS

### ABSOLUTE MAXIMUM RATINGS

over operating free-air temperature range unless otherwise noted<sup>(1)</sup>

|                     |   | TPS40192/TPS40193 | UNIT |
|---------------------|---|-------------------|------|
| Input voltage range | VDD, ENABLE   | -0.3 to 20        | V    |
|                     | SW  | -5 to 25          |      |
|                     | BOOT, HDRV  | -0.3 to 30        |      |
|                     | BOOT-SW, HDRV-SW (differential from BOOT or HDRV to SW) | -0.3 to 6         |      |
|                     | COMP, FB, BP5, LDRV, PGD                                | -0.3 to 6         |      |
| T <sub>J</sub>      | Operating junction temperature range                    | -40 to 150        | °C   |
| T <sub>stg</sub>    | Storage temperature                                     | -55 to 150        |      |

(1) Stresses beyond those listed under "absolute maximum ratings" may cause permanent damage to the device. These are stress ratings only, and functional operation of the device at these or any other conditions beyond those indicated under "recommended operating conditions" is not implied. Exposure to absolute-maximum-rated conditions for extended periods may affect device reliability.

### RECOMMENDED OPERATING CONDITIONS

|                  |                                | MIN | NOM | MAX | UNIT |
|------------------|--------------------------------|-----|-----|-----|------|
| V <sub>VDD</sub> | Input voltage                  | 4.5 |     | 18  | V    |
| T <sub>J</sub>   | Operating Junction temperature | -40 |     | 125 | °C   |

### PACKAGE DISSIPATION RATINGS

| PACKAGE | AIRFLOW (LFM)          | R <sub>θJA</sub> High-K Board <sup>(1)</sup><br>(°C/W) | Power Rating (W)<br>T <sub>A</sub> = 25°C | Power Rating (W)<br>T <sub>A</sub> = 85°C |
|---------|------------------------|--|---|---|
| DRC     | 0 (Natural Convection) | 47.9   | 2.08                                      | 0.835                                     |
|         | 200                    | 40.5   | 2.46                                      | 0.987                                     |
|         | 400                    | 38.2   | 2.61                                      | 1.04                                      |

(1) Ratings based on JEDEC High Thermal Conductivity (High K) Board. For more information on the test method, see TI Technical Brief SZZA017.

### ELECTROSTATIC DISCHARGE (ESD) PROTECTION

|                            |  | MIN  | TYP | MAX | UNIT |
|----------------------------|--|------|-----|-----|------|
| Human Body Model (HBM)     |  | 2500 |     |     | V    |
| Charged Device Model (CDM) |  | 1500 |     |     |      |

**ELECTRICAL CHARACTERISTICS**

T<sub>J</sub> = -40°C to 85°C, V<sub>VDD</sub> = 12 V<sub>dc</sub>, all parameters at zero power dissipation (unless otherwise noted)

| PARAMETER                       |   | TEST CONDITIONS  | MIN | TYP | MAX  | UNIT |
|---------------------------------|---|--|-----|-----|------|------|
| <b>REFERENCE</b>                |   |  |     |     |      |      |
| V <sub>FB</sub>                 | Feedback voltage range                              | 0°C ≤ T <sub>J</sub> ≤ 85°C  | 588 | 591 | 594  | mV   |
|                                 |   | -40°C ≤ T <sub>J</sub> ≤ 85°C  | 585 | 591 | 594  |      |
| <b>INPUT SUPPLY</b>             |   |  |     |     |      |      |
| V <sub>VDD</sub>                | Input voltage range                                 |  | 4.5 |     | 18.0 | V    |
| I <sub>VDD</sub>                | Operating current                                   | V <sub>ENABLE</sub> = 3 V  |     | 2.5 | 4.0  | mA   |
|                                 |   | V <sub>ENABLE</sub> = 0.6 V  |     | 45  | 70   | μA   |
| <b>ON BOARD REGULATOR</b>       |   |  |     |     |      |      |
| V <sub>5VBP</sub>               | Output voltage                                      | V <sub>VDD</sub> > 6 V, I <sub>5VBP</sub> ≤ 10 mA                                      | 5.1 | 5.3 | 5.5  | V    |
| V <sub>DO</sub>                 | Regulator dropout voltage                           | V <sub>VDD</sub> - V <sub>BP5</sub> , V <sub>VDD</sub> = 5 V, I <sub>BP5</sub> ≤ 25 mA |     | 350 | 550  | mV   |
| I <sub>SC</sub>                 | Regulator current limit threshold                   |  | 50  |     |      | mA   |
| I <sub>BP5</sub>                | Average current                                     |  |     |     | 50   |      |
| <b>OSCILLATOR</b>               |   |  |     |     |      |      |
| f <sub>SW</sub>                 | Switching frequency                                 | TPS40193   | 240 | 300 | 360  | kHz  |
|                                 |   | TPS40192   | 500 | 600 | 700  |      |
| V <sub>RMP</sub>                | Ramp amplitude <sup>(1)</sup>                       |  |     | 1   |      | V    |
| <b>PWM</b>                      |   |  |     |     |      |      |
| D <sub>MAX</sub>                | Maximum duty cycle <sup>(1)</sup>                   |  | 85% |     |      |      |
| t <sub>ON(min)</sub>            | Minimum controlled pulse <sup>(1)</sup>             |  |     |     | 110  | ns   |
| t <sub>DEAD</sub>               | Output driver dead time                             | HDRV off to LDRV on  |     | 50  |      |      |
|                                 |   | LDRV off to HDRV on  |     | 25  |      |      |
| <b>SOFT-START</b>               |   |  |     |     |      |      |
| t <sub>SS</sub>                 | Soft-start time                                     |  | 3   | 4   | 6    | ms   |
| t <sub>SSDLY</sub>              | Soft-start delay time                               |  |     | 2   |      |      |
| t <sub>REG</sub>                | Time to regulation                                  |  |     | 6   |      |      |
| <b>ERROR AMPLIFIER</b>          |   |  |     |     |      |      |
| GBWP                            | Gain bandwidth product <sup>(1)</sup>               |  | 7   | 10  |      | MHz  |
| A <sub>OL</sub>                 | DC gain <sup>(1)</sup>                              |  | 60  |     |      | dB   |
| I <sub>IB</sub>                 | Input bias current (current out of FB pin)          |  |     |     | 100  | nA   |
| I <sub>EAOP</sub>               | Output source current                               | V <sub>FB</sub> = 0 V  | 1   |     |      | mA   |
| I <sub>EAOM</sub>               | Output sink current                                 | V <sub>FB</sub> = 2 V  | 1   |     |      |      |
| <b>SHORT CIRCUIT PROTECTION</b> |   |  |     |     |      |      |
| t <sub>PSS(min)</sub>           | Minimum pulse during short circuit <sup>(1)</sup>   |  |     | 250 |      | ns   |
| t <sub>BLNK</sub>               | Blanking time <sup>(1)</sup>                        |  | 60  | 90  | 120  |      |
| t <sub>OFF</sub>                | Off-time between restart attempts                   |  | 30  | 50  |      | ms   |
| V <sub>ILIM</sub>               | Short circuit comparator threshold voltage          | R <sub>COMP(GND)</sub> = OPEN, T <sub>J</sub> = 25°C                                   | 160 | 200 | 240  | mV   |
|                                 |   | R <sub>COMP(GND)</sub> = 4 kΩ, T <sub>J</sub> = 25°C                                   | 80  | 100 | 120  |      |
|                                 |   | R <sub>COMP(GND)</sub> = 12 kΩ, T <sub>J</sub> = 25°C                                  | 228 | 280 | 342  |      |
| V <sub>ILIMH</sub>              | Short circuit threshold voltage on high-side MOSFET | T <sub>J</sub> = 25°C  | 400 | 550 | 650  |      |

(1) Ensured by design. Not production tested.

**ELECTRICAL CHARACTERISTICS (continued)**
 $T_J = -40^{\circ}\text{C}$  to  $85^{\circ}\text{C}$ ,  $V_{VDD} = 12 V_{dc}$ , all parameters at zero power dissipation (unless otherwise noted)

| PARAMETER               |  | TEST CONDITIONS  | MIN | TYP | MAX | UNIT               |
|-------------------------|--|--|-----|-----|-----|--------------------|
| <b>OUTPUT DRIVERS</b>   |  |  |     |     |     |                    |
| $R_{HDHI}$              | High-side driver pull-up resistance          | $V_{BOOT} - V_{SW} = 4.5 V$ , $I_{HDRV} = -100 \text{ mA}$ |     | 3   | 6   | $\Omega$           |
| $R_{HDLO}$              | High-side driver pull-down resistance        | $V_{BOOT} - V_{SW} = 4.5 V$ , $I_{HDRV} = 100 \text{ mA}$  |     | 1.5 | 3.0 |                    |
| $R_{LDHI}$              | Low-side driver pull-up resistance           | $I_{LDRV} = -100 \text{ mA}$                               |     | 2.5 | 5.0 |                    |
| $R_{LDLO}$              | Low-side driver pull-down resistance         | $I_{LDRV} = 100 \text{ mA}$                                |     | 0.8 | 1.5 |                    |
| $t_{HRISE}$             | High-side driver rise time <sup>(2)</sup>    | $C_{LOAD} = 1 \text{ nF}$                                  |     | 15  | 35  | ns                 |
| $t_{H FALL}$            | High-side driver fall time <sup>(2)</sup>    |  |     | 10  | 25  |                    |
| $t_{LRISE}$             | Low-side driver rise time <sup>(2)</sup>     |  |     | 15  | 35  |                    |
| $t_{L FALL}$            | Low-side driver fall time <sup>(2)</sup>     |  |     | 10  | 25  |                    |
| <b>UVLO</b>             |  |  |     |     |     |                    |
| $V_{UVLO}$              | Turn-on voltage                              |  | 3.9 | 4.2 | 4.4 | V                  |
| $UVLO_{HYST}$           | Hysteresis                                   |  | 700 | 800 | 900 | mV                 |
| <b>SHUTDOWN</b>         |  |  |     |     |     |                    |
| $V_{IH}$                | High-level input voltage, ENABLE             |  |     | 1.9 | 3.0 | V                  |
| $V_{IL}$                | Low-level input voltage, ENABLE              |  | 0.6 |     |     |                    |
| <b>POWER GOOD</b>       |  |  |     |     |     |                    |
| $V_{OV}$                | Feedback voltage limit for powergood         |  |     | 650 |     | mV                 |
| $V_{UV}$                | Feedback voltage limit for powergood         |  |     | 525 |     |                    |
| $V_{PG\_HYST}$          | Powergood hysteresis voltage at FB pin       |  |     | 30  |     |                    |
| $R_{PGD}$               | Pulldown resistance of PGD pin               | $V_{FB} = 0 V$   |     | 7   | 50  | $\Omega$           |
| $I_{PDGLK}$             | Leakage current                              | $V_{FB} = 0 V$   |     | 7   | 12  | $\mu\text{A}$      |
| <b>BOOT DIODE</b>       |  |  |     |     |     |                    |
| $V_{DFWD}$              | Bootstrap diode forward voltage              | $I_{BOOT} = 5 \text{ mA}$                                  | 0.5 | 0.8 | 1.2 | V                  |
| <b>THERMAL SHUTDOWN</b> |  |  |     |     |     |                    |
| $T_{JSD}$               | Junction shutdown temperature <sup>(2)</sup> |  |     | 145 |     | $^{\circ}\text{C}$ |
| $T_{JSDH}$              | Hysteresis <sup>(2)</sup>                    |  |     | 20  |     |                    |

(2) Ensured by design. Not production tested.

TYPICAL CHARACTERISTICS

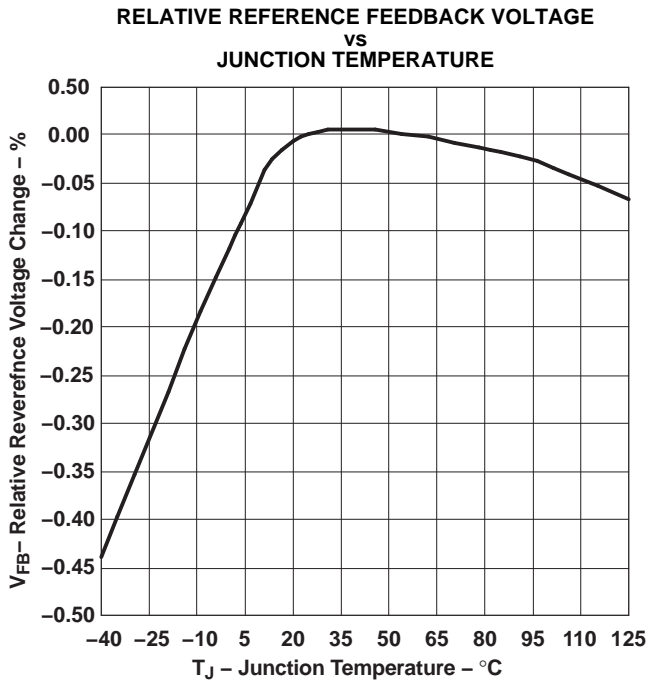


Figure 1.

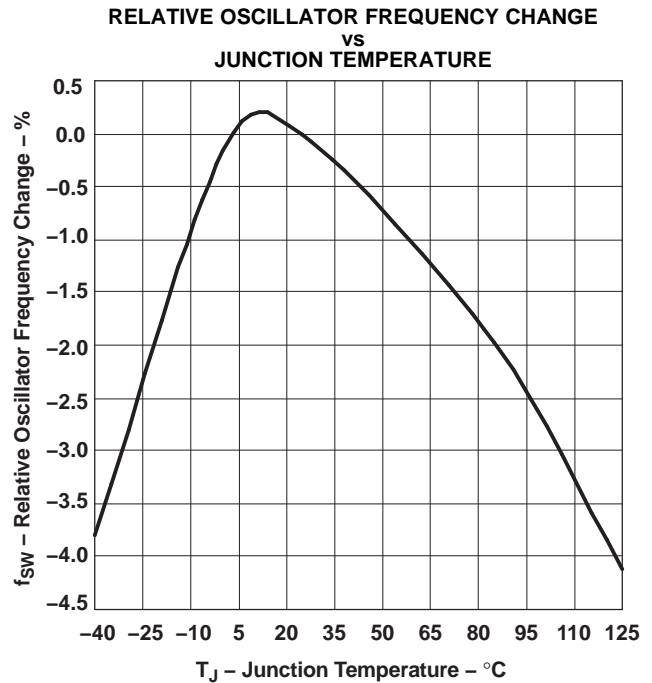


Figure 2.

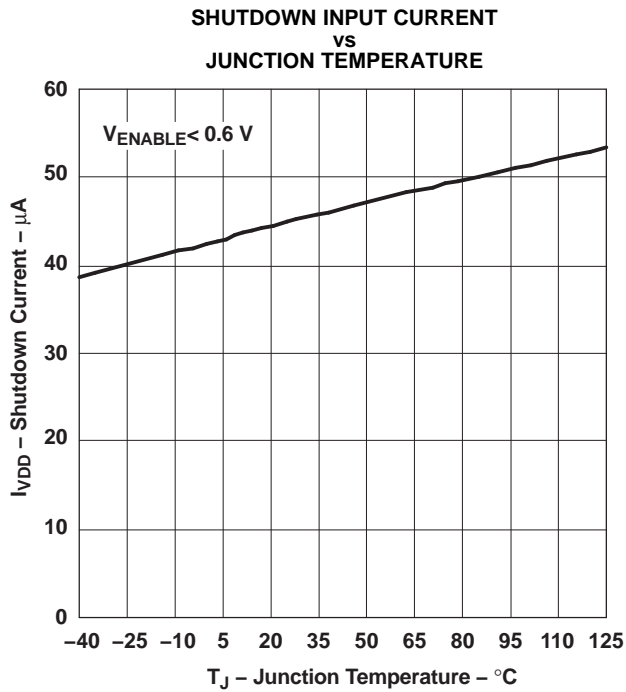


Figure 3.

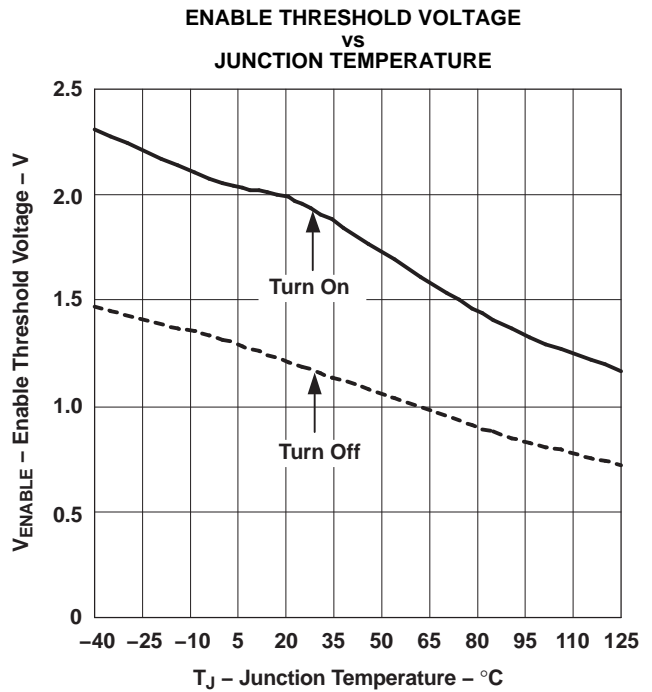


Figure 4.

TYPICAL CHARACTERISTICS (continued)

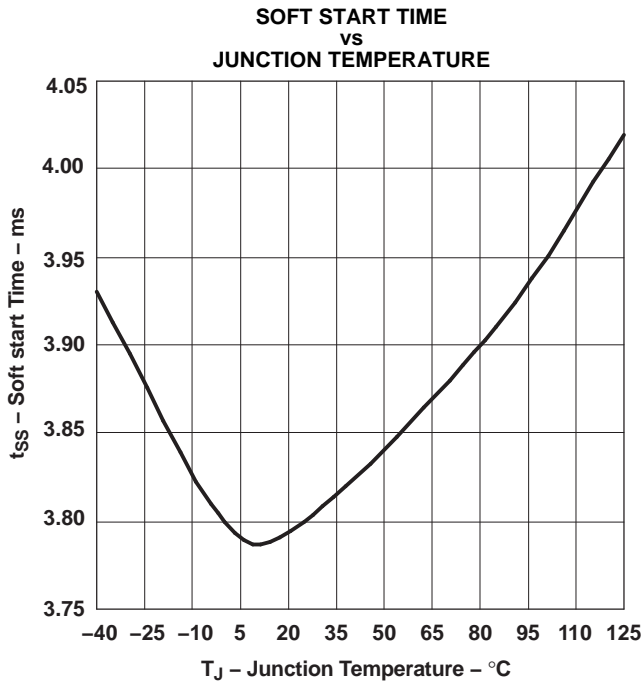


Figure 5.

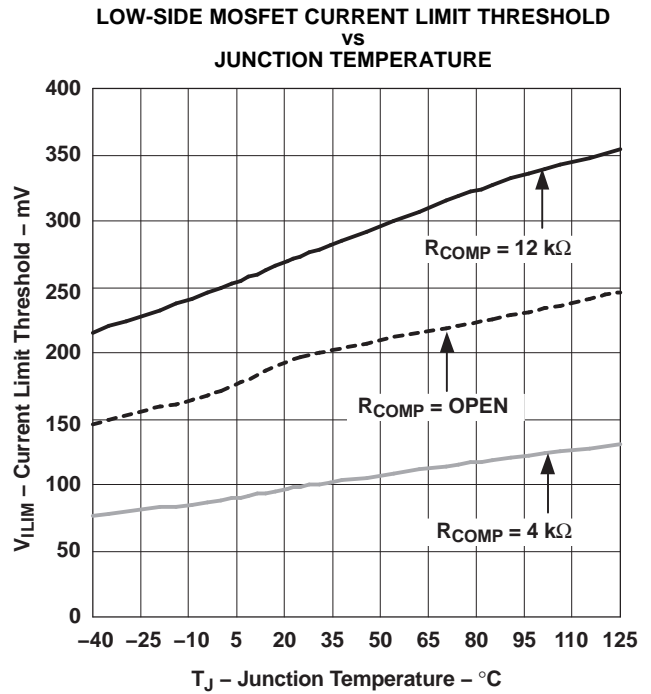


Figure 6.

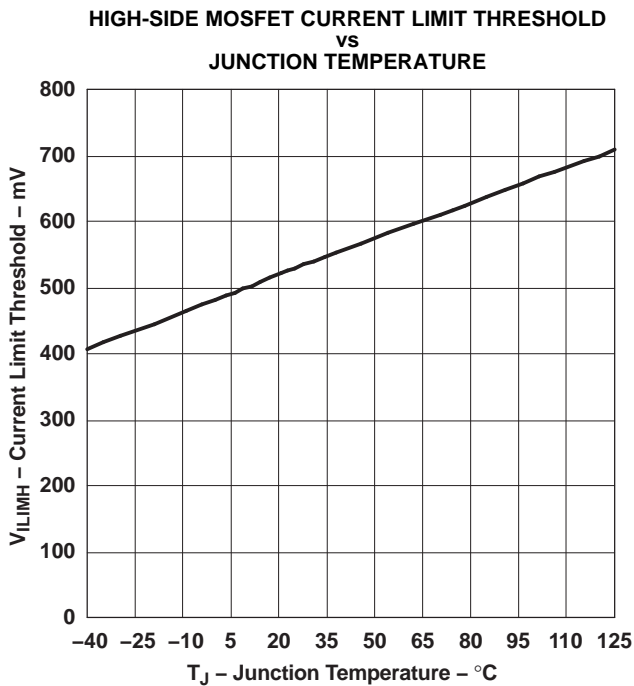


Figure 7.

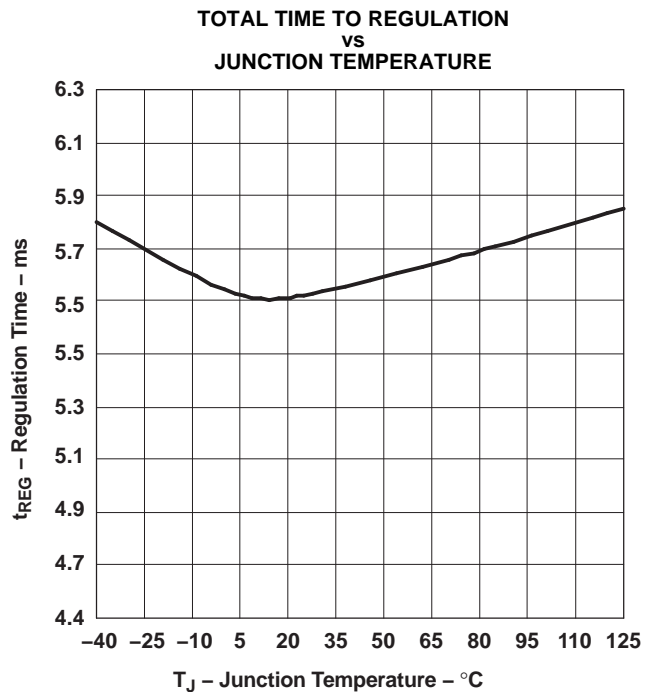


Figure 8.

TYPICAL CHARACTERISTICS (continued)

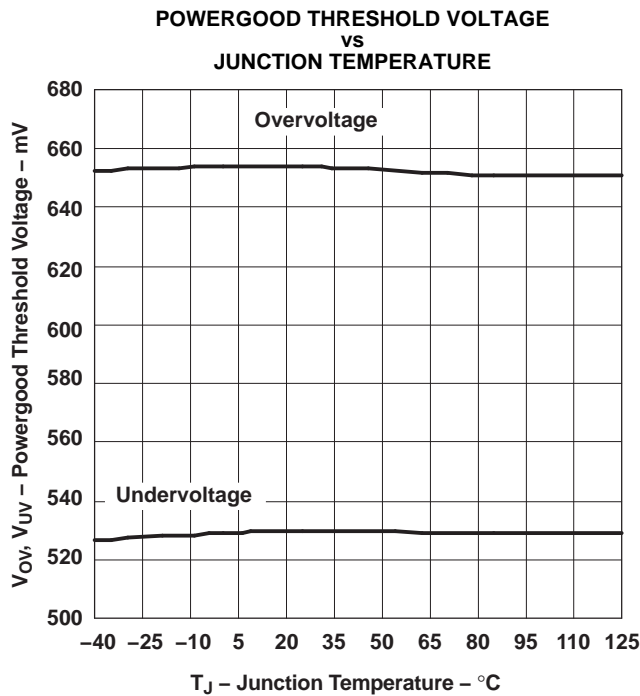


Figure 9.

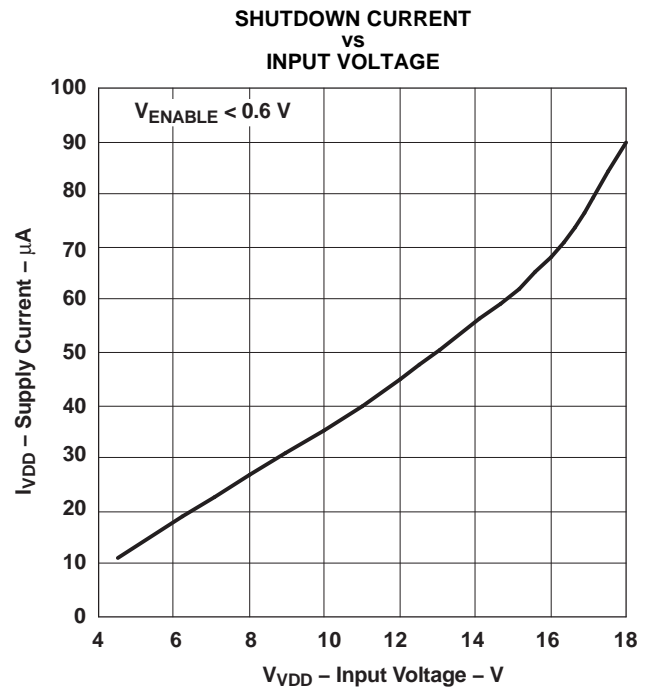


Figure 10.

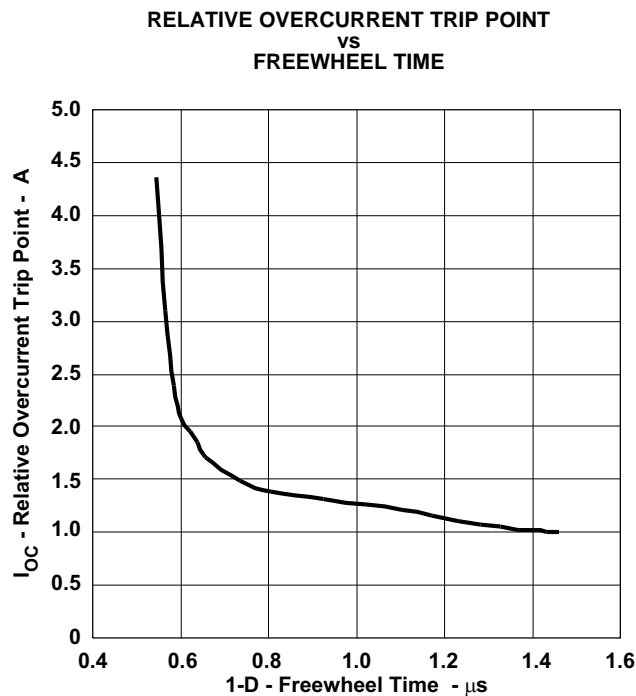


Figure 11.

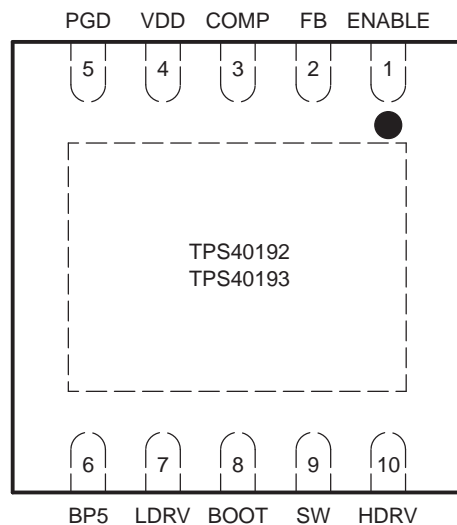


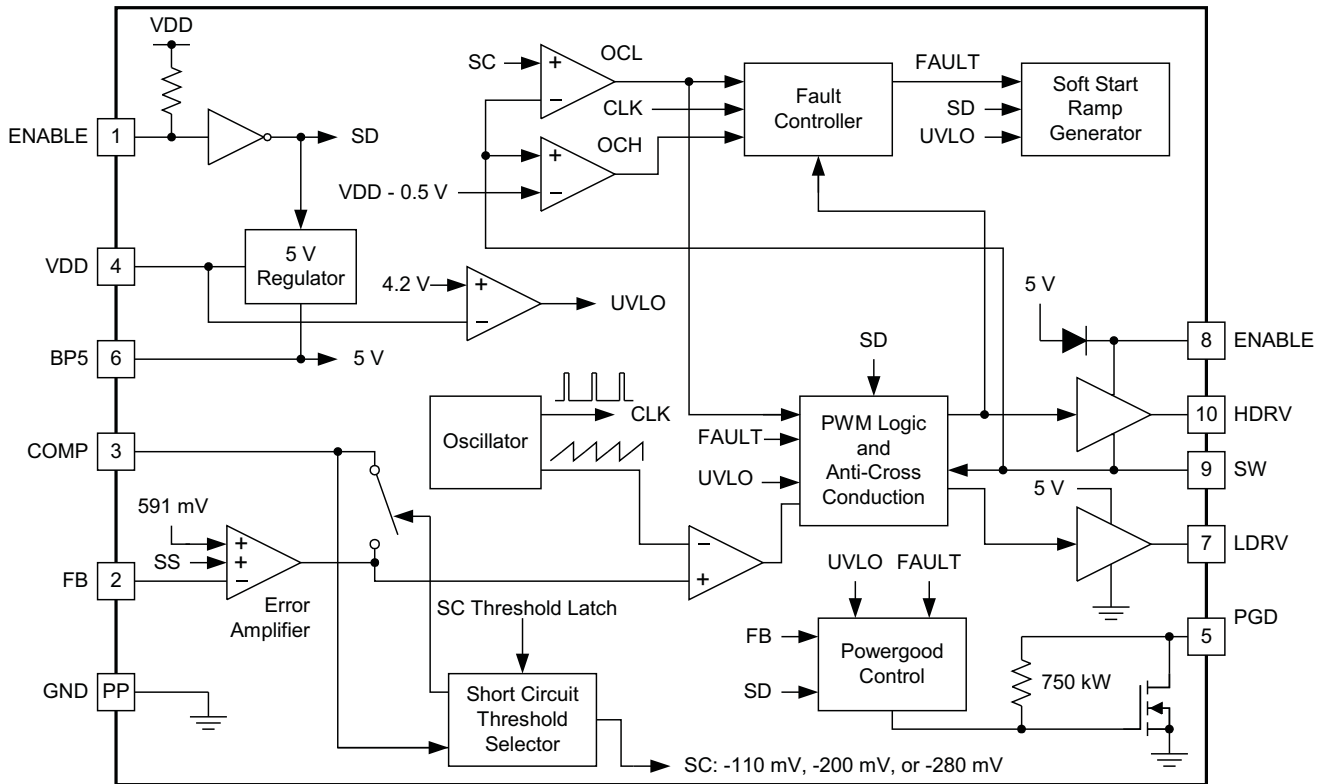
## DEVICE INFORMATION

**Table 1. TERMINAL FUNCTIONS**

| TERMINAL |      | I/O | DESCRIPTION  |
|----------|------|-----|--|
| NAME     | NO.  |     |  |
| BOOT     | 8    | I   | Gate drive voltage for the high-side N-channel MOSFET. A capacitor 100 nF typical must be connected between this pin and SW.   |
| BP5      | 6    | O   | Output bypass for the internal regulator. Connect at least 1 $\mu$ F capacitor from this pin to GND. Larger capacitors, up to 4.7 $\mu$ F will improve noise performance when using a low side FET with a gate charge of 25nC or greater. Low power, low noise loads may be connected here if desired. The sum of the external load and the gate drive requirements must not exceed 50 mA. This regulator is turned off when ENABLE is pulled low. |
| COMP     | 3    | O   | Output of the error amplifier.   |
| ENABLE   | 1    | I   | Logic level input which starts or stops the controller from an external user command. A high-level turns the controller on. A weak internal pull-up holds this pin high so that the pin may be left floating if this function is not used.   |
| FB       | 2    | I   | Inverting input to the error amplifier. In normal operation the voltage on this pin is equal to the internal reference voltage (591 mV typical)  |
| GND      | (11) | -   | Thermal pad ground connection. Common reference for the device. Connect to the system GND.   |
| HDRV     | 10   | O   | Bootstrapped output for driving the gate of the high side N channel FET.   |
| LDRV     | 7    | O   | Output to the rectifier MOSFET gate  |
| PGD      | 5    | O   | Open drain power good output   |
| SW       | 9    | I   | Sense line for the adaptive anti-cross conduction circuitry. Serves as common connection for the flying high side MOSFET driver  |
| VDD      | 4    | I   | Power input to the controller  |

### DRC PACKAGE (TOP VIEW)





UDG-06064

## APPLICATION INFORMATION

### Introduction

The TPS40192 and TPS40193 are cost optimized controllers providing all the necessary features to construct a high performance DC/DC converter while keeping costs to a minimum. Support for pre-biased outputs eliminates concerns about damaging sensitive loads during startup. Strong gate drivers for the high side and rectifier N-channel MOSFETs decrease switching losses for increased efficiency. Adaptive gate drive timing prevents shoot through and minimizes body diode conduction in the rectifier MOSFET, also increasing efficiency. Selectable short circuit protection thresholds and hiccup recovery from a short circuit increase design flexibility and minimize power dissipation in the event of a prolonged output fault. A dedicated enable pin (ENABLE) allows the converter to be placed in a very low quiescent current shutdown mode. Internally fixed switching frequency and soft-start time reduce external component count, simplifying design and layout, as well as reducing footprint and cost. The 3 mm × 3 mm package size also contributes to a reduced overall converter footprint.

### Voltage Reference

The band gap cell is designed with a trimmed 591 mV output. The 0.5% tolerance on the reference voltage allows the user to design a very accurate power-supply.

### Oscillator

The TPS40192 has a fixed internal switching frequency of 600 kHz while the TPS40193 operates at 300 kHz.

### UVLO

When the input voltage is below the UVLO threshold, the device holds all gate drive outputs in the low (OFF) state. When the input rises above the UVLO threshold, and the ENABLE pin is above the turn ON threshold, the oscillator begins to operate and the start-up sequence is allowed to begin. The UVLO level is internally fixed at 4.2 V.

### Enable Functionality

The TPS40192 and TPS40193 have a dedicated ENABLE pin. This simplifies user level interface design since no multiplexed functions exist. Another benefit is a true low power shutdown mode of operation. When the ENABLE pin is pulled to GND, all unnecessary functions, including the BP5 regulator, are turned off, reducing the device IDD current to 45- $\mu$ A. A functionally equivalent circuit of the enable circuitry shown in Figure 12.

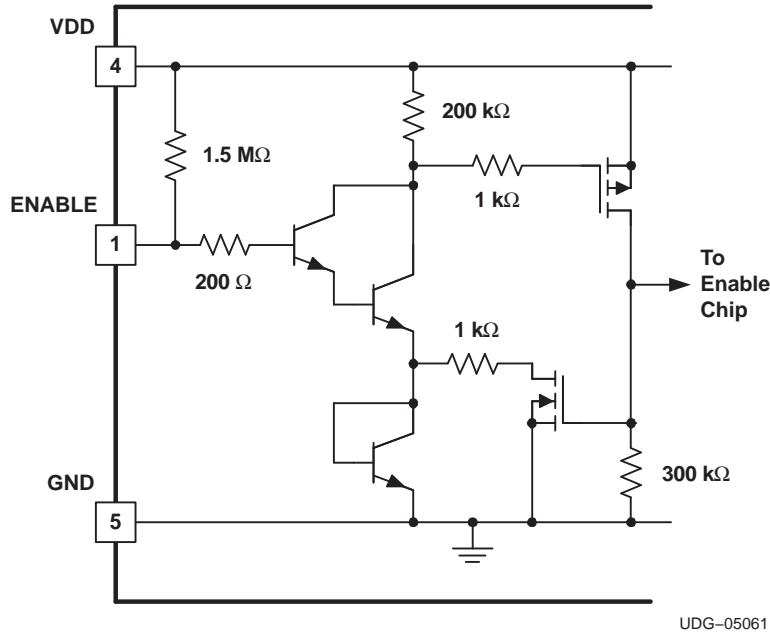


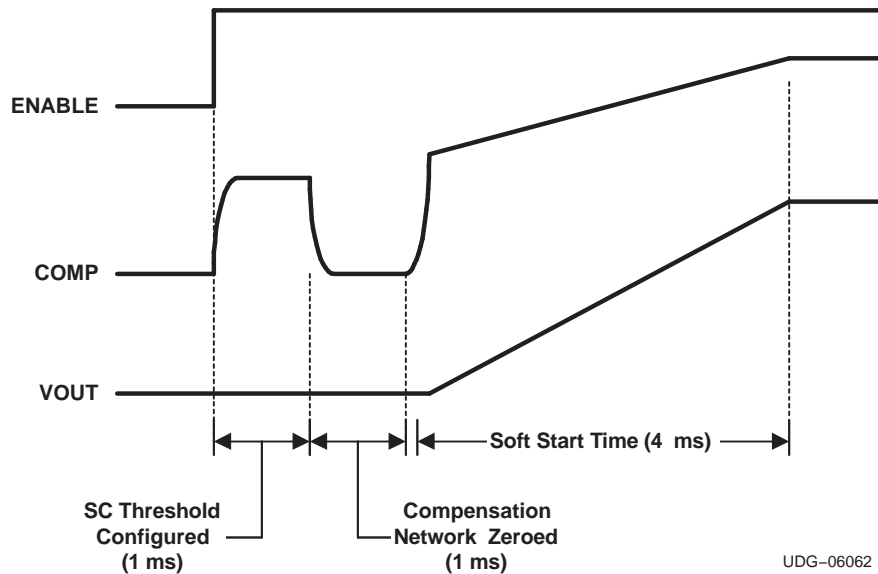
Figure 12. TPS40192 ENABLE Pin Internal Circuitry

If the ENABLE pin is left floating, the chip starts automatically. The pin must be pulled to less than 600 mV to guarantee that the TPS40192/3 is in shutdown mode. Note that the ENABLE pin is relatively high impedance. In some situations, there could be enough noise nearby to cause the ENABLE pin to swing below the 600 mV threshold and give erroneous shutdown commands to the rest of the device. There are two solutions to this problem should it arise.

1. Place a capacitor from ENABLE to GND. A side effect of this is to delay the start of the converter while the capacitor charges past the enable threshold
2. Place a resistor from VDD to ENABLE. This causes more current to flow in the shutdown mode, but does not delay converter startup. If a resistor is used, the total current into the ENABLE pin should be limited to no more than 500  $\mu$ A.

### Startup Sequence and Timing

The TPS40192/3 startup sequence is as follows. After input power is applied, the 5-V onboard regulator comes up. Once this regulator comes up, the device goes through a period where it samples the impedance at the COMP pin and determines the short circuit protection threshold voltage, by placing 400 mV on the COMP pin for approximately 1 ms. During this time, the current is measured and compared against internal thresholds to select the short circuit protection threshold. After this, the COMP pin is brought low for 1 ms. This ensures that the feedback loop is preconditioned at startup and no sudden output rise occurs at the output of the converter when the converter is allowed to start switching. After these initial two milliseconds, the internal soft-start circuitry is engaged and the converter is allowed to start. See [Figure 13](#).



UDG-06062

**Figure 13. Startup Sequence**

### Selecting the Short Circuit Current

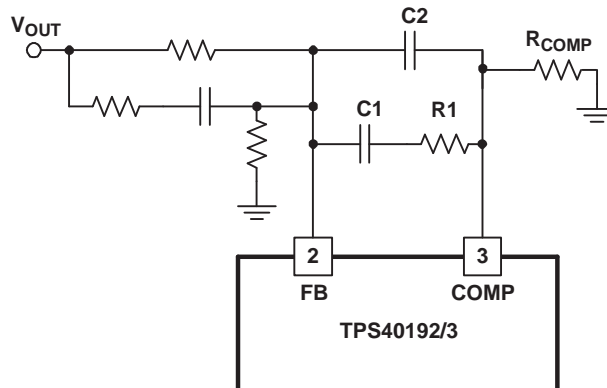
A short circuit in the TPS40192/3 is detected by sensing the voltage drop across the low-side FET when it is on, and across the high-side FET when it is on. If the voltage drop across either FET exceeds the short circuit threshold in any given switching cycle, a counter increments one count. If the voltage across the high-side FET was higher than the short circuit threshold during a cycle, the counter is decremented for that cycle. If the counter fills up (a count of 7) a fault condition is declared and the drivers turn off both MOSFETs. After a timeout of approximately 50 ms, the controller attempts to restart. If a short circuit is still present at the output, the current quickly ramps up to the short circuit threshold and another fault condition is declared and the process of waiting for the 50 ms an attempting to restart repeats. The low side threshold will increase as the low side on time decreases due to blanking time and comparator response time. See Figure 11 for changes in the threshold as the low side FET conduction time decreases.

The TPS40192/3 provides three selectable short circuit protection thresholds for the low side FET: 100 mV, 200 mV and 280 mV. The particular threshold is selected by connecting a resistor from COMP to GND. Table 2 shows the short circuit thresholds for corresponding resistors from COMP to GND. When designing the compensation for the feedback loop, remember that a low impedance compensation network combined with a long network time constant can cause the short circuit threshold setting to not be as expected. The time constant and impedance of the network connected from COMP to FB should be as in Equation 1 to guarantee no interaction with the short circuit threshold setting.

$$\frac{0.4 \text{ V}}{R1} \times e\left(\frac{-t}{R1 \times C1}\right) < 10 \mu\text{A} \tag{1}$$

where

- t is 1 ms, the sampling time of the short circuit threshold setting circuit
- R1 and C1 are the values of the components in Figure 14



UDG-06061

Figure 14. Short Circuit Threshold Feedback Network

**Table 2. Short Circuit Threshold Voltage Selection**

| COMPARATOR RESISTANCE<br>$R_{COMP}$ (k $\Omega$ ) | CURRENT LIMIT THRESHOLD<br>VOLTAGE (mV)<br>$V_{ILIM}(V)$ |
|---|--|
| 12 $\pm$ 10%                                      | 280  |
| Open  | 200  |
| 4 $\pm$ 10%                                       | 100  |

The range of short circuit current thresholds that can be expected is shown in [Equation 2](#) and [Equation 3](#).

$$I_{SCP(max)} = \frac{V_{ILIM(max)}}{R_{DS(on)min}} \quad (2)$$

$$I_{SCP(min)} = \frac{V_{ILIM(min)}}{R_{DS(on)max}} \quad (3)$$

where

- $I_{SCP}$  is the short circuit current
- $V_{ILIM}$  is the short circuit threshold for the low-side MOSFET
- $R_{DS(on)}$  is the channel resistance of the low-side MOSFET

Note that due to blanking time considerations, overcurrent threshold accuracy may fall off for duty cycle greater than 75% with the TPS40192, or 88% with the TPS40193. The reason for this is that the over current comparator will have only a very short time to sample the SW pin voltage under these conditions and may not have time to respond to voltages very near the threshold.

The short circuit protection threshold for the high-side MOSFET is fixed at 550 mV typical, 400 mV minimum. This threshold is in place to provide a maximum current output using pulse by pulse current limit in the case of a fault. The pulse will be terminated when the voltage drop across the high side FET exceeds the short circuit threshold. The maximum amount of current that can be guaranteed to be sourced from a converter can be found by [Equation 4](#).

$$I_{OUT(max)} = \frac{V_{ILIMH(min)}}{R_{DS(on)max}} \quad (4)$$

where

- $I_{OUT(max)}$  is the maximum current that the converter is guaranteed to source
- $V_{ILIMH(min)}$  is the short circuit threshold for the high-side MOSFET (400 mV)
- $R_{DS(on)max}$  is the maximum resistance of the high-side MOSFET

If the required current from the converter is greater than the calculated  $I_{OUT(max)}$ , a lower resistance high-side MOSFET must be chosen. Both the high side and low side thresholds use temperature compensation to approximate the change in resistance for a typical power MOSFET. This will help counteract shifts in overcurrent thresholds as temperature increases. For this to be effective, the MOSFETs and the IC must be well coupled thermally.

## 5-V Regulator

These devices have an on board 5-V regulator that allows the parts to operate from a single voltage feed. No separate 5-V feed to the part is required. This regulator needs to have a minimum of 1- $\mu$ F of capacitance on the BP5 pin to guarantee stability. A ceramic capacitor is suggested for this purpose.

This regulator can also be used to supply power to nearby circuitry, eliminating the need for a separate LDO in some cases. If this pin is used for external loads, be aware that this is the power supply for the internals of the TPS40192/3. While efforts have been made to reduce sensitivity, any noise induced on this line has an adverse effect on the overall performance of the internal circuitry and shows up as increased pulse jitter, or skewed reference voltage. Also, when the device is disabled by pulling the EN pin low, this regulator is turned off and will not be available to supply power.

The amount of power available from this pin varies with the size of the power MOSFETs that the drivers must operate. Larger MOSFETs require more gate drive current and reduce the amount of power available on this pin for other tasks. The total current that can be drawn from this pin by both the gate drive and external loads cannot exceed 50mA. The IC itself will use up to 4mA from the regulator and the total gate drive current can be found from [Equation 5](#).

For regulator stability, a 1- $\mu$ F capacitor is required to be connected from BP5 to GND. In some applications using higher gate charge MOSFETs, a larger capacitor is required for noise suppression. For a total gate charge of both the high and low side MOSFETs greater than 20 nC, a 2.2- $\mu$ F or larger capacitor is recommended.

$$I_G = f_{SW} \times (Q_{G(\text{high})} + Q_{G(\text{low})}) \quad (5)$$

where

- $I_G$  is the required gate drive current
- $f_{SW}$  is the switching frequency (600 kHz for TPS40192, and 300 kHz for TPS40193)
- $Q_{G(\text{high})}$  is the gate charge requirement for the high-side FET when  $V_{GS}=5$  V
- $Q_{G(\text{low})}$  is the gate charge requirement for the low-side FET when  $V_{GS}=5$  V



## Pre-Bias Startup

The TPS40192/3 contains a unique circuit to prevent current from being *pulled* from the output during startup in the condition the output is pre-biased. When the soft-start commands a voltage higher than the pre-bias level (internal soft-start becomes greater than feedback voltage  $[V_{FB}]$ ), the controller slowly activates synchronous rectification by starting the first LDRV pulses with a narrow on-time. It then increments that on-time on a cycle-by-cycle basis until it coincides with the time dictated by  $(1-D)$ , where  $D$  is the duty cycle of the converter. This scheme prevents the initial sinking of the pre-bias output, and ensures that the out voltage ( $V_{OUT}$ ) starts and ramps up smoothly into regulation and the control loop is given time to transition from pre-biased startup to normal mode operation with minimal disturbance to the output voltage. The amount of time from the start of switching until the low-side MOSFET is turned on for the full  $(1-D)$  interval is defined by 32 clock cycles.

## Drivers

The drivers for the external HDRV and LDRV MOSFETs are capable of driving a gate-to-source voltage of 5 V. The LDRV driver switches between VDD and GND, while HDRV driver is referenced to SW and switches between BOOT and SW. The drivers have non-overlapping timing that is governed by an adaptive delay circuit to minimize body diode conduction in the synchronous rectifier. The drivers are capable of driving MOSFETs that are appropriate for a 15-A (TPS40192) or 20A (TPS40193) converter.

## Power Good

The TPS40192/3 provides an indication that output power is good for the converter. This is an open drain signal and pulls low when any condition exists that would indicate that the output of the supply might be out of regulation. These conditions include:

- $V_{FB}$  is more than  $\pm 10\%$  from nominal
- soft-start is active
- an undervoltage condition exists for the device
- a short circuit condition has been detected
- die temperature is over  $(145^{\circ}\text{C})$

### NOTE:

When there is no power to the device, PGOOD is not able to pull close to GND if an auxiliary supply is used for the power good indication. In this case, a built in resistor connected from drain to gate on the PGOOD pull down device makes the PGOOD pin look approximately like a diode to GND.

## Thermal Shutdown

If the junction temperature of the device reaches the thermal shutdown limit of  $145^{\circ}\text{C}$ , the PWM and the oscillator are turned off and HDRV and LDRV are driven low, turning off both FETs. When the junction cools to the required level ( $125^{\circ}\text{C}$  nominal), the PWM initiates soft start as during a normal power up cycle.

## Layout Recommendations and Sample Layout

### Layout Recommendations:

- PowerPad™ is the device's(U1) only GND connection. PowerPad™ must be connected to ground.
- PowerPad™ should be directly connected to SYNC FET (Q3) source with short, wide trace.
- Locate 3-5 vias in PowerPad™ land to remove heat from the device.
- Connect input capacitors (C7 & C9) and output capacitors (C8 & C10) grounds directly to SYNC FET (Q3) source with wide copper trace or solid power ground island.
- Locate input capacitors (C7 & C9), MOSFETs (Q2 & Q3), inductor (L1) and output capacitor (C8 & C10) over power ground island.
- Use short, wide traces for LDRV and HDRV MOSFET connections.
- Route SW trace near HDRV trace.
- Route GND trace near LDRV trace.
- Use separate analog ground island under feedback components (C1, C2, C3, R5, R6, R7, R8 & R10).
- Connect ground islands at PowerPad™ with 10-mil wide trace opposite SYNC FET (Q2) source connection.

### Sample Layout:

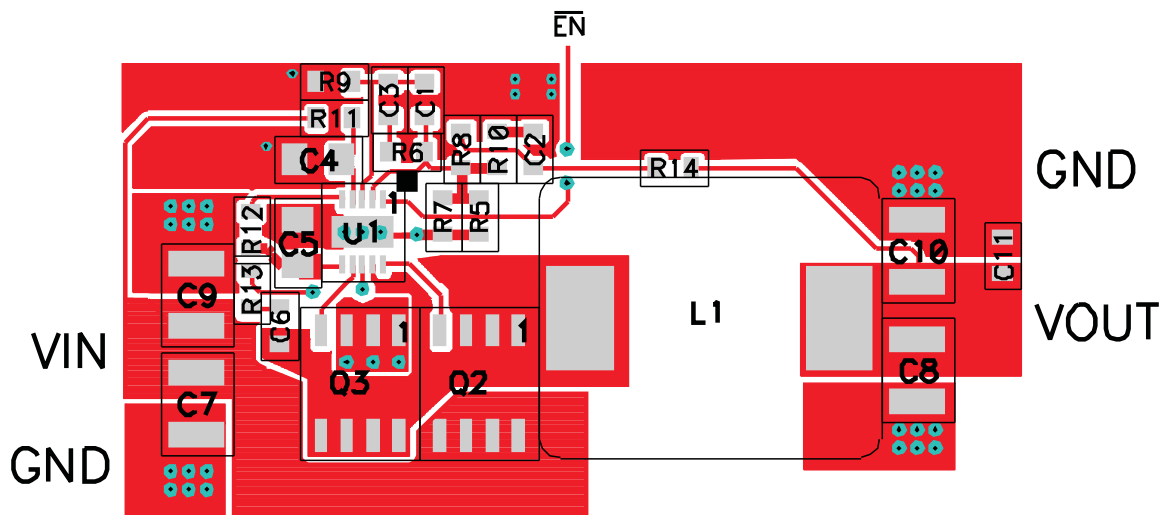


Figure 15. TPS40192/3 Sample Layout - Component Placement and Top Side Copper

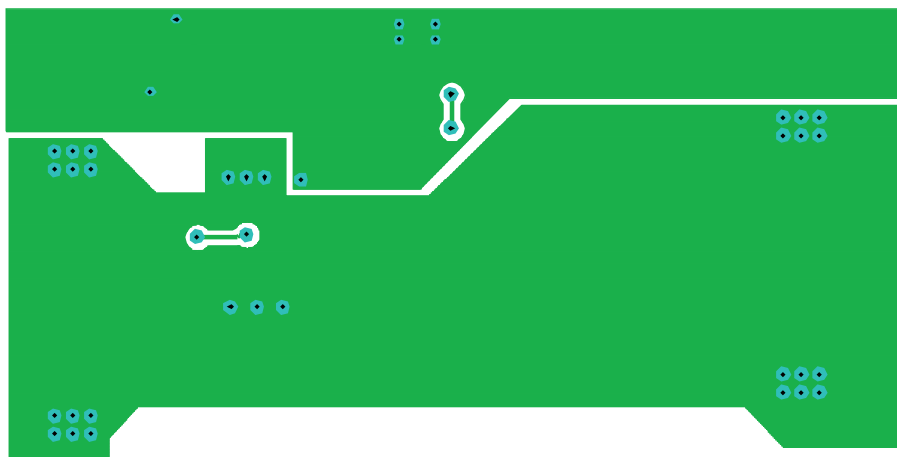


Figure 16. TPS40192/3 Sample Layout - Bottom Side Copper (X-Ray view from Top)

## DESIGN EXAMPLE

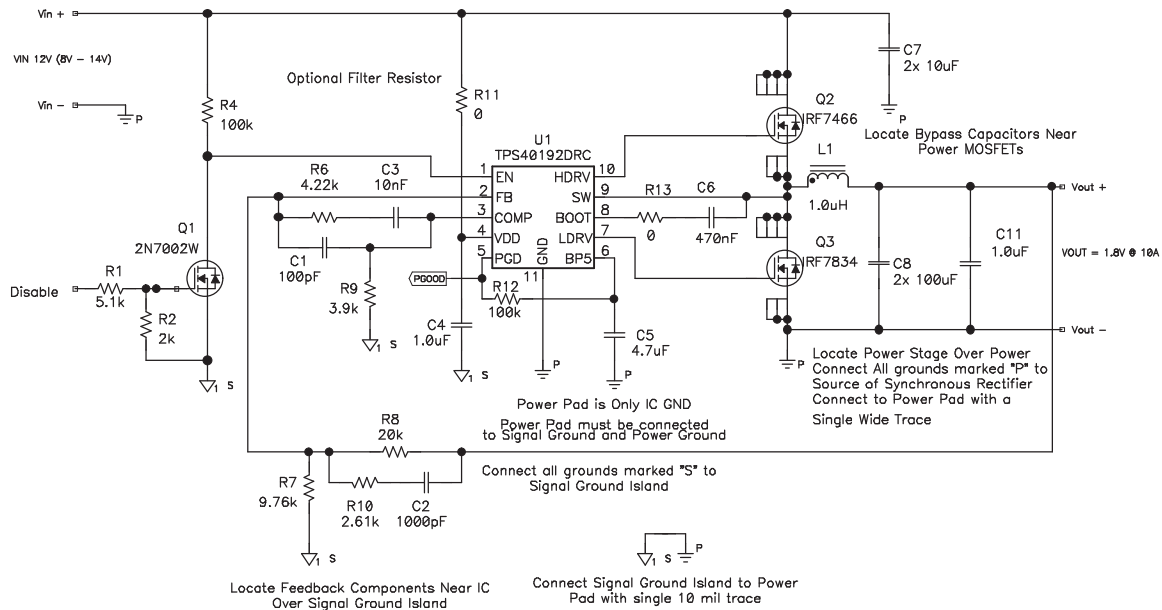
### Introduction

This example illustrates the design process and component selection for a 12 V to 1.8 V point-of-load synchronous buck regulator using the TPS40192. A definition of symbols used can be found in [Table 8](#) of this datasheet.

**Table 3. Design Example Electrical Characteristics**

| PARAMETER                                  | TEST CONDITION                               | MIN   | NOM   | MAX   | UNIT |
|--|--|-------|-------|-------|------|
| $V_{IN}$ Input voltage                     |  | 8     |       | 14    | V    |
| $V_{IN(ripple)}$ Input ripple              | $I_{OUT} = 10\text{ A}$                      |       |       | 0.6   |      |
| $V_{OUT}$ Output voltage                   | $0\text{ A} \leq I_{OUT} \leq 10\text{ A}$   | 1.764 | 1.800 | 1.836 |      |
| Line regulation                            | $8.0\text{ V} \leq V_{IN} \leq 14\text{ V}$  |       |       | 0.5%  | mV   |
| Load regulation                            | $0\text{ A} \leq I_{OUT} \leq 10\text{ A}$   |       |       | 0.5%  |      |
| $V_{RIPPLE}$ Output ripple                 | $I_{OUT} = 10\text{ A}$                      |       |       | 36    |      |
| $V_{OVER}$ Output overshoot                | $3\text{ A} \leq I_{OUT} \leq 7\text{ A}$    |       | 50    |       | mV   |
| $V_{UNDER}$ Output undershoot              |  |       | 50    |       |      |
| $I_{OUT}$ Output current                   |  | 0     |       | 10    | A    |
| $I_{SCP}$ Short circuit current trip point |  |       |       |       |      |
| $\eta$ Efficiency                          | $V_{IN} = 12\text{ V}, I_{OUT} = 5\text{ A}$ |       |       | 90%   |      |
| $f_{SW}$ Switching frequency               |  |       | 600   |       | kHz  |
| Size                                       |  |       |       |       |      |

The list of materials for this application is shown [Table 7](#). The efficiency, line and load regulation from boards built using this design are shown in [Figure 17](#) and [Table 3](#). Gerber Files and additional application information are available from the factory.



**Figure 17. TPS40192 Sample Schematic**

## Design Procedure

### Selecting the Switching Frequency

For this design the TPS40192, with  $f_{SW} = 600$  kHz, is selected to reduce inductor and capacitor sizes.

### Inductor Selection

The inductor is typically sized for approximately 30% peak-to-peak ripple current ( $I_{RIPPLE}$ ). Given this target ripple current, the required inductor size can be calculated by [Equation 6](#).

$$L \approx \frac{V_{IN(max)} - V_{OUT}}{0.3 \times I_{OUT}} \times \frac{V_{OUT}}{V_{IN(max)}} \times \frac{1}{f_{SW}} \quad (6)$$

Solving this for

- $V_{IN(max)} = 14$  V
- $V_{OUT} = 1.8$  V
- $I_{OUT} = 10$  A
- $f_{SW} = 600$  kHz

an inductor value of  $0.87 \mu\text{H}$  is obtained.

A standard value of  $1.0 \mu\text{H}$  is selected. Solving for  $I_{RIPPLE}$  with  $1.0 \mu\text{H}$  results in 2.6-A peak-to-peak ripple.

The RMS current through the inductor is approximated by [Equation 7](#).

$$I_{L(rms)} = \sqrt{(I_{L(avg)})^2 + \frac{1}{12}(I_{RIPPLE})^2} = \sqrt{(I_{OUT})^2 + \frac{1}{12}(I_{RIPPLE})^2} \quad (7)$$

Using [Equation 7](#), the maximum RMS current in the inductor is approximately 10.03 A

## Output Capacitor Selection (C8)

The selection of the output capacitor is typically driven by the output transient response. The [Equation 8](#) and [Equation 9](#) overestimate the voltage deviation to account for delays in the loop bandwidth and can be used to determine the required output capacitance.

$$V_{\text{OVER}} < \frac{I_{\text{TRAN}}}{C_{\text{OUT}}} \times \Delta T = \frac{I_{\text{TRAN}}}{C_{\text{OUT}}} \times \frac{I_{\text{TRAN}} \times L}{V_{\text{OUT}}} = \frac{(I_{\text{TRAN}})^2 \times L}{V_{\text{OUT}} \times C_{\text{OUT}}} \quad (8)$$

$$V_{\text{UNDER}} < \frac{I_{\text{TRAN}}}{C_{\text{OUT}}} \times \Delta T = \frac{I_{\text{TRAN}}}{C_{\text{OUT}}} \times \frac{I_{\text{TRAN}} \times L}{V_{\text{IN}} - V_{\text{OUT}}} = \frac{(I_{\text{TRAN}})^2 \times L}{(V_{\text{IN}} - V_{\text{OUT}}) \times C_{\text{OUT}}} \quad (9)$$

If

- $V_{\text{IN}(\text{min})} > 2 \times V_{\text{OUT}}$ , use overshoot to calculate minimum output capacitance.
- $V_{\text{IN}(\text{min})} < 2 \times V_{\text{OUT}}$ , use undershoot to calculate minimum output capacitance.

$$C_{\text{OUT}(\text{min})} = \frac{(I_{\text{TRAN}(\text{max})})^2 \times L}{V_{\text{OUT}} \times V_{\text{OVER}}} \quad (10)$$

Based on a 4-A load transient with a maximum 50 mV overshoot at 8.0 V input, calculate a minimum 178- $\mu\text{F}$  output capacitance.

With a minimum capacitance, the maximum allowable ESR is determined by the maximum ripple voltage and is approximated by [Equation 11](#).

$$\text{ESR}_{\text{MAX}} < \frac{V_{\text{RIPPLE}(\text{tot})} - V_{\text{RIPPLE}(\text{cap})}}{C_{\text{OUT}}} = \frac{V_{\text{RIPPLE}(\text{tot})} - \left( \frac{I_{\text{RIPPLE}}}{C_{\text{OUT}} \times f_{\text{SW}}} \right)}{I_{\text{RIPPLE}}} \quad (11)$$

Based on 178  $\mu\text{F}$  of capacitance, 2.6-A ripple current, 600-kHz switching frequency and 36-mV ripple voltage, calculate a capacitive ripple of 24.3 mV and a maximum ESR of 4.4 m $\Omega$ .

Two 1206 100- $\mu\text{F}$ , 6.3-V X5R ceramic capacitors are selected to provide more than 178- $\mu\text{F}$  of minimum capacitance and less than 4.4 m $\Omega$  of ESR (2.5 m $\Omega$  each).

## Peak Current Rating of the Inductor

With output capacitance, it is possible to calculate the charge current during start-up and determine the minimum saturation current rating for the inductor. The start-up charging current is approximated by [Equation 12](#).

$$I_{\text{CHARGE}} = \frac{V_{\text{OUT}} \times C_{\text{OUT}}}{T_{\text{SS}}} \quad (12)$$

Using the TPS40192's minimum soft-start time of 3.0 ms,  $C_{\text{OUT}} = 240 \mu\text{F}$  and  $V_{\text{OUT}} = 1.8 \text{ V}$ ,  $I_{\text{CHARGE}} = 144 \text{ mA}$ .

$$I_{\text{L}(\text{peak})} = I_{\text{OUT}(\text{max})} + \frac{1}{2} I_{\text{RIPPLE}} + I_{\text{CHARGE}} \quad (13)$$

**Table 4. Inductor Requirements**

| PARAMETER                        | SYMBOL                      | VALUE | UNITS         |
|----------------------------------|-----------------------------|-------|---------------|
| Inductance                       | L                           | 1.0   | $\mu\text{H}$ |
| RMS current (thermal rating)     | $I_{\text{L}(\text{rms})}$  | 10.03 | A             |
| Peak current (saturation rating) | $I_{\text{L}(\text{peak})}$ | 11.3  |               |

A PG0083.102 1.0- $\mu\text{H}$  is selected for its small size, low DCR (6.6 m $\Omega$ ) and high current handling capability (12 A thermal, 17 A saturation)

### Input Capacitor Selection (C7)

The input voltage ripple is divided between capacitance and ESR. For this design  $V_{\text{RIPPLE}(\text{cap})} = 400 \text{ mV}$  and  $V_{\text{RIPPLE}(\text{ESR})} = 200 \text{ mV}$ . The minimum capacitance and maximum ESR are estimated by [Equation 14](#).

$$C_{\text{IN}(\text{min})} = \frac{I_{\text{LOAD}} \times V_{\text{OUT}}}{V_{\text{RIPPLE}(\text{cap})} \times V_{\text{IN}} \times f_{\text{SW}}} \quad (14)$$

$$\text{ESR}_{\text{MAX}} = \frac{V_{\text{RIPPLE}(\text{esr})}}{I_{\text{LOAD}} + \frac{1}{2}I_{\text{RIPPLE}}} \quad (15)$$

For this design  $C_{\text{IN}} > 9.375 \text{ } \mu\text{F}$  and  $\text{ESR} < 17.7 \text{ m}\Omega$ . The RMS current in the input capacitors is estimated by [Equation 16](#).

$$I_{\text{RMS}(\text{Cin})} = I_{\text{IN}(\text{rms})} - I_{\text{IN}(\text{avg})} = \left( I_{\text{OUT}} + \frac{1}{12}I_{\text{RIPPLE}} \right) \sqrt{\frac{V_{\text{OUT}}}{V_{\text{IN}}} - \frac{V_{\text{OUT}} \times I_{\text{OUT}}}{V_{\text{IN}}}} \quad (16)$$

For this design  $V_{\text{IN}} = 14 \text{ V}$ ,  $V_{\text{OUT}} = 1.8 \text{ V}$ ,  $I_{\text{OUT}} = 10 \text{ A}$  and  $I_{\text{RIPPLE}} = 2.6 \text{ A}$  calculate an RMS of 2.37 A, so the total of our input capacitors must support 2.37 A of RMS ripple current.

Two 1210 10- $\mu\text{F}$  25V X5R ceramic capacitors with about 2 m $\Omega$  ESR and a 2-A<sub>RMS</sub> current rating are selected. Higher voltage capacitors are selected to minimize capacitance loss at the DC bias voltage to ensure the capacitors have sufficient capacitance at the working voltage.

## MOSFET Switch Selection (Q1, Q2)

The switching losses for the high-side FET are estimated by Equation 17.

$$P_{G1\_SW} = \frac{1}{2} V_{IN} \times I_{OUT} \times T_{SW} \times f_{SW} = \frac{1}{2} V_{IN} \times I_{OUT} \times \frac{Q_{GD1}}{V_{DD} - V_{TH}} \times f_{SW} \times R_{DRV} \quad (17)$$

For this design switching losses will be highest at high-line. Designing for 1 W of total losses in each MOSFETs and 60% of the total high-side FET losses in switching losses, we can estimate our maximum gate-drain charge for the design by using Equation 18.

$$Q_{GD1} < \frac{P_{G1SW}}{V_{IN} \times I_{OUT}} \times \frac{V_{DD} - V_T}{R_{DRV}} \times \frac{1}{f_{SW}} \quad (18)$$

For a 2-V gate threshold MOSFET, the TPS40192's 5-V gate drive, and the TPS40192's 2.5-Ω drive resistance, we estimate a maximum gate-to-drain charge of 8.5 nC. The switching losses of the synchronous rectifier are lower than the switching losses of the main FET because the voltage across the FET at the point of switching is reduced to the forward voltage drop across the body diode of the SR FET and are estimated by using Equation 19.

The conduction losses in the main FET are estimated by the RMS current through the FET times its  $R_{DS(on)}$ .

$$P_{G1COM} = \left( I_{OUT} \times \frac{1}{12} I_{RIPPLE} \right)^2 \times R_{DS(on)} \times D = I_{L(rms)} \times R_{DS(on)Q1} \times \frac{V_{OUT}}{V_{IN}} \quad (19)$$

Estimating about 40% of total MOSFET losses to be high-side conduction losses, the maximum  $R_{DS(on)}$  of the high-side FET can be estimated by using Equation 20.

$$R_{DS(on)Q1} = \frac{P_{Q1C(on)}}{\left( I_{L(rms)} \right)^2 \times \frac{V_{OUT}}{V_{IN}}} \quad (20)$$

For this design with  $I_{L\_RMS} = 11.22 A_{RMS}$  and 8 V to 1.8 V design, calculate  $R_{DS(on)Q1} < 17.3 m\Omega$  for our main switching FET.

Estimating 80% of total low-side MOSFET losses in conduction losses, repeat the calculation for the synchronous rectifier, whose losses are dominated by the conduction losses. Calculate the maximum  $R_{DS(on)}$  of the synchronous rectifier by Equation 21.

$$R_{DS(on)Q2} = \frac{P_{Q2C(on)}}{\left( I_{L(rms)} \right)^2 \times \left( 1 - \frac{V_{OUT}}{V_{IN}} \right)} \quad (21)$$

For this design  $I_{L(RMS)} = 10.22 A$  at  $V_{IN} = 14 V$  to 1.8 V  $R_{DS(on)Q2(max)} = 8.8 m\Omega$ .

**Table 5. Inductor Requirements  $V_{IN} = 4.5 V$**

| PARAMETER                             | SYMBOL         | VALUE | UNITS |
|---------------------------------------|----------------|-------|-------|
| High-side MOSFET on-resistance        | $R_{DS(on)}$   | 17.3  | mΩ    |
| High-side MOSFET gate-to-drain charge | $Q_{GD1}$      | 8.5   | nC    |
| Low-side MOSFET on-resistance         | $R_{DS(on)Q2}$ | 8.8   | mΩ    |

The IRF7466 has an  $R_{DS(on)MAX}$  of 17 mΩ at 4.5-V gate drive and only 8.0-nC  $V_{GD}$  "Miller" charge with a 4.5-V gate drive, and is chosen as a high-side FET. The IRF7834 has an  $R_{DS(on)MAX}$  of 5.5 mΩ at 4.5-V gate drive and 44 nC of total gate charge. These two FETs have maximum total gate charges of 23 nC and 44 nC respectively, which draws 40.2-mA from the 5-V regulator, less than its 50-mA minimum rating.

### Boot Strap Capacitor

To ensure proper charging of the high-side FET gate, limit the ripple voltage on the boost capacitor to less than 50 mV.

$$C_{\text{BOOST}} = 20 \times Q_{G1} \quad (22)$$

Based on the IRF7466 MOSFET with a gate charge of 23 nC, we calculate minimum of 460 nF of capacitance. The next higher standard value of 470 nF is selected for the bootstrap capacitor.

### Input Bypass Capacitor (C6)

As suggested the TPS40192/93 datasheet, select a 1.0-μF ceramic bypass capacitor for VDD.

### BP5 Bypass Capacitor (C5)

The TPS40192 recommends a minimum 1.0-μF ceramic capacitance to stabilize the 5-V regulator. To limit regulator noise to less than 10 mV, the bypass capacitor is sized by using [Equation 23](#).

$$C_{\text{BP5}} = 100 \times \text{MAX}(Q_{G1}, Q_{G2}) \quad (23)$$

Since Q2 is larger than Q1 and Q2's total gate charge is 44 nC, a BP5 capacitor of 4.4-μF is calculated, and the next larger standard value of 4.7 μF is selected to limit noise on the BP5 regulator.

### Input Voltage Filter Resistor (R11)

$V_{\text{IN}(\text{min})} > 6.0 \text{ V}$  so a 0 Ω resistor is placed in the VDD resistor location. If  $V_{\text{IN}(\text{min})}$  was  $< 6.0 \text{ V}$ , an optional 1Ω to 2 Ω series VDD resistor could be used to filter switching noise from the device. Limit the voltage drop across this resistor to less than 50 mV.

$$R_{\text{VDD}} < \frac{V_{\text{RVDD}(\text{max})}}{I_{\text{DD}}} = \frac{50 \text{ mV}}{3 \text{ mA} + (Q_{G1}, Q_{G2}) \times f_{\text{SW}}} \quad (24)$$

Driving the two FETs with 23 nC and 44 nC respectively, we calculate a maximum  $I_{\text{VDD}}$  current of 43 mA and would select a 1-Ω resistor.

### Short Circuit Protection (R9)

The TPS40192/93 use the negative drop across the low-side FET during the OFF time to measure the inductor current. The voltage drop across the low-side FET is given by [Equation 25](#).

$$V_{\text{CS}} = I_{\text{L}(\text{peak})} \times R_{\text{DS}(\text{on})} \quad (25)$$

When  $8 \text{ V} \leq V_{\text{IN}} \leq 14 \text{ V}$ ,  $I_{\text{L}(\text{peak})} = 11.5 \text{ A}$  Using the IRF7834 MOSFET, we calculate a peak voltage drop of 63.3 mV.

The TPS40192's internal temperature coefficient helps compensate for the MOSFET's  $R_{\text{DS}(\text{on})}$  temperature coefficient. For this design select the short circuit protection voltage threshold of 110 mV by selecting R9 = 3.9 kΩ.



## Feedback Compensation

### Modeling the Power Stage

The DC gain of the modulator is given by [Equation 26](#).

$$A_{\text{MOD}} = \frac{dV_{\text{OUT}}}{dV_{\text{COMP}}} = \frac{dD}{V_{\text{COMP}}} \times V_{\text{IN}} = \frac{dt}{dV_{\text{RAMP}}} \times \frac{1}{T_{\text{SW}}} \times V_{\text{IN}} \quad (26)$$

Since the peak-to-peak ramp voltage given in the Electrical Characteristics Table is projected from the ramp slope over a full switching period, the modulator gain can be calculated as [Equation 27](#).

$$A_{\text{MOD}} = \frac{V_{\text{IN}}}{V_{\text{RAMP}(p-p)}} \quad (27)$$

This design finds a maximum modulator gain of 14 (23.0 dB). The L-C filter applies a double pole at the resonance frequency described in [Equation 28](#).

$$f_{\text{RES}} = \frac{1}{2\pi \times \sqrt{L \times C}} \quad (28)$$

For this design with a 1.0- $\mu\text{H}$  inductor and 2 100- $\mu\text{F}$  capacitors, the resonance frequency is approximately 11.3 kHz. At any lower frequency, the power stage has a DC gain of 23 dB and at any higher frequency the power stage gain drops off at -40 dB per decade. The ESR zero is approximated in [Equation 29](#).

$$f_{\text{ESR}} = \frac{1}{2\pi \times C_{\text{OUT}} \times R_{\text{ESR}}} \quad (29)$$

For  $C_{OUT} = 2, 100\text{-}\mu\text{F}$  and  $R_{ESR} = 2.5\text{ m}\Omega$  each,  $f_{ESR} = 636\text{ kHz}$ , greater than 1/5th the switching frequency and outside the scope of the error amplifier design. The gain of the power stage would change to -20 dB per decade above  $f_{ESR}$ . The straight line approximation the power stage gain is described in Figure 18.

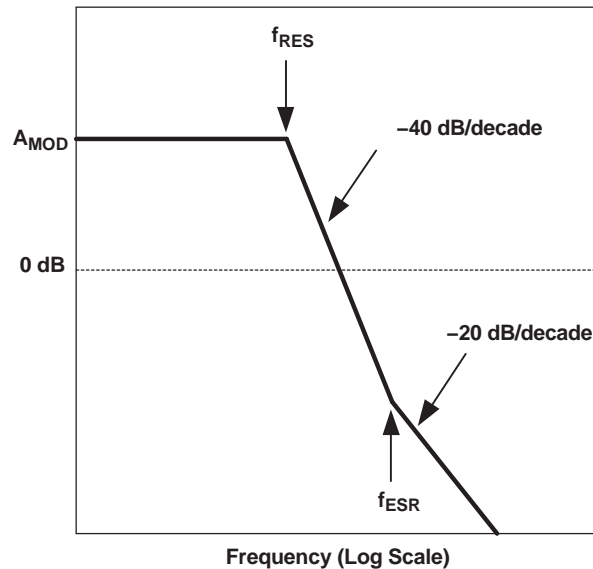


Figure 18. Approximation of Power Stage Gain

The following compensation design procedure assumes  $f_{ESR} > f_{RES}$ . For designs using large high-ESR bulk capacitors on the output where  $f_{ESR} < f_{RES}$ , Type-II compensation can be used but is not addressed in this document.

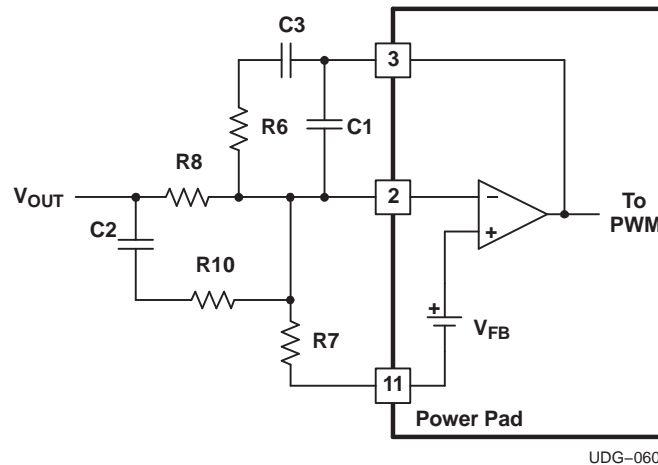


Figure 19. Type-III Compensator Used with TPS40040/41

### Feedback Divider (R7, R8)

Select R8 to be between 10 kΩ and 100 kΩ. For this design, select 20 kΩ. R7 is then selected to produce the desired output voltage when  $V_{FB} = 0.591$  V using [Equation 30](#).

$$R7 = \frac{V_{FB} \times R8}{V_{OUT} - V_{FB}} \quad (30)$$

$V_{FB} = 0.591$  V and  $R8 = 20$  kΩ for  $V_{OUT} = 1.8$  V,  $R7 = 9.78$  kΩ, so the value of 9.76 kΩ is selected as the closest standard value. A slightly lower nominal value increases the nominal output voltage slightly to compensate for some trace impedance at load.

### Error Amplifier Compensation (R6, R10, C1, C2, C3)

Place two zeros at 50% and 100% of the resonance frequency to boost the phase margin before resonance frequency generates  $-180^\circ$  of phase shift. For  $f_{RES} = 11.7$  kHz,  $F_{Z1} = 5.8$  kHz and  $F_{Z2} = 11$  kHz. Selecting the crossover frequency ( $f_{CO}$ ) of the control loop between 3 times the LC filter resonance and 1/5th the switching frequency. For most applications 1/10th the switching frequency provides a good balance between ease of design and fast transient response.

- If  $f_{ESR} < f_{CO}$   $F_{P1} = f_{ESR}$  and  $F_{P2} = 4 \times f_{CO}$ .
  - If  $f_{ESR} > 2 \times f_{CO}$ ;  $F_{P1} = f_{CO}$  and  $F_{P2} = 8 \times f_{CO}$ .
- For this design
- $f_{SW} = 600$  kHz,
  - $f_{RES} = 11.7$  kHz
  - $f_{ESR} = 636$  kHz
  - $f_{CO} = 60$  kHz and since
  - $f_{ESR} > 2 \times f_{CO}$ ,  $F_{P1} = f_{CO} = 60$  kHz and  $F_{P2} = 4 \times f_{CO} = 500$  kHz.

Since  $f_{CO} < f_{ESR}$  the power stage gain at the desired crossover can be approximated in [Equation 31](#).

$$A_{PS(f_{CO})} = A_{MOD(dc)} - 40 \times \text{LOG} \left( \frac{f_{CO}}{f_{RES}} \right) \quad (31)$$

$A_{PS(FCC)} = -5.4$  dB, and the error amplifier gain between the poles should be  $10^{5.4 \text{ dB}/20} = 1.86$ .

**Table 6. Error Amplifier Design Parameters**

| PARAMETER             | SYMBOL          | VALUE | UNITS |
|-----------------------|-----------------|-------|-------|
| First zero frequency  | $F_{Z1}$        | 5.8   | kHz   |
| Second zero frequency | $F_{Z2}$        | 11.0  |       |
| First pole frequency  | $F_{P1}$        | 60    |       |
| Second pole frequency | $F_{P2}$        | 500   |       |
| Midband gain          | $A_{MID(band)}$ | 1.86  | V/V   |

Approximate C2 with the formula described in [Equation 32](#).

$$C2 = \frac{1}{2\pi \times R8 \times f_{Z2}} \quad (32)$$

C2 = 1000 pF (A standard capacitor value to calculated 723 pF) and approximate R6 with the formula described in Equation 33.

$$R10 = \frac{1}{2\pi \times C2 \times f_{P1}} \tag{33}$$

R10 = 2.61 kΩ (Closest standard resistor value to calculated 2.65 kΩ ) Calculate R3 with Equation 34.

$$R6 = \frac{A_{MID(band)} \times (R10 \times R8)}{R10 + R8} \tag{34}$$

With  $A_{MID(band)} = 1.86$ , R10 = 2.61 kΩ and R8 = 20 kΩ , R6 = 4.22 kΩ (Closest standard resistor value to calculated 4.29 kΩ ).

Calculate C1 and C3 using Equation 35 and Equation 36.

$$C3 = \frac{1}{2\pi \times R6 \times f_{Z1}} \tag{35}$$

$$C1 = \frac{1}{2\pi \times R6 \times f_{P1}} \tag{36}$$

For R6 = 4.22kΩ , C1 = 100 pF (a standard value close to 75 pF) C3 = 1000 pF (the closest standard value to 7.5 nF) error amplifier straight line approximation transfer function is described in Figure 20.

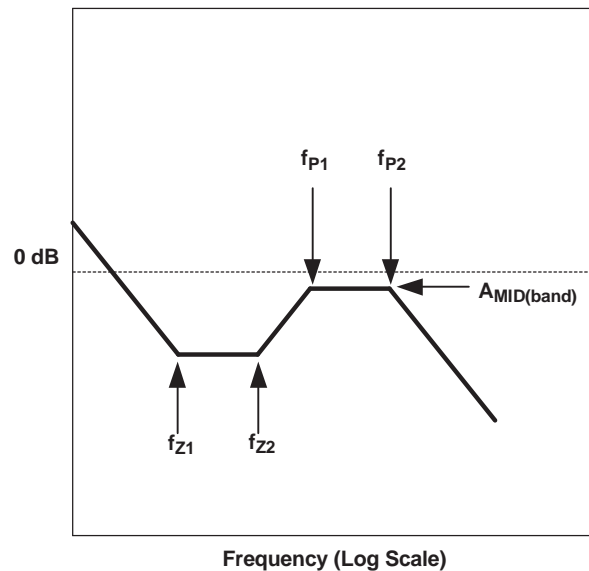


Figure 20. Error Amplifier Transfer Function Approximation

**List of Materials**
**Table 7. List of Materials**

| QTY | RefDes      | Value           | Description   | Size                  | Part Number    | MFR        |
|-----|-------------|-----------------|---|-----------------------|----------------|------------|
| 1   | C1          | 100 pF          | Capacitor, Ceramic, 10V, C0G, 10%   | 0603                  | STD            | STD        |
| 1   | C2          | 1000 pF         | Capacitor, Ceramic, 10V, C0G, 10%   | 0603                  | STD            | STD        |
| 1   | C3          | 10 nF           | Capacitor, Ceramic, 10V, C0G, 10%   | 0603                  | STD            | STD        |
| 1   | C4          | 1.0 $\mu$ F     | Capacitor, Ceramic, 25V, X5R, 20%   | 0805                  | STD            | STD        |
| 1   | C5          | 4.7 $\mu$ F     | Capacitor, Ceramic, 10V, X5R, 20%   | 0805                  | STD            | STD        |
| 1   | C6          | 470 nF          | Capacitor, Ceramic, 10V, X5R, 20%   | 0603                  | Std            | Std        |
| 2   | C7          | 10 $\mu$ F      | Capacitor, Ceramic, 25V, X5R, 20%   | 1210                  | C3225X7R1E106M | TDK        |
| 2   | C8          | 100 $\mu$ F     | Capacitor, Ceramic, 6.3V, X5R, 20%  | 1210                  | C3225X5R0J107M | TDK        |
| 1   | C11         | 1.0 $\mu$ F     | Capacitor, Ceramic, 6.3V, X5R, 20%  | 0603                  | STD            | STD        |
| 1   | L1          | 1.0 $\mu$ H     | Inductor, SMT, 1.0- $\mu$ F, 6.6 m $\Omega$ , 12 A / 17 A                                   | 0.268 x<br>0.268 inch | PG0083.102     | Pulse      |
| 1   | Q1          | 2N7002W         | Mosfet, N-Ch, V <sub>DS</sub> 60 V, R <sub>DS(on)</sub> 2 $\Omega$ , I <sub>DD</sub> 115 mA | SOT-323<br>(SC-70)    | 2N7002W-7      | Diodes Inc |
| 1   | Q2          | IRF7466         | Transistor, MOSFET, N-channel, 30 V, R <sub>DS(on)</sub> 17 m $\Omega$ , 9 A                | SO8                   | IRF7466        | IR         |
| 1   | Q3          | IRF7834         | Transistor, MOSFET, N-channel, 30 V, R <sub>DS(on)</sub> 5.5 m $\Omega$ , 9 A               | SO8                   | IRF7834        | IR         |
| 1   | R1          | 5.1 k $\Omega$  | Resistor, Chip, 1/16W, 5%   | 0603                  | Std            | Std        |
| 1   | R2          | 2 k $\Omega$    | Resistor, Chip, 1/16W, 5%   | 0603                  | Std            | Std        |
| 1   | R4          | 100 k $\Omega$  | Resistor, Chip, 1/16W, 1%   | 0603                  | Std            | Std        |
| 1   | R6          | 4.22 k $\Omega$ | Resistor, Chip, 1/16W, 1%   | 0603                  | Std            | Std        |
| 1   | R7          | 9.76 k $\Omega$ | Resistor, Chip, 1/16W, 1%   | 0603                  | Std            | Std        |
| 1   | R8          | 20 k $\Omega$   | Resistor, Chip, 1/16W, 1%   | 0603                  | Std            | Std        |
| 1   | R9          | 3.9 k $\Omega$  | Resistor, Chip, 1/16W, 5%   | 0603                  | Std            | Std        |
| 1   | R10         | 2.61 k $\Omega$ | Resistor, Chip, 1/16W, 1%   | 0603                  | Std            | Std        |
| 2   | R11,<br>R13 | 0               | Resistor, Chip, 1/16W, 5%   | 0603                  | Std            | Std        |
| 1   | R12         | 100 k $\Omega$  | Resistor, Chip, 1/16W, 5%   | 0603                  | Std            | Std        |
| 1   | U1          | TPS40192DRC     | Cost Optimized Midrange Input Voltage High-Frequency Synchronous Buck Controller            | DRC10                 | TPS40192DRC    | TI         |

**DEFINITION OF SYMBOLS**

**Table 8. Definition of Symbols**

| SYMBOL            | DESCRIPTION   |
|-------------------|---|
| $V_{IN(max)}$     | Maximum Operating Input Voltage                                     |
| $V_{IN(min)}$     | Minimum Operating Input Voltage                                     |
| $V_{IN(ripple)}$  | Peak to Peak AC ripple voltage on $V_{IN}$                          |
| $V_{OUT}$         | Target Output Voltage   |
| $V_{OUT(ripple)}$ | Peak to Peak AC ripple voltage on $V_{OUT}$                         |
| $I_{OUT(max)}$    | Maximum Operating Load Current                                      |
| $I_{RIPPLE}$      | Peak-to-Peak ripple current through Inductor                        |
| $I_{L(peak)}$     | Peak Current through Inductor                                       |
| $I_{L(rms)}$      | Root Mean Squared Current through Inductor                          |
| $I_{RMS(Cin)}$    | Root Mean Squared Current through Input Capacitor                   |
| $f_{SW}$          | Switching Frequency   |
| $f_{CO}$          | Desired Control Loop Crossover frequency                            |
| $A_{MOD}$         | Low Frequency Gain of the PWM Modulator ( $V_{OUT} / V_{CONTROL}$ ) |
| $V_{CONTROL}$     | PWM Control Voltage (Error Amplifier Output Voltage $V_{COMP}$ )    |
| $f_{RES}$         | L-C Filter Resonant Frequency                                       |
| $f_{ESR}$         | Output Capacitors' ESR zero Frequency                               |
| $F_{P1}$          | First Pole Frequency in Error Amplifier Compensation                |
| $F_{P2}$          | Second Pole Frequency in Error Amplifier Compensation               |
| $F_{Z1}$          | First Zero Frequency in Error Amplifier Compensation                |
| $F_{Z2}$          | Second Pole Frequency in Error Amplifier Compensation               |
| $Q_{G1}$          | Total Gate Charge of Main MOSFET                                    |
| $Q_{G2}$          | Total Gate Charge of SR MOSFET                                      |
| $R_{DS(on)Q1}$    | "ON" Drain to Source Resistance of Main MOSFET                      |
| $R_{DS(on)Q2}$    | "ON" Drain to Source Resistance of SR MOSEFT                        |
| $P_{Q1C(on)}$     | Conduction Losses in Main Switching MOSFET                          |
| $P_{Q1SW}$        | Switching Losses in Main Switching MOSFET                           |
| $P_{Q2C(on)}$     | Conduction Losses in Synchronous Rectifier MOSFET                   |
| $Q_{GD}$          | Gate to Drain Charge of Synchronous Rectifier MOSFET                |
| $Q_{GS}$          | Gate to Source Charge of Synchronous Rectifier MOSFET               |

## ADDITIONAL REFERENCES

### Related Parts

The following parts have characteristics similar to the TPS40192/3 and may be of interest.

#### Related Parts

| DEVICE   | DESCRIPTION   |
|----------|---|
| TPS40100 | Midrange Input Synchronous Controller with Advanced Sequencing and Output Margining |
| TPS40075 | Wide Input Synchronous Controller with Voltage Feed Forward                         |
| TPS40190 | Low Pin Count Synchronous Buck Controller   |

### References

These references may be found on the web at [www.power.ti.com](http://www.power.ti.com) under Technical Documents. Many design tools and links to additional references, including design software, may also be found at [www.power.ti.com](http://www.power.ti.com)

1. *Under The Hood Of Low Voltage DC/DC Converters*, SEM1500 Topdevice 5, 2002 Seminar Series
2. *Understanding Buck Power Stages in Switchmode Power Supplies*, SLVA057, March 1999
3. *Design and Application Guide for High Speed MOSFET Gate Drive Circuits*, SEM 1400, 2001 Seminar Series
4. *Designing Stable Control Loops*, SEM 1400, 2001 Seminar Series
5. Additional PowerPAD™ information may be found in Applications Briefs SLMA002 and SLMA004
6. QFN/SON PCB Attachment, Texas Instruments Literature Number SLUA271, June 2002

**PACKAGING INFORMATION**

| Orderable Device | Status <sup>(1)</sup> | Package Type | Package Drawing | Pins | Package Qty | Eco Plan <sup>(2)</sup> | Lead/Ball Finish | MSL Peak Temp <sup>(3)</sup> |
|------------------|-----------------------|--------------|-----------------|------|-------------|-------------------------|------------------|------------------------------|
| TPS40192DRCR     | ACTIVE                | SON          | DRC             | 10   | 3000        | Green (RoHS & no Sb/Br) | CU NIPDAU        | Level-2-260C-1 YEAR          |
| TPS40192DRCRG4   | ACTIVE                | SON          | DRC             | 10   | 3000        | Green (RoHS & no Sb/Br) | CU NIPDAU        | Level-2-260C-1 YEAR          |
| TPS40192DRCT     | ACTIVE                | SON          | DRC             | 10   | 250         | Green (RoHS & no Sb/Br) | CU NIPDAU        | Level-2-260C-1 YEAR          |
| TPS40192DRCTG4   | ACTIVE                | SON          | DRC             | 10   | 250         | Green (RoHS & no Sb/Br) | CU NIPDAU        | Level-2-260C-1 YEAR          |
| TPS40193DRCR     | ACTIVE                | SON          | DRC             | 10   | 3000        | Green (RoHS & no Sb/Br) | CU NIPDAU        | Level-2-260C-1 YEAR          |
| TPS40193DRCRG4   | ACTIVE                | SON          | DRC             | 10   | 3000        | Green (RoHS & no Sb/Br) | CU NIPDAU        | Level-2-260C-1 YEAR          |
| TPS40193DRCT     | ACTIVE                | SON          | DRC             | 10   | 250         | Green (RoHS & no Sb/Br) | CU NIPDAU        | Level-2-260C-1 YEAR          |
| TPS40193DRCTG4   | ACTIVE                | SON          | DRC             | 10   | 250         | Green (RoHS & no Sb/Br) | CU NIPDAU        | Level-2-260C-1 YEAR          |

<sup>(1)</sup> The marketing status values are defined as follows:

**ACTIVE:** Product device recommended for new designs.

**LIFEBUY:** TI has announced that the device will be discontinued, and a lifetime-buy period is in effect.

**NRND:** Not recommended for new designs. Device is in production to support existing customers, but TI does not recommend using this part in a new design.

**PREVIEW:** Device has been announced but is not in production. Samples may or may not be available.

**OBSOLETE:** TI has discontinued the production of the device.

<sup>(2)</sup> Eco Plan - The planned eco-friendly classification: Pb-Free (RoHS), Pb-Free (RoHS Exempt), or Green (RoHS & no Sb/Br) - please check <http://www.ti.com/productcontent> for the latest availability information and additional product content details.

**TBD:** The Pb-Free/Green conversion plan has not been defined.

**Pb-Free (RoHS):** TI's terms "Lead-Free" or "Pb-Free" mean semiconductor products that are compatible with the current RoHS requirements for all 6 substances, including the requirement that lead not exceed 0.1% by weight in homogeneous materials. Where designed to be soldered at high temperatures, TI Pb-Free products are suitable for use in specified lead-free processes.

**Pb-Free (RoHS Exempt):** This component has a RoHS exemption for either 1) lead-based flip-chip solder bumps used between the die and package, or 2) lead-based die adhesive used between the die and leadframe. The component is otherwise considered Pb-Free (RoHS compatible) as defined above.

**Green (RoHS & no Sb/Br):** TI defines "Green" to mean Pb-Free (RoHS compatible), and free of Bromine (Br) and Antimony (Sb) based flame retardants (Br or Sb do not exceed 0.1% by weight in homogeneous material)

<sup>(3)</sup> MSL, Peak Temp. -- The Moisture Sensitivity Level rating according to the JEDEC industry standard classifications, and peak solder temperature.

**Important Information and Disclaimer:**The information provided on this page represents TI's knowledge and belief as of the date that it is provided. TI bases its knowledge and belief on information provided by third parties, and makes no representation or warranty as to the accuracy of such information. Efforts are underway to better integrate information from third parties. TI has taken and continues to take reasonable steps to provide representative and accurate information but may not have conducted destructive testing or chemical analysis on incoming materials and chemicals. TI and TI suppliers consider certain information to be proprietary, and thus CAS numbers and other limited information may not be available for release.

In no event shall TI's liability arising out of such information exceed the total purchase price of the TI part(s) at issue in this document sold by TI to Customer on an annual basis.



**TAPE AND REEL INFORMATION**

**QUADRANT ASSIGNMENTS FOR PIN 1 ORIENTATION IN TAPE**


\*All dimensions are nominal

| Device       | Package Type | Package Drawing | Pins | SPQ  | Reel Diameter (mm) | Reel Width W1 (mm) | A0 (mm) | B0 (mm) | K0 (mm) | P1 (mm) | W (mm) | Pin1 Quadrant |
|--------------|--------------|-----------------|------|------|--------------------|--------------------|---------|---------|---------|---------|--------|---------------|
| TPS40192DRCR | SON          | DRC             | 10   | 3000 | 330.0              | 12.4               | 3.3     | 3.3     | 1.1     | 8.0     | 12.0   | Q2            |
| TPS40192DRCR | SON          | DRC             | 10   | 3000 | 330.0              | 12.4               | 3.3     | 3.3     | 1.1     | 8.0     | 12.0   | Q2            |
| TPS40192DRCT | SON          | DRC             | 10   | 250  | 180.0              | 12.4               | 3.3     | 3.3     | 1.1     | 8.0     | 12.0   | Q2            |
| TPS40192DRCT | SON          | DRC             | 10   | 250  | 180.0              | 12.4               | 3.3     | 3.3     | 1.1     | 8.0     | 12.0   | Q2            |
| TPS40193DRCR | SON          | DRC             | 10   | 3000 | 330.0              | 12.4               | 3.3     | 3.3     | 1.1     | 8.0     | 12.0   | Q2            |
| TPS40193DRCT | SON          | DRC             | 10   | 250  | 180.0              | 12.4               | 3.3     | 3.3     | 1.1     | 8.0     | 12.0   | Q2            |
| TPS40193DRCT | SON          | DRC             | 10   | 250  | 180.0              | 12.4               | 3.3     | 3.3     | 1.1     | 8.0     | 12.0   | Q2            |

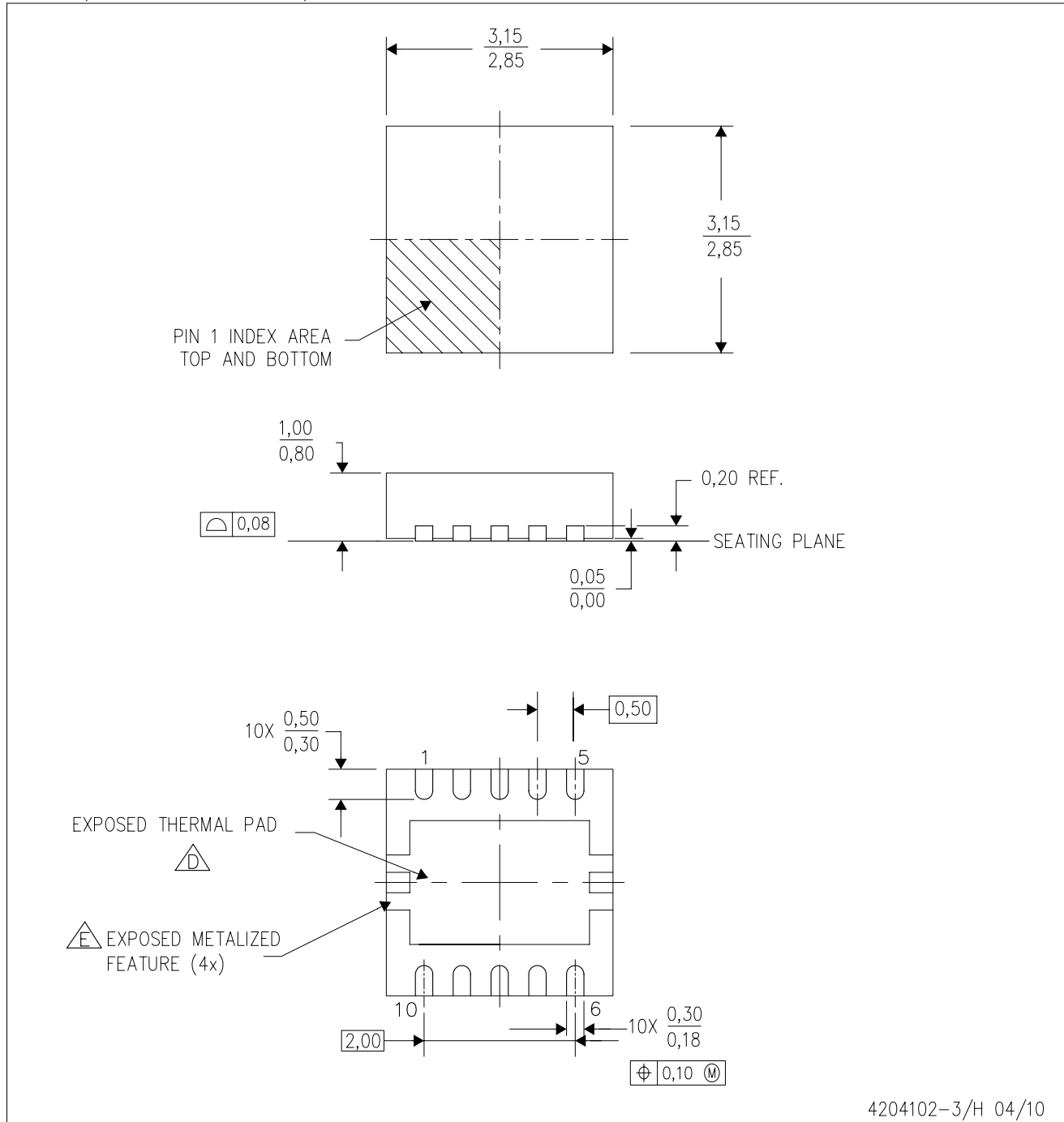
**TAPE AND REEL BOX DIMENSIONS**


\*All dimensions are nominal

| Device       | Package Type | Package Drawing | Pins | SPQ  | Length (mm) | Width (mm) | Height (mm) |
|--------------|--------------|-----------------|------|------|-------------|------------|-------------|
| TPS40192DRCR | SON          | DRC             | 10   | 3000 | 346.0       | 346.0      | 29.0        |
| TPS40192DRCR | SON          | DRC             | 10   | 3000 | 346.0       | 346.0      | 29.0        |
| TPS40192DRCT | SON          | DRC             | 10   | 250  | 190.5       | 212.7      | 31.8        |
| TPS40192DRCT | SON          | DRC             | 10   | 250  | 190.5       | 212.7      | 31.8        |
| TPS40193DRCR | SON          | DRC             | 10   | 3000 | 346.0       | 346.0      | 29.0        |
| TPS40193DRCT | SON          | DRC             | 10   | 250  | 190.5       | 212.7      | 31.8        |
| TPS40193DRCT | SON          | DRC             | 10   | 250  | 190.5       | 212.7      | 31.8        |

DRC (S-PVSON-N10)

PLASTIC SMALL OUTLINE NO-LEAD



- NOTES: A. All linear dimensions are in millimeters. Dimensioning and tolerancing per ASME Y14.5M-1994.  
 B. This drawing is subject to change without notice.  
 C. Small Outline No-Lead (SON) package configuration.  
 D. The package thermal pad must be soldered to the board for thermal and mechanical performance. See the Product Data Sheet for details regarding the exposed thermal pad dimensions.  
 E. Metalized features are supplier options and may not be on the package.

## THERMAL PAD MECHANICAL DATA

DRC (S-PVSON-N10)

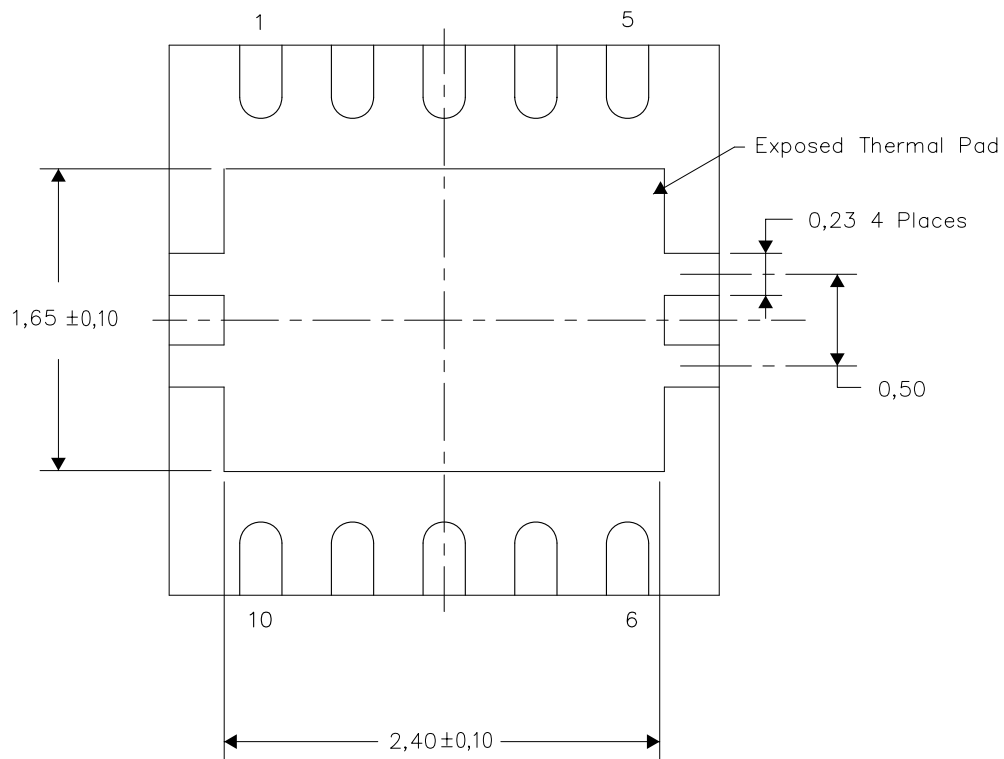
PLASTIC SMALL OUTLINE NO-LEAD

### THERMAL INFORMATION

This package incorporates an exposed thermal pad that is designed to be attached directly to an external heatsink. The thermal pad must be soldered directly to the printed circuit board (PCB). After soldering, the PCB can be used as a heatsink. In addition, through the use of thermal vias, the thermal pad can be attached directly to the appropriate copper plane shown in the electrical schematic for the device, or alternatively, can be attached to a special heatsink structure designed into the PCB. This design optimizes the heat transfer from the integrated circuit (IC).

For information on the Quad Flatpack No-Lead (QFN) package and its advantages, refer to Application Report, QFN/SON PCB Attachment, Texas Instruments Literature No. SLUA271. This document is available at [www.ti.com](http://www.ti.com).

The exposed thermal pad dimensions for this package are shown in the following illustration.



Bottom View

NOTE: All linear dimensions are in millimeters

Exposed Thermal Pad Dimensions

4206565-3/K 06/10



## IMPORTANT NOTICE

Texas Instruments Incorporated and its subsidiaries (TI) reserve the right to make corrections, modifications, enhancements, improvements, and other changes to its products and services at any time and to discontinue any product or service without notice. Customers should obtain the latest relevant information before placing orders and should verify that such information is current and complete. All products are sold subject to TI's terms and conditions of sale supplied at the time of order acknowledgment.

TI warrants performance of its hardware products to the specifications applicable at the time of sale in accordance with TI's standard warranty. Testing and other quality control techniques are used to the extent TI deems necessary to support this warranty. Except where mandated by government requirements, testing of all parameters of each product is not necessarily performed.

TI assumes no liability for applications assistance or customer product design. Customers are responsible for their products and applications using TI components. To minimize the risks associated with customer products and applications, customers should provide adequate design and operating safeguards.

TI does not warrant or represent that any license, either express or implied, is granted under any TI patent right, copyright, mask work right, or other TI intellectual property right relating to any combination, machine, or process in which TI products or services are used. Information published by TI regarding third-party products or services does not constitute a license from TI to use such products or services or a warranty or endorsement thereof. Use of such information may require a license from a third party under the patents or other intellectual property of the third party, or a license from TI under the patents or other intellectual property of TI.

Reproduction of TI information in TI data books or data sheets is permissible only if reproduction is without alteration and is accompanied by all associated warranties, conditions, limitations, and notices. Reproduction of this information with alteration is an unfair and deceptive business practice. TI is not responsible or liable for such altered documentation. Information of third parties may be subject to additional restrictions.

Resale of TI products or services with statements different from or beyond the parameters stated by TI for that product or service voids all express and any implied warranties for the associated TI product or service and is an unfair and deceptive business practice. TI is not responsible or liable for any such statements.

TI products are not authorized for use in safety-critical applications (such as life support) where a failure of the TI product would reasonably be expected to cause severe personal injury or death, unless officers of the parties have executed an agreement specifically governing such use. Buyers represent that they have all necessary expertise in the safety and regulatory ramifications of their applications, and acknowledge and agree that they are solely responsible for all legal, regulatory and safety-related requirements concerning their products and any use of TI products in such safety-critical applications, notwithstanding any applications-related information or support that may be provided by TI. Further, Buyers must fully indemnify TI and its representatives against any damages arising out of the use of TI products in such safety-critical applications.

TI products are neither designed nor intended for use in military/aerospace applications or environments unless the TI products are specifically designated by TI as military-grade or "enhanced plastic." Only products designated by TI as military-grade meet military specifications. Buyers acknowledge and agree that any such use of TI products which TI has not designated as military-grade is solely at the Buyer's risk, and that they are solely responsible for compliance with all legal and regulatory requirements in connection with such use.

TI products are neither designed nor intended for use in automotive applications or environments unless the specific TI products are designated by TI as compliant with ISO/TS 16949 requirements. Buyers acknowledge and agree that, if they use any non-designated products in automotive applications, TI will not be responsible for any failure to meet such requirements.

Following are URLs where you can obtain information on other Texas Instruments products and application solutions:

| <b>Products</b>             |  | <b>Applications</b>        |  |
|-----------------------------|--|----------------------------|--|
| Amplifiers                  | <a href="http://amplifier.ti.com">amplifier.ti.com</a>             | Audio                      | <a href="http://www.ti.com/audio">www.ti.com/audio</a>                                   |
| Data Converters             | <a href="http://dataconverter.ti.com">dataconverter.ti.com</a>     | Automotive                 | <a href="http://www.ti.com/automotive">www.ti.com/automotive</a>                         |
| DLP® Products               | <a href="http://www.dlp.com">www.dlp.com</a>                       | Communications and Telecom | <a href="http://www.ti.com/communications">www.ti.com/communications</a>                 |
| DSP                         | <a href="http://dsp.ti.com">dsp.ti.com</a>                         | Computers and Peripherals  | <a href="http://www.ti.com/computers">www.ti.com/computers</a>                           |
| Clocks and Timers           | <a href="http://www.ti.com/clocks">www.ti.com/clocks</a>           | Consumer Electronics       | <a href="http://www.ti.com/consumer-apps">www.ti.com/consumer-apps</a>                   |
| Interface                   | <a href="http://interface.ti.com">interface.ti.com</a>             | Energy                     | <a href="http://www.ti.com/energy">www.ti.com/energy</a>                                 |
| Logic                       | <a href="http://logic.ti.com">logic.ti.com</a>                     | Industrial                 | <a href="http://www.ti.com/industrial">www.ti.com/industrial</a>                         |
| Power Mgmt                  | <a href="http://power.ti.com">power.ti.com</a>                     | Medical                    | <a href="http://www.ti.com/medical">www.ti.com/medical</a>                               |
| Microcontrollers            | <a href="http://microcontroller.ti.com">microcontroller.ti.com</a> | Security                   | <a href="http://www.ti.com/security">www.ti.com/security</a>                             |
| RFID                        | <a href="http://www.ti-rfid.com">www.ti-rfid.com</a>               | Space, Avionics & Defense  | <a href="http://www.ti.com/space-avionics-defense">www.ti.com/space-avionics-defense</a> |
| RF/IF and ZigBee® Solutions | <a href="http://www.ti.com/lprf">www.ti.com/lprf</a>               | Video and Imaging          | <a href="http://www.ti.com/video">www.ti.com/video</a>                                   |
|                             |  | Wireless                   | <a href="http://www.ti.com/wireless-apps">www.ti.com/wireless-apps</a>                   |