

Data sheet: Short Circuit Proof Safety Isolating Transformers Type VB

Description : Safety isolating transformer constructed and tested according to
VDE 0570/EN 61 558, UL 506, CSA 22.2

Approvals : According to table

Test voltage PRI - SEC 5000 V, 50 Hz
SEC - SEC 250 V, 50 Hz

Short-circuit protection : Inherently short-circuit proof

Construction : Open design, potted in insulation housing

Safety class : Prepared for class II equipment

Protection index : Connections IP 00
Housing IP 65

Max ambient temperature : According to table

Insulation class of the
insulation system : VDE (B= 130°C) ; UL+CSA Class 105 (A=105°C)

Input voltage : 230 V

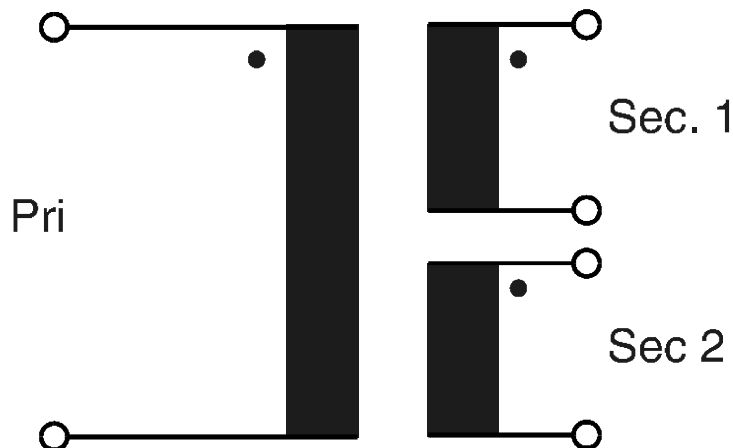
Frequency : 50 - 60 Hz

Output voltage : According to table

Connections : Soldering pins for printed circuit board mounting

Packing : Separately packed in cartons

Schematic plan :



Description :

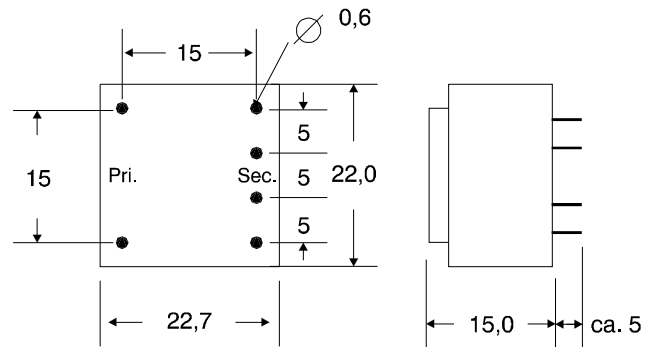
These VB type resin moulded safety isolating transformers, are inherently short-circuit proof so do not require external protection. The dual output can be connected in series or parallel.

Note :

- * vacuum epoxy resin moulded (selfextinguishing to UL 94 V0)
- * 100% tested
- * Two chamber bobbin construction

Output power 0,35 VA Core-type EI 20/6,1
 Height 15,0 mm Weight 24g
 Ground area 22 mm x 22,7 mm

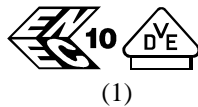
Type	SEC rated output-voltage V	current A	Approvals
VB 0,35/2/6	2x6	2x0,029	1,2
VB 0,35/2/8	2x8	2x0,021	1,2
VB 0,35/2/9	2x9	2x0,019	1,2
VB 0,35/2/12	2x12	2x0,014	1,2
VB 0,35/2/15*	2x15	2x0,011	2
VB 0,35/2/18*	2x18	2x0,009	2
VB 0,35/2/24*	2x24	2x0,007	2



According to VDE 0570/EN 61558-1 with EN 61558-2-6
 * = according to VDE 0570/EN 61558-2-1

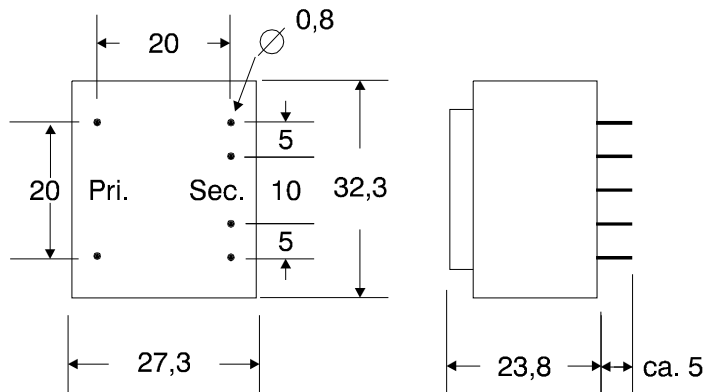
No load output voltage x Faktor = typ. 1,8
 Core Losses typ. 1,8 W
 Efficiency typ. 30 %
 Ambient Temperature (ta) +70°C

Approvals



Height 23,8 mm Weight 84g
 Ground area 32,3 mm x 27,3 mm

Type	SEC rated output-		Approvals
	voltage V	current A	
VB 1,5/2/6	2x6	2x0,125	1,2
VB 1,5/2/8	2x8	2x0,093	1,2
VB 1,5/2/9	2x9	2x0,083	1,2
VB 1,5/2/12	2x12	2x0,062	1,2
VB 1,5/2/15	2x15	2x0,050	1,2
VB 1,5/2/18*	2x18	2x0,041	2
VB 1,5/2/24*	2x24	2x0,031	2



According to VDE 0570/EN 61558-1 with EN 61558-2-6

* = according to VDE 0570/EN 61558-2-1

No load output voltage x Faktor = typ. 1,39
 Core Losses typ. 1,0 W
 Efficiency typ. 57 %
 Ambient Temperature (ta) +70°C

Approvals

