

4

3

2

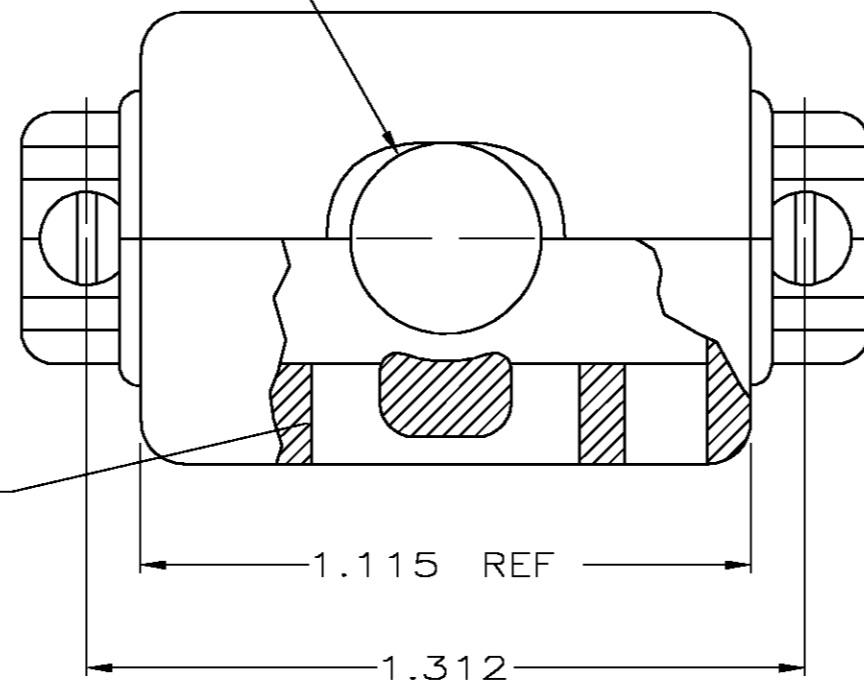
1

THIS DRAWING IS UNPUBLISHED. RELEASED FOR PUBLICATION
 © COPYRIGHT BY TYCO ELECTRONICS CORPORATION. ALL RIGHTS RESERVED.

LOC	DIST	REVISIONS			
P	LTR	DESCRIPTION	DATE	DWN	APVD
GP	00	F	REVISED PER EC OS13-0512-03	05MAR04	BM JG

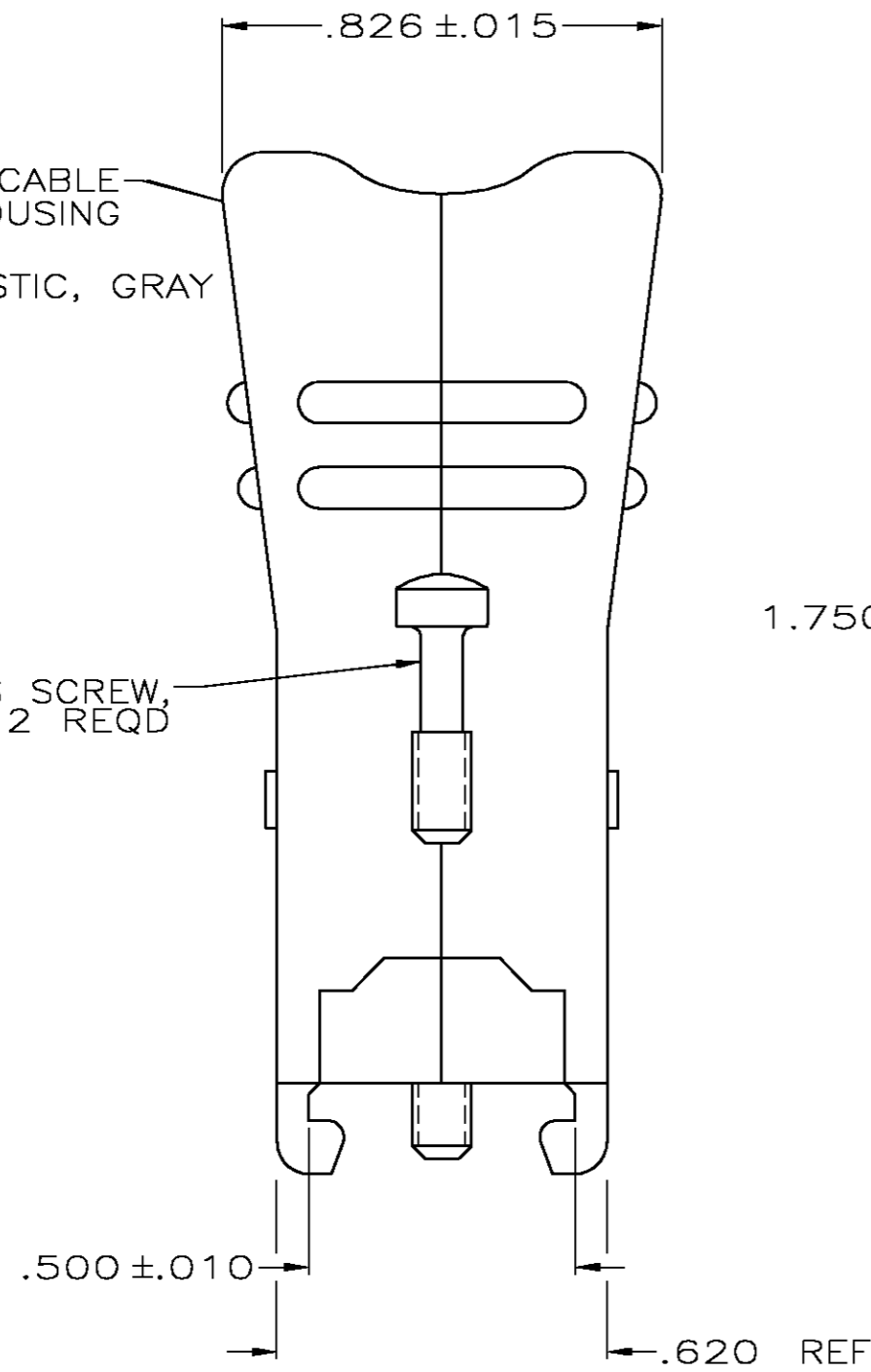
.350 DIA MAX
CABLE OPENING

INTERNAL CABLE
TIE OPENINGS.



TWO PIECE CABLE
SUPPORT HOUSING
MATERIAL:
THERMOPLASTIC, GRAY

#4-40 CRS SCREW,
ZINC PLATED, 2 REQD



1.750 REF

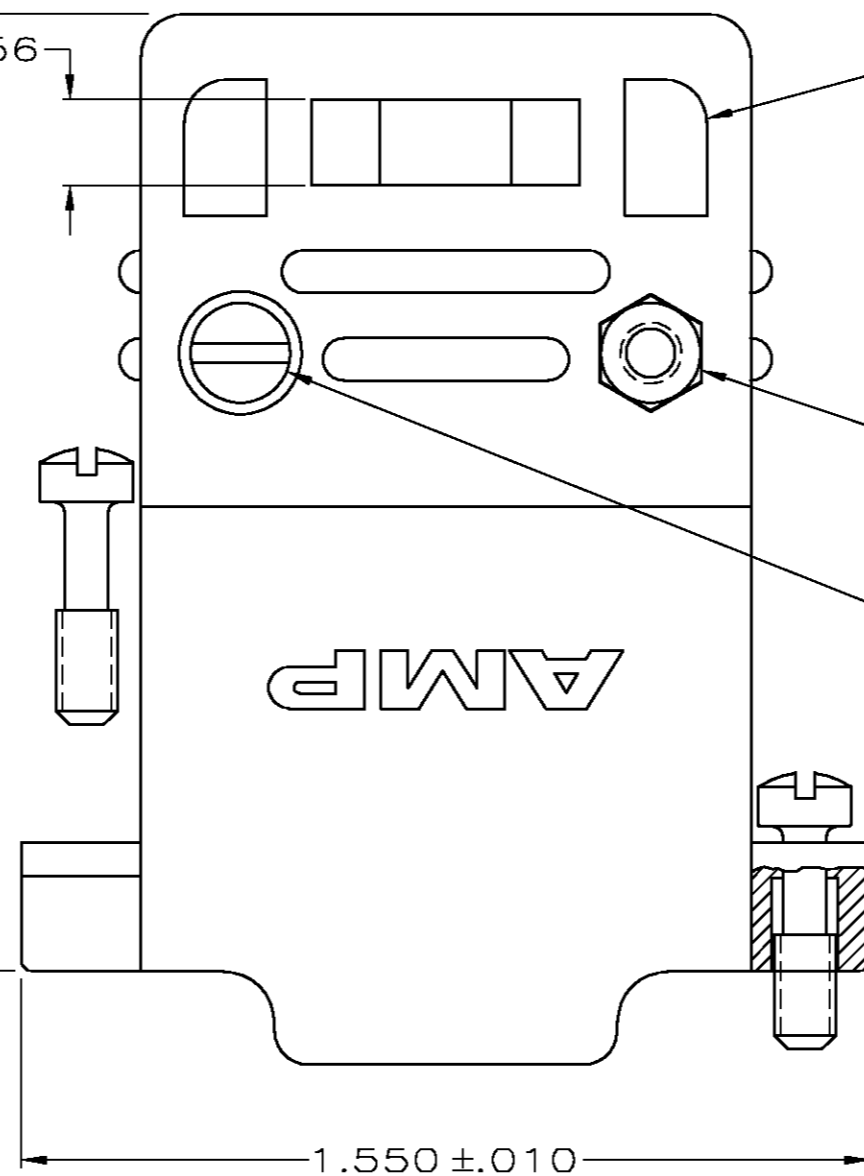
.156

EXTERNAL CABLE
TIE OPENINGS.

#4-40 HEX NUT STEEL
ZINC PLATED, 2 REQD

#4-40 CRS SCREW,
ZINC PLATED, 2 REQD

AMP



1. THIS PART WILL FIT ANY STANDARD SIZE 2 PLUG OR RECEPTACLE IN THE AMPLIMITE SERIES.

2. ALL PARTS ARE PACKAGED UNASSEMBLED.

3 SAME AS -1 EXCEPT EACH PART BULK PACKED, MINIMUM ORDER 10,000 KITS.

OBSOLETE	3	206471-2
	AS SHOWN	206471-1
	PACKAGING	PART NUMBER

THIS DRAWING IS A CONTROLLED DOCUMENT.		DWN B. MCMASTER 05MAR04	Tyco Electronics Corporation Harrisburg, Pa 17105-3608	
DIMENSIONS: INCHES		CHK C. ROHDE 05MAR04	NAME M. WALMSLEY 05MAR04	
TOLERANCES UNLESS OTHERWISE SPECIFIED:		PRODUCT SPEC		
0 PLC ± -		APPLICATION SPEC		
1 PLC ± -		WEIGHT		
2 PLC ± -		SIZE A2		
3 PLC ± .005		CAGE CODE 00779		
4 PLC ± -		DRAWING NO C=206471		
ANGLES ± -		RESTRICTED TO		
FINISH		SCALE 4:1		
MATERIAL SEE CALLOUT		SHEET 1 OF 1		
SEE CALLOUT		REV F		