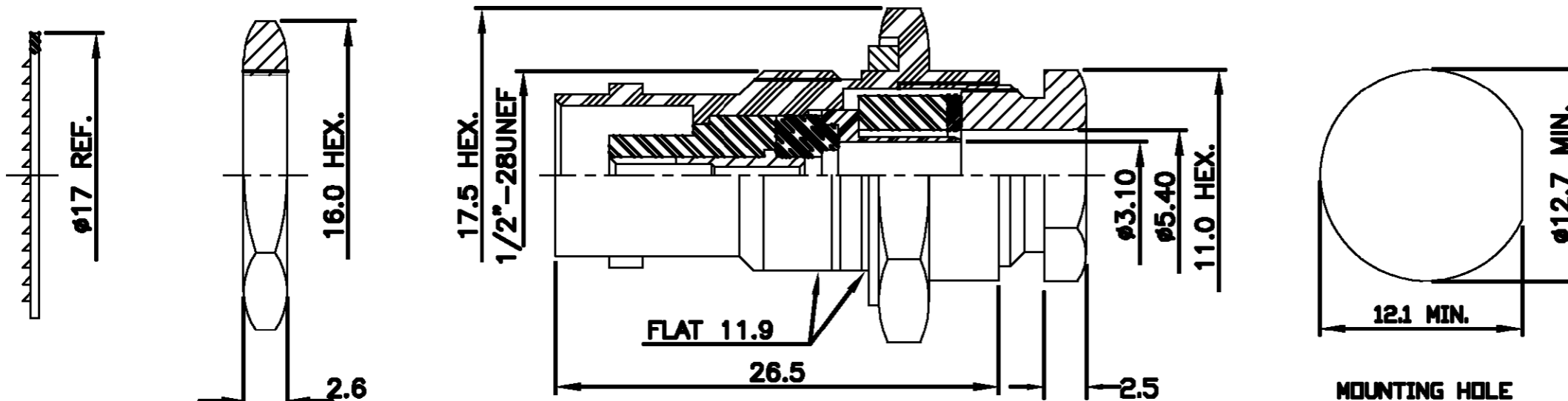


THIS DRAWING IS UNPUBLISHED. RELEASED FOR PUBLICATION 21-11-01.

© COPYRIGHT 2001 BY TYCO ELECTRONICS CORPORATION. ALL RIGHTS RESERVED.

LOC	DIST	REVISIONS					
		P	LTR	DESCRIPTION	DATE	DWN	APVD
E	B		B	EB00-0091-02	18-03-02	AJB	R.G
			A	RELEASE FOR PRODUCTION	21-11-01	AJB	FKV

△ SUPPLIED SEMI-ASSEMBLED (PACK CONTAINS LOOSE PIECES)
 VIEW SHOWS ASSEMBLED CONNECTOR (CABLE OMITTED)
 FOR CABLE TO CONNECTOR ASSEMBLY GUIDANCE
 REFER TO TYCO INSTRUCTION SHEET I.S 411 - 3274



ALL DIMENSIONS ARE NOMINAL. FOR REFERENCE ONLY.

DIE SET PART NUMBER	N/A
HANDTOOL PART NUMBER	N/A
FOR USE ON CABLES	RG58C/U, 141A/U, URM43, 76, BELDEN 9907
CONNECTOR PLATING DETAIL	SILVER
CONTACT PLATING DETAIL	SILVER
DIELECTRIC MATERIAL	TEFLON
GASKET MATERIAL	WHITE SILICONE RUBBER

THIS DRAWING IS A CONTROLLED DOCUMENT.		DWN	A.BEKEN	21-11-01	 Tyco Electronics Corporation Stanmore, Middlesex, HA7 4RS
DIMENSIONS: MM		CHK	R.G	21-11-01	
		APVD	F.W-KING	21-11-01	
TOLERANCES UNLESS OTHERWISE SPECIFIED:		PRODUCT SPEC		NAME	
0 PLC	± -	108-3435		BNC STRAIGHT BULKHEAD JACK	
1 PLC	± -	APPLICATION SPEC		SOLDER (PS) RG58 50 ohm	
2 PLC	± -	-		SIZE	A3
3 PLC	± -	MATERIAL		CAGE CODE	00779
4 PLC	± -	FINISH		DRAWING NO	C-1478413
ANGLES	± -	-		RESTRICTED TO	-
-		-		CUSTOMER DRAWING	
-		-		SCALE	NTS
-		-		SHEET	1 OF 1
-		-		REV	B