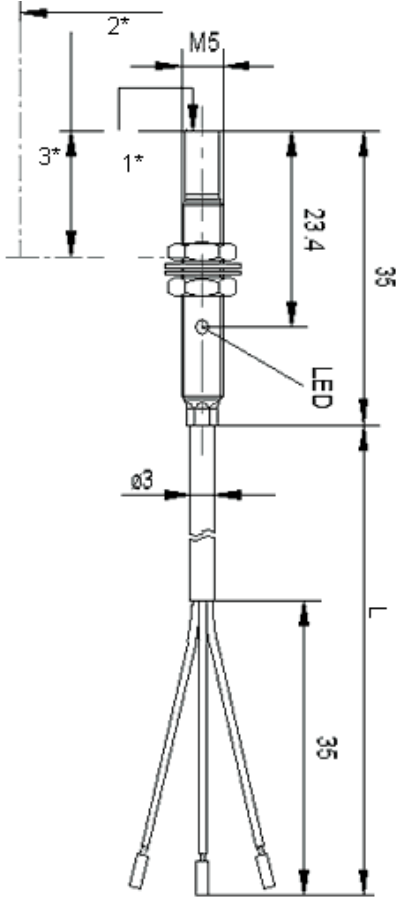
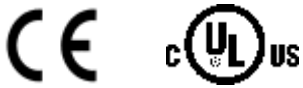
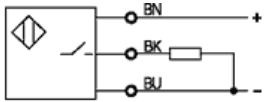


cyl. M 5
 Sn = 5 mm
 DC 3-Wire
 unshielded



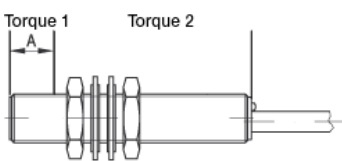
1* Aktive Fläche / active surface
 2* Freizone >Ø20 / free zone >Ø20
 3* Freizone >15 / free zone >15



Utilization categories DC 13

Further information:
 ■ Hinweis EMV Schutzbeschaltung

■ Tightening torque:



Torque 1 Nm 1

If only torque1 is indicated,
 this applies to entire thread

If not differently indicated,
 all values by IEC 60947-5-2 (DIN EN60947-5-2)
 Specifications subject to change
 Balluff GmbH

Common Data

Mounting		unshielded
Rated operating distance Sn	mm	5,0
Assured operating distance Sa	mm	0...4,05
Repeatability	%	≤ 10
Hysteresis	%	≤ 20
Ambient temperature range	°C	-25...+70
Polution Degree		3
IEC-Code		2A05AP1
Time delay before availability	ms	<20

Mechanical Data

Housing size	mm	cyl. M 5
Measurements BxHxT or DxT	mm	M5 x 35
Housing material		stainless steel
Material of sensing face		POM
Degree of protection		IP67
Connection		Cable
Cable type		LIFY-11Y-0, 3x0,14mm ²

Electrical Data

Current type		DC
Wiring		3-Wire
switching function		normally-open
Output signal		PNP
Rated operational voltage	V	24 DC
Rated operational current	mA	100
Supply voltage	V	10...30 DC
Ripple	%	≤10
Rated supply frequency	Hz	DC
Rated supply frequency	Hz	3000
Minimum operational current	mA	0
No-load supply current	mA	≤ 10 / ≤ 8
Off-state current	µA	≤ 10
Voltage drop	V	≤ 2,5 / -
Short circuit protection		yes
Protected against polarity reversal		yes