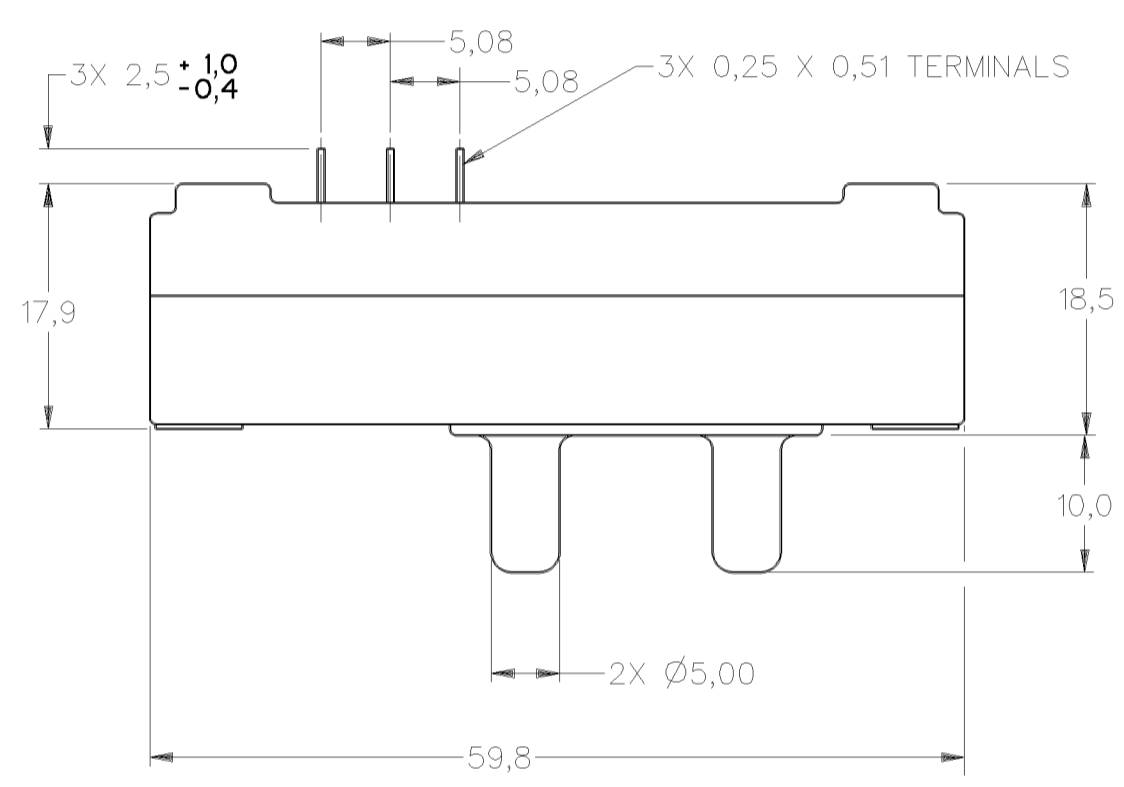
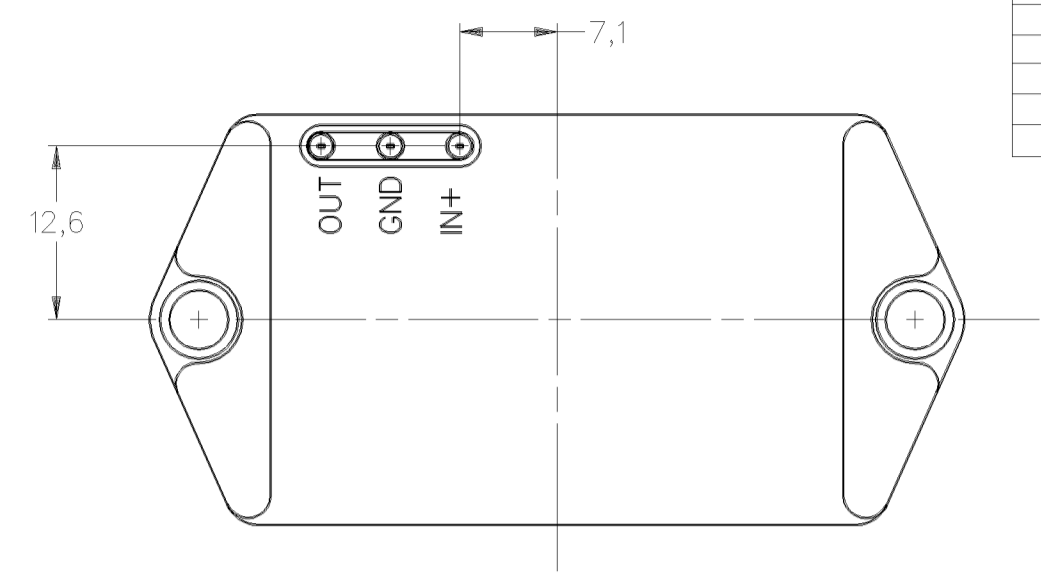


CATALOG LISTING	TYPE	OPERATING PRESSURE RANGE
141PC05G ¹	G	0 TO -5 PSIG
④ 142PC05D ¹	A	0 TO 5 PSIA
142PC05D ¹	D	0 TO 5 PSID
142PC05G ¹	G	0 TO 5 PSIG
142PC05D22 ⁵	D	0 TO 5 PSID
142PC05D73 ⁶	D	0 TO 5 PSID

GENERAL OPERATING CHARACTERISTICS	
PRESSURE RANGE	0 TO 259 mmHg (0 TO 5 PSI)
OVERPRESSURE	1035 mmHg (20 PSI)
TEMPERATURE RANGES	
STORAGE	-55°C TO +125°C
OPERATING	-40°C TO +85°C
COMPENSATED	-18°C TO +63°C
SUPPLY VOLTAGE	7 TO 16 VDC
SUPPLY CURRENT	20mA MAX WITH 10K LOAD
OUTPUT VOLTAGE	PROPORTIONAL TO SUPPLY VOLTAGE OVER ABOVE RECOMMENDED RANGE
SHORT CIRCUIT LIMIT	MAY BE SHORTED INDEFINITELY
OUTPUT RIPPLE	NONE
GROUND REFERENCE	SUPPLY AND OUTPUT ARE COMMON

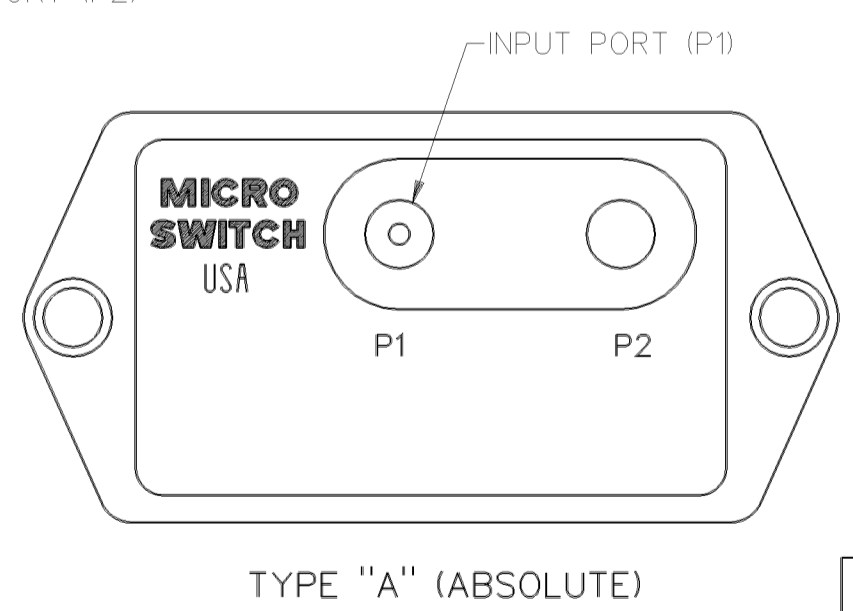
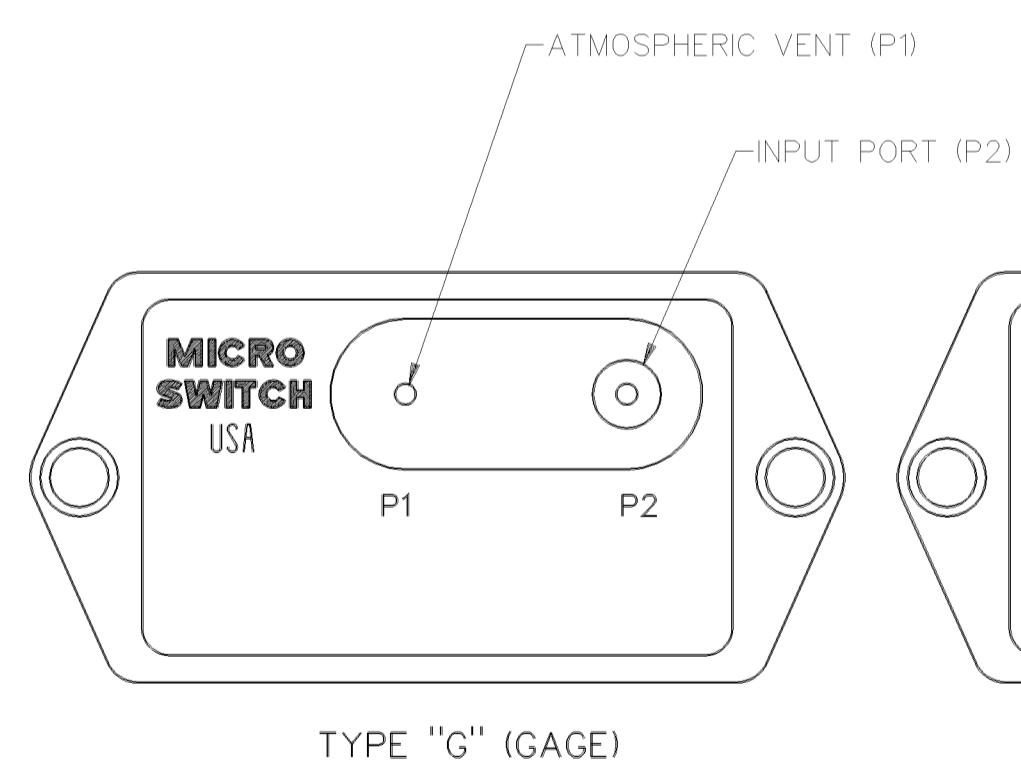
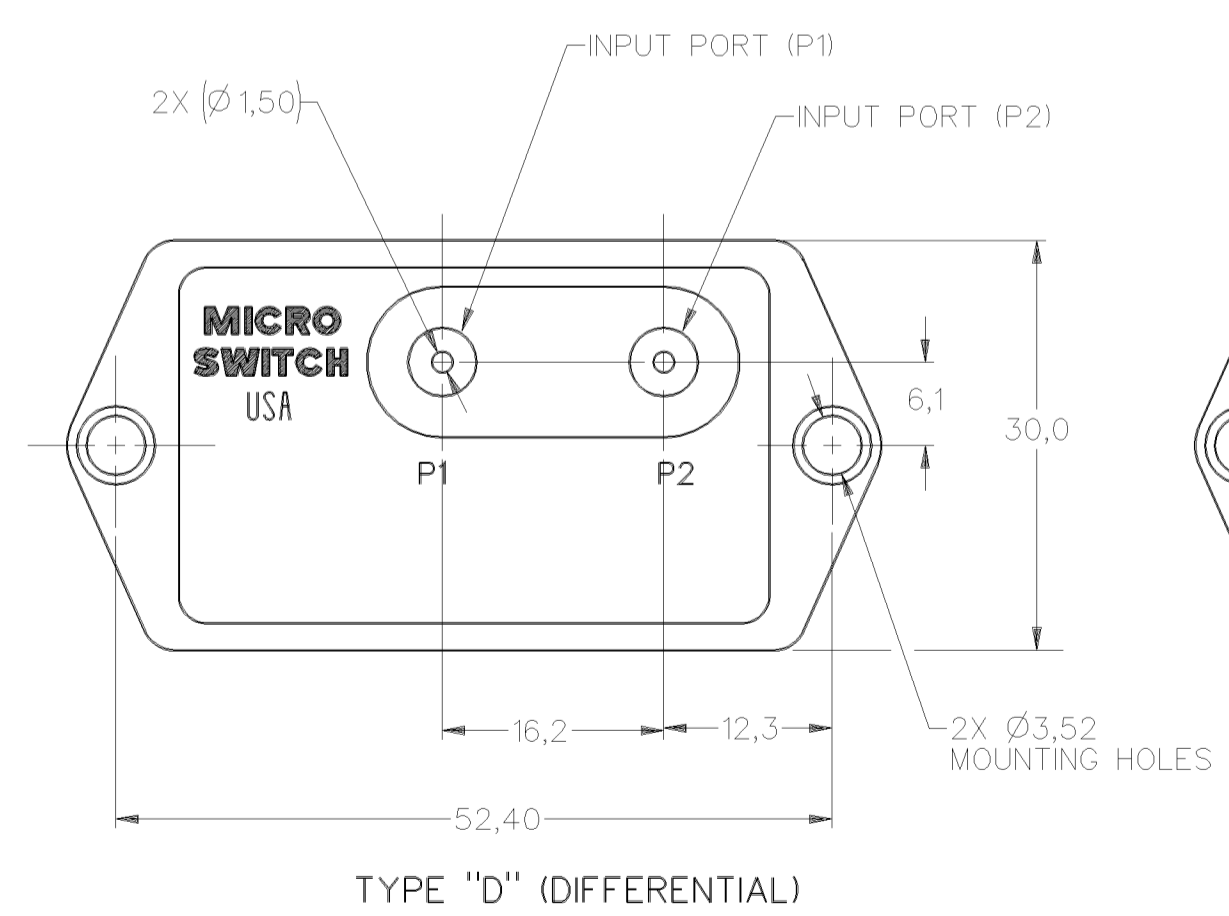


NOTES
 1 - INPUT MEDIA:
 P1 - DRY GASES ONLY: CONNECTION SIDE OF SENSOR
 P2 - LIMITED ONLY TO THOSE MEDIA THAT WILL NOT ATTACK POLYESTER, SILICON OR SILICONE BASED ADHESIVE
 2 - TERMINALS ARE PLATED FOR SOLDERING
 3 - LIMIT SOLDERING TO 315°C MAX FOR 10 SECONDS MAX
 4 - UNITS ARE OF PLASTIC CONSTRUCTION
 ⑤ P2 - MATERIAL SELECTED FOR RESISTANCE TO GASOLINE AND GASOLINE VAPOR
 ⑥ ALLOW ±13mV NULL

ELECTRICAL PERFORMANCE AT 25°C AND 8.00±.01 VDC SUPPLY

OUTPUT VOLTAGE	
141PC05G	
NULL (0 PSIG)	1.000±.050 VDC
FULL SCALE (5 PSIG)	6.000VDC TYP P1 > P2
SPAN	5.000±.050 VDC
142PC05D OR G	
NULL (0 PSIG)	1.000±.050 VDC
FULL SCALE (5 PSIG)	6.000 VDC TYP P2 > P1
SPAN	5.000±.050 VDC
SENSITIVITY	1000 mV/PSI TYP
LINEARITY (B.F.S.L.)	.75% SPAN MAX P1 > P2 1.50% SPAN MAX P2 > P1
HYSTERESIS & REPEATABILITY	.25% SPAN TYP
TEMPERATURE ERROR	
+5°C TO +45°C	.50% SPAN TYP
-18°C TO +63°C	1.00% SPAN MAX
-40°C TO +85°C	2.00% SPAN TYP
142PC05A	
NULL (0 PSIA)	1.000 VDC TYP
REFERENCE (2 PSIA)	3.000±.050 VDC
FULL SCALE (5 PSIA)	6.000 VDC TYP P1 > P2
SPAN (2 TO 5 PSIA)	3.000±.050 VDC
SENSITIVITY	1000 mV/PSI TYP
LINEARITY (B.F.S.L.)	1.25% SPAN MAX
HYSTERESIS & REPEATABILITY	.25% SPAN TYP
TEMPERATURE ERROR	
+5°C TO +45°C	.83% SPAN TYP
-18°C TO +63°C	1.67% SPAN MAX
-40°C TO +85°C	3.33% SPAN TYP

DRAWING NUMBER 140PC05 SERIES CHART 1
 ISSUE 16
 PAGES 1 OF 1
 RELEASE NO. DR-2103-3
 REPLACES
 REVISIONS
 A CO77436
 17 MAY 94
 B CO78224
 8 JUL 94
 C CO-172837
 LUP
 20 APR 95
 D CO-95394
 3 FEB 00
 E 201727
 CSL
 1 MAR 01
 DRAWN J A F
 CHECK K A G
 18 MAY 94
 RASTER
 J A F
 18 MAY 94
 CHECK K A G
 19 MAY 94



METRIC	INCH
0,4	.016
0,25	.010
0,51	.020
1,0	.039
1,5	.04
2,5	.099
3,52	.139
5,00	.197
5,08	.200
6,1	.240
7,1	.280
10,0	.39
12,3	.484
12,6	.496
16,2	.64
17,9	.70
18,5	.73
30,0	1.18
52,40	2.06
59,8	2.35

THIRD ANGLE PROJECTION

SCALE 2 : 1

DO NOT SCALE PRINT

UNLESS OTHERWISE SPECIFIED TOLERANCES ARE

NO PLACE	(0)	± 1 mm
ONE PLACE	(0.0)	± 0.4 mm
TWO PLACE	(0.00)	± 0.15 mm
ANGLES		±

WEIGHT 31 GRAMS

THIS DRAWING COVERS A PROPRIETARY ITEM AND IS THE PROPERTY OF MICRO SWITCH, A DIVISION OF HONEYWELL. THIS DRAWING IS NOT TO BE COPIED OR USED WITHOUT THE APPROVAL OF MICRO SWITCH.

MICRO SWITCH
a Honeywell Division

PRESSURE TRANSDUCER

CATALOG LISTING

140PC05 SERIES
CHART 1

FED. MFG. CODE 91929

MASTER REDUCED
ANSI Y14.5M-1982 APPLIES