

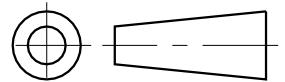
DO NOT SCALE

DIMENSIONS IN INCH

INCH

THIRD ANGLE

PROJECTION

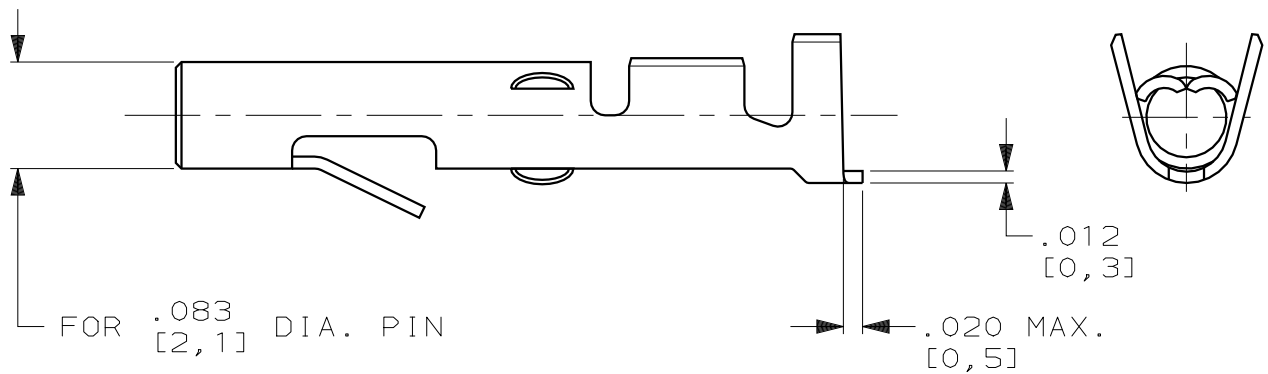
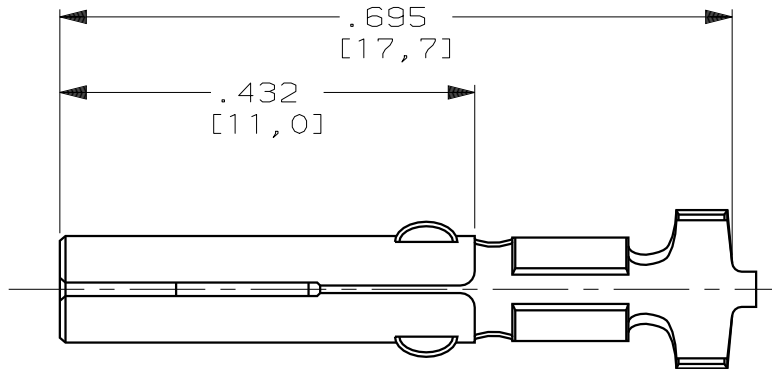


WIRE RANGE :

0,5-1,0mm² AWG

INSULATION RANGE :

.070-.130
(1,8-3,3) DIA.



FINISH	MATERIAL	PARTNUMBER
PRE TIN	Ph BRONZE	163304-4
NONE	Ph BRONZE	163304-3
PRE TIN	BRASS	163304-2
NONE	BRASS	163304-1

-	-	-	-	-
-	-	-	-	-
-	-	-	-	-
-	-	-	-	-
-	-	-	-	-
-	-	-	-	-
D	-	DK	PAUL	-
LTR.	REVISION RECORD	DR.	CHK.	DATE

CUSTOMER DRAWING FOR REFERENCE ONLY
WILL NOT BE UPDATED

© COPYRIGHT 19- BY AMP HOLLAND B.V.
ALL INTERNATIONAL RIGHTS RESERVED. AMP PRODUCTS MAY BE
COVERED BY U.S. AND FOREIGN AND/OR PATENTS PENDING.
THIS DRAWING IS UNPUBLISHED
RELEASED FOR PUBLICATION _____, 19____

AMP | AMP HOLLAND B.V.
's-Hertogenbosch,
The Netherlands.

NAME
**POCKET MATE-N-LOK
LOOSE PIECE**

DR. : D.KESSLER	CHK. : P.BEIJNON	APP. : -	DWG.No. 163304	REV.LTR. D	SHEET 1 OF 1	A4
DATE : -	DATE : -	DATE : -				