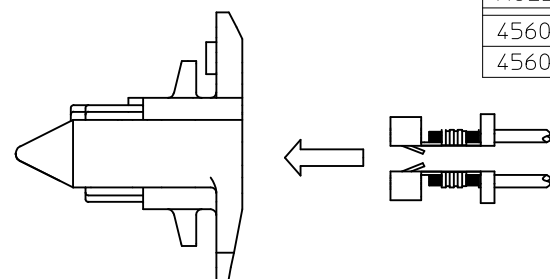
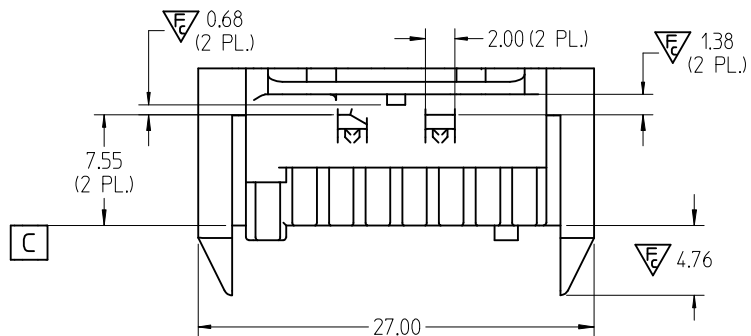
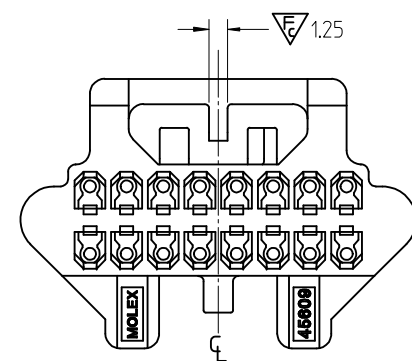
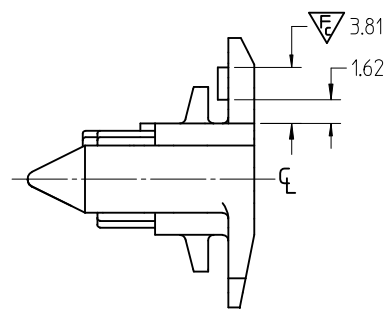
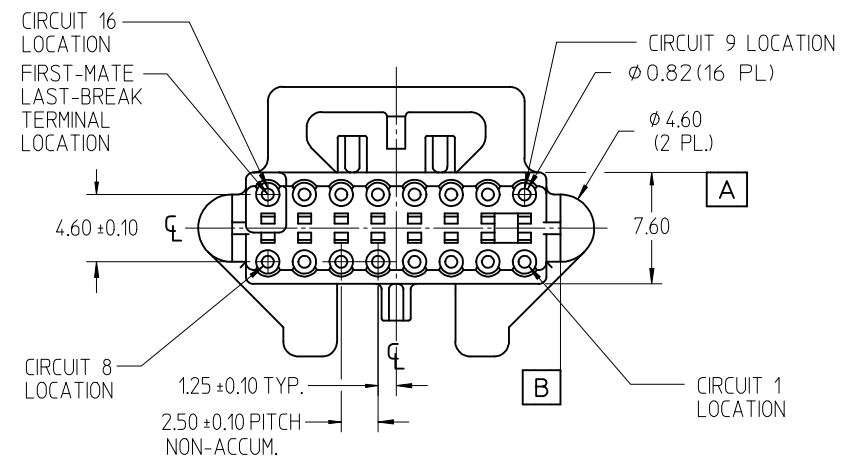


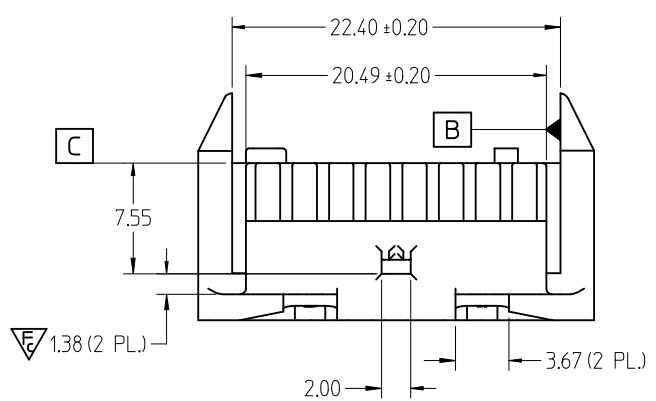
MOLEX P/N	MATERIAL	COLOR	MFLB CKTS
45609-0001	VALOX 357	BLACK	POSITION 16
45609-0002	VALOX 357	BLACK	POSITION 8 & 16



TERMINALS ARE TO BE ORIENTED AND LOADED IN TO THE HOUSING AS SHOWN ABOVE

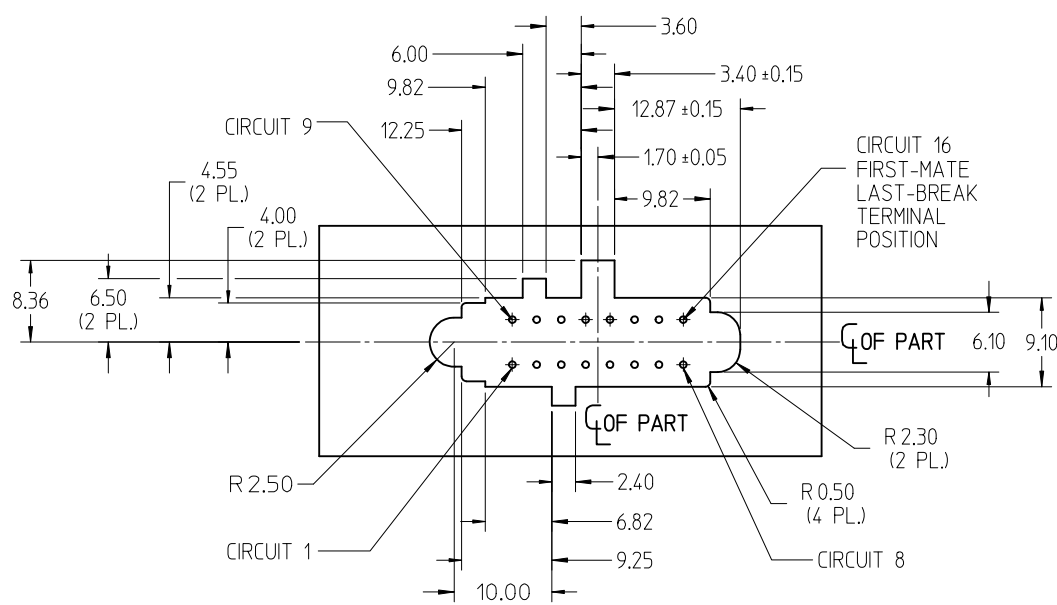


- NOTES:
1. MATERIAL: POLYESTER, UL94V-0, COLOR: BLACK.
 2. PRODUCT SPECIFICATION: TBD.
 3. USES FEMALE CRIMP TERMINALS, SERIES 5263. (NOTE ORIENTATION OF TERMINALS)
 4. PART MATES WITH MOLEX HEADER ASSEMBLY SERIES 45608.
 5. PACKAGING: BULK.
 6. SEE PAGE 2 OF 2 FOR PANEL CUOUT DIMENSIONS AND THE ALLOWED BOARD TO PANEL MISALIGNMENT.



ADDED WIPE DIM PAGE 2 EC NO: UCP2010-0084 DRWN: DROSCA 2009/07/23 CHKD: 2009/07/24 APPR: JCOMERCI 2009/07/24	QUALITY SYMBOLS	GENERAL TOLERANCES (UNLESS SPECIFIED)	SCALE 3:1	DESIGN UNITS METRIC	THIRD ANGLE PROJECTION	REVISE ON CAD ONLY
	▽ = 0 ∇ = 0	mm	INCH	DIMENSION STYLE		TITLE
		4 PLACES ± --- ± ---	3 PLACES ± --- ± ---	2 PLACES ± 0.25 ± ---	1 PLACE ± 0.3 ± ---	MM ONLY
	B1	DESCRIPTION	DRAFT WHERE APPLICABLE	APPROVED BY JCOMERCI	DATE 2009/07/24	MATERIAL NO. SEE TABLE

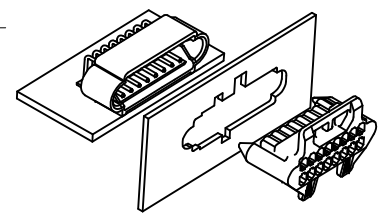
MOLEX INCORPORATED
 SHEET NO. 1 OF 3



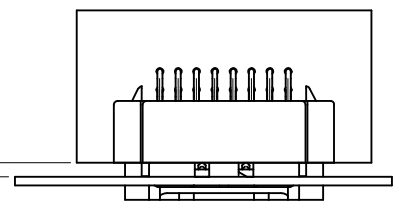
PANEL CUTOUT
PANEL THICKNESS 1.20±0.12mm

Normal pin-wipe
Max=3.43mm
Min= 2.07mm
First make last break-wipe
Max=4.48mm
Min=3.02mm

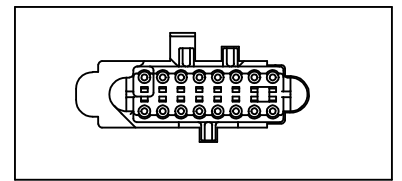
$\nabla_{F_c} 1.91^{+0.23}_0$



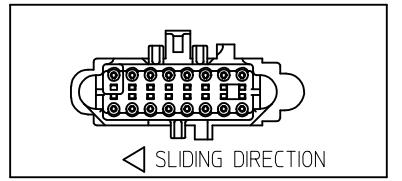
REAR-ENTRY PANEL MOUNT ISOMETRIC VIEW



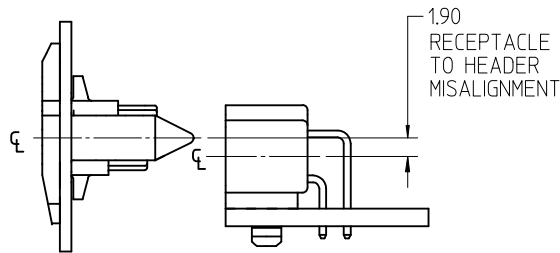
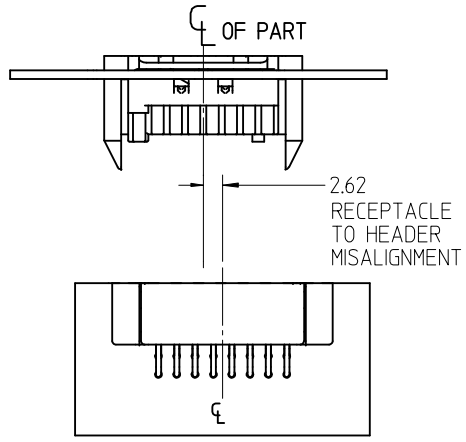
PANEL TO PCB STACK HEIGHT



RECEPTACLE
INSERT POSITION



RECEPTACLE SLIDES
INTO MOUNTED POSITION

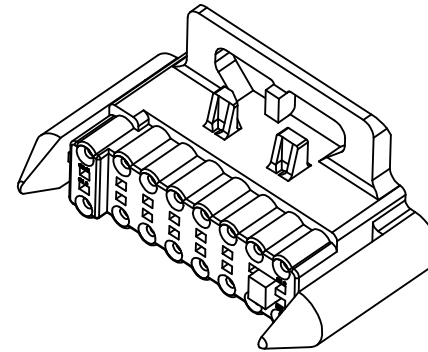
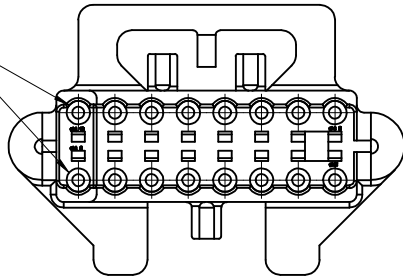


SEE SHEET 1 EC NO: UCP2010-0084 DRWN: DROSCA 2009/07/23 CHKD: 2009/07/24 APPR: JCOMERCI 2009/07/24	QUALITY SYMBOLS $\nabla_{F_A} = 0$ $\nabla_{F_E} = 1$ $\nabla_{F_F} = 0$	GENERAL TOLERANCES (UNLESS SPECIFIED)		SCALE 1.5:1	DESIGN UNITS METRIC	THIRD ANGLE PROJECTION	REVISE ON CAD ONLY		
		4 PLACES ± --- ± --- 3 PLACES ± --- ± --- 2 PLACES ± 0.25 ± --- 1 PLACE ± 0.3 ± ---	DIMENSION STYLE MM ONLY	DRAWN BY TGREGORI	DATE 2003/12/18	TITLE SPOX BMI RECEPTACLE HOUSING DUAL ROW PANEL MOUNT, 16 CKT			
		ANGULAR ± 1/2°		CHECKED BY MCARRANZ	DATE 2009/07/24	MOLEX INCORPORATED			
		DRAFT WHERE APPLICABLE MUST REMAIN WITHIN DIMENSIONS		APPROVED BY JCOMERCI	DATE 2009/07/24	MATERIAL NO. SEE TABLE	DOCUMENT NO. SD-45609-001	SHEET NO. 2 OF 3	

10 9 8 7 6 5 4 3 2 43609

MOLEX P/N	MATERIAL	COLOR	MFLB CKTS
45609-0001	VALOX 357	BLACK	POSITION 16
45609-0002	VALOX 357	BLACK	POSITION 8 & 16

FIRST MAKE
LAST BREAK
CKTS 8 & 16



ENTER DESCRIPTION EC NO: UCP2010-0084 DRW: DRGROSCA CHKD: JCOMERCI APPR: JCOMERCI	2009/07/23 2009/07/24 2009/07/24	QUALITY SYMBOLS	GENERAL TOLERANCES (UNLESS SPECIFIED)		DIMENSION STYLE MM ONLY		SCALE 3:1	DESIGN UNITS METRIC	THIRD ANGLE PROJECTION	
		= 0 = 1 = 0		mm	INCH	DRAWN BY TGREGORI	DATE 2003/12/18	TITLE SPOX BMI RECEPTACLE HOUSING DUAL ROW PANEL MOUNT, 16 CKT	MOLEX INCORPORATED	DOCUMENT NO. SD-45609-001
			4 PLACES	± ---	± ---	CHECKED BY MCARRANZ	DATE			
			3 PLACES	± ---	± ---	APPROVED BY JCOMERCI	DATE 2009/07/24	SHEET NO. 3 OF 3		
B1		DRAFT WHERE APPLICABLE MUST REMAIN WITHIN DIMENSIONS	SEE TABLE		THIS DRAWING CONTAINS INFORMATION THAT IS PROPRIETARY TO MOLEX INCORPORATED AND SHOULD NOT BE USED WITHOUT WRITTEN PERMISSION					

9 8 7 6 5 4 3 2 1