

TECHNICAL CHARACTERISTICS :

- Female screw locks: brass, tin lead
- Compensating washer: steel, tin lead
- Nuts: steel, tin lead
- Corrosion resistance: 24 hours.

NOTE:RoHS INFORMATIONS

- The "LF" products meet European union Directives and other country regulations as described in GS-22-008.
- Plating Sn (pure bright) over copper
- Packaging spec: see GS-14-920

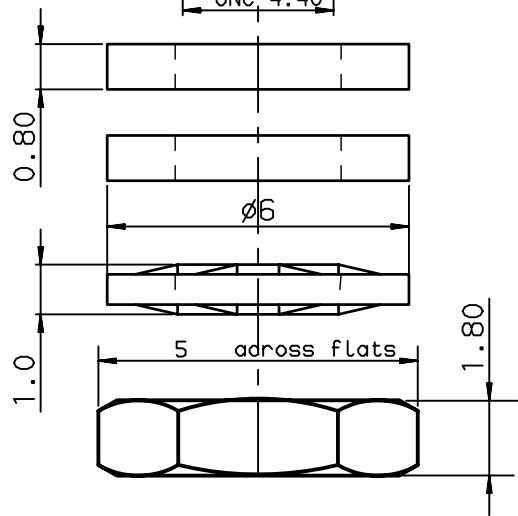
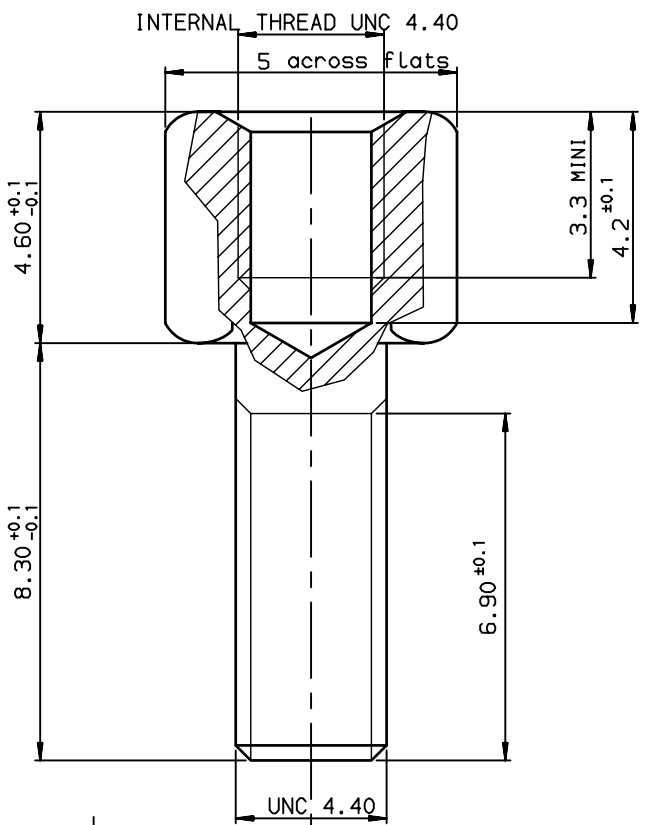
Core range

PART NUMBER 863001060TLF PACKAGING:per 100 pieces

European Views

www.fciconnect.com		surface ISO 1302 <input checked="" type="checkbox"/>	tolerance std ISO 406 ISO 1101	projection 	mm
TOLERANCES UNLESS OTHERWISE SPECIFIED					
ANGULAR	LINEAR	0.X	± 0.1	size A3	Scale 10
0.XX	$\pm 2'$	0.XXX	± 0.1	ECN	LS09-0063
Product family				D-SUB	Spec ref -
Dr	JOUBERT	1996/01/28			
Eng	JOUBERT	1996/01/28			
Chr	LEGARE	1996/01/28			
Appr	LEGARE	1996/01/28			
		FEMALE SCREW LOCK D SUB ACCESSORIES		dwg no C01-8655-0697-1	Rev. H
catalog no		-		CUSTOMER	sheet 1 of 2

rev	ecn no	dr	date
C	-	SBA	2003/04/15
D	LS05-0026	LMA	2005/02/09
E	LS06-0097	LGO	2006/07/28
F	LS08-0192	MPE	2008/09/12
G	LS09-0006	PCR	2009/01/08
H	LS09-0063	PCR	2009/03/25
-	-	-	-



TECHNICAL CHARACTERISTICS :

Female screw locks: brass, tin lead
 Compensating washer: steel , tin lead
 Nuts : steel , tin lead
 Corrosion resistance : 24 hours .

NOTE:RoHS INFORMATIONS

- The "LF" products meet European union Directives and other country regulations as described in 65-22-008.
- Plating Sn (pure bright) over copper
- Packaging spec: see 65-14-920

Core range

LEAD FREE NUMBER	86552029TLF	PACKAGING:per 1000 pieces
------------------	-------------	---------------------------

www.fciconnect.com		surface ISO 1302 ✓	tolerance std ISO 406 ISO 1101	projection mm
TOLERANCES UNLESS OTHERWISE SPECIFIED				
ANGULAR	LINEAR	0.X	±0.1	size A3
0.XX	±2'	0.XX	±0.1	Scale 10
0.XXX		0.XXX	±0.1	ECN LS09-0063
Dr	JOUBERT	1996/01/26	Product family	D-SUB
Eng	JOUBERT	1996/01/26	Spec ref	-
Chr	LEGARE	1996/01/26		
Appr	LEGARE	1996/01/26		

rev	ecn no	dr	date
C	-	SBA	2003/04/15
D	LS05-0026	LMA	2005/02/09
E	LS06-0097	LGO	2006/07/28
F	LS09-0006	PCR	2009/01/08
G	LS09-0063	PCR	2009/03/25
-	-	-	-
-	-	-	-

FCj	title	FEMALE SCREW LOCK	dwg no	C01-8655-0697-2	Rev.	F
	D SUB ACCESSORIES					
catalog no	-	CUSTOMER	sheet 2 of 2			

Copyright FCj