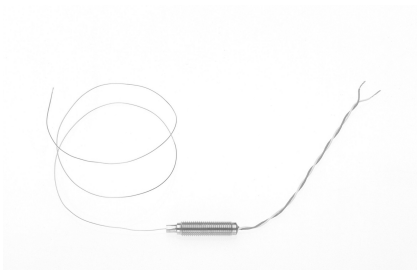




Industrial, Mineral Insulated Thermocouples

Type K, Mineral insulated, flexible, stainless steel sheathed thermocouple probe with PTFE insulated tails



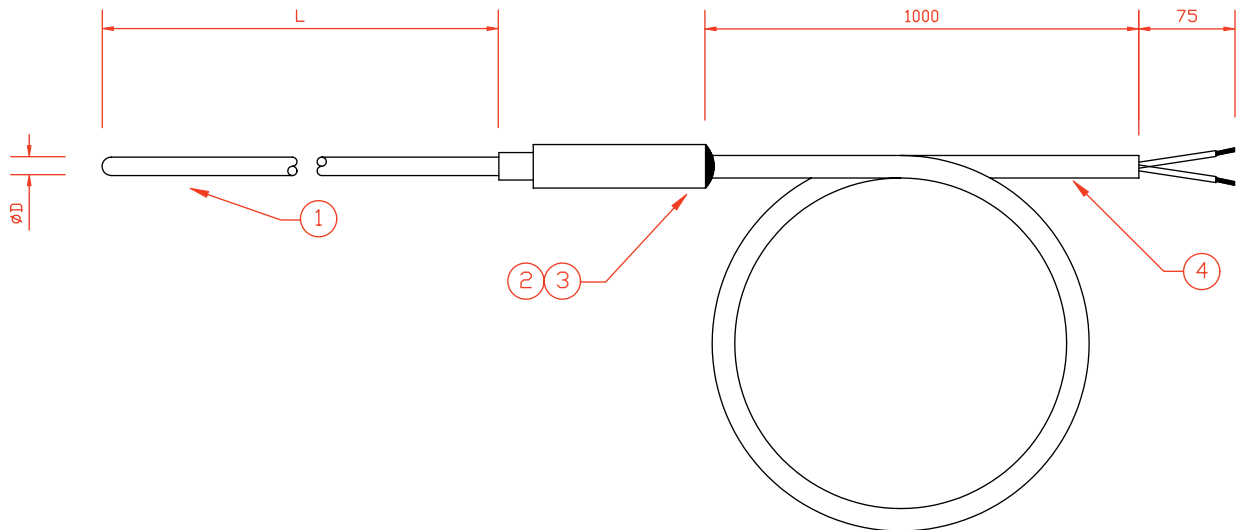
Specifications

Sensor Type	Thermocouple type K to IEC60584
Probe material	310 stainless steel with welded tip. Mineral insulated conductors with insulated junction
Tip temperature Rating	-40°C to 1100°C
Probe termination	Pot seal, M8 x 1.0mm thread, 25mm long
Pot temperature Rating	200°C maximum
Termination lead	PTFE insulated tails, 7/0.2mm, 100mm long

Dimensions & Codes

Probe dia (mm)	Probe length (mm)	Farnell Code	Lab Code
0.5	250	4248170	XF-327-FAR
0.5	500	4248181	XF-328-FAR

Data Ref: FAR5a



Item	Farnell Part No.	D	L
A	424-8193	1.5	150
B	424-8200	1.5	250
C	424-8211	3	150
D	424-8223	3	250
E	424-8235	6	150
F	424-8247	6	250