

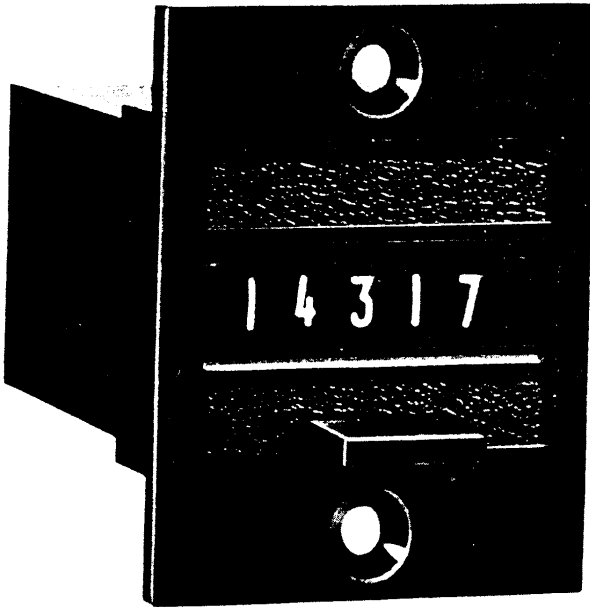
07 329



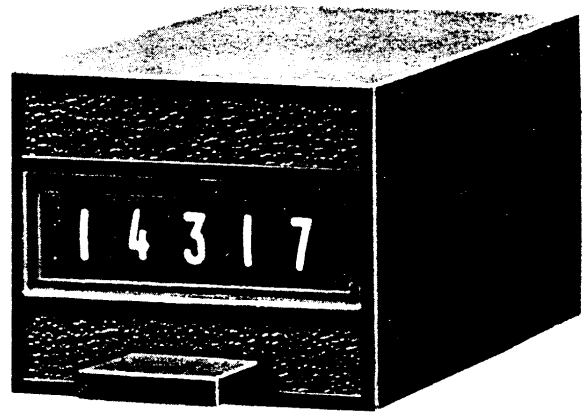
VEEDER-ROOT

DIGITAL PRODUCTS

# 7791 MINIATURE RESETTABLE ELECTRICAL COUNTER



PANEL MOUNT



REAR MOUNT

## ECONOMICAL MINIATURE RESETTABLE ELECTRICAL COUNTER OFFERS EXCELLENT PERFORMANCE AND RELIABILITY

- Small size.
- Two standard mountings available.
- 5 figures.
- Interchangeable with other popular electrical counters.
- Count coil can be continuously energized.
- Economical in price and operation.
- Broad range of standard DC & AC voltages.
- Long life.

The Series 7791 is a low cost, miniature resettable electrical counter providing excellent performance and reliability characteristics.

Its features make it ideal for applications in office and business machines; amusement, vending and other coin operated equipment; metering indicators; laboratory equipment and test instruments.

### STANDARD SPECIFICATIONS

**Number of Figures:** 5.

**Figure Size:** 0.156" high, 0.070" wide (4.0 mm × 1.8 mm).

**Color of Figures:** White on black.

**Reset:** Manual push bar.

**Count Speed:** 600 cpm.

**Minimum Count Pulse Timing:** 50 ms minimum on time and off time.

**Continuous Coil Energization:** Voltage may be applied to count coil continuously without causing damage — unlike many other counters.

**Count Life:** 10 million counts DC versions, 2 million counts AC versions, under normal operating conditions at +77° F (+25° C).

**Voltage:** 24, 48, 115, 230 V ac; 6, 12, 24 V dc.

**Voltage Tolerance:** ±10% or 10 volts, whichever is limiting.

**Power Consumption:** 5 VA ac. 1.5 VA dc.

**Operating Temperature Range:** +32° F to +122° F (0° to 50° C).

**Mounting:** Panel and rear.

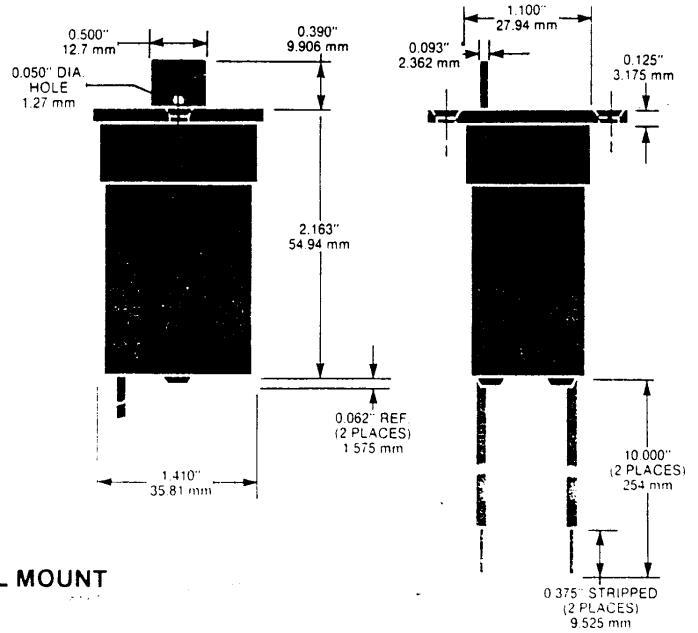
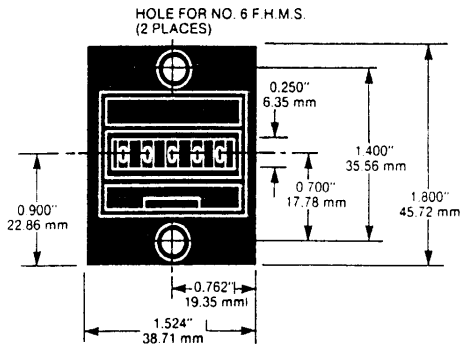
**Connections:** #22 AWG Black leads from bottom of counter.

**Material:** Wheels, Verge and Pinions — acetal resin; Crystal — polycarbonate; Case, Push Reset Bar and Panel Mounting Flange — polyphenylene oxide; Frame, Core, Armature — plated steel; Shafts — brass; Springs — music wire.

**Net Weight:** 3.2 oz (90 grams).

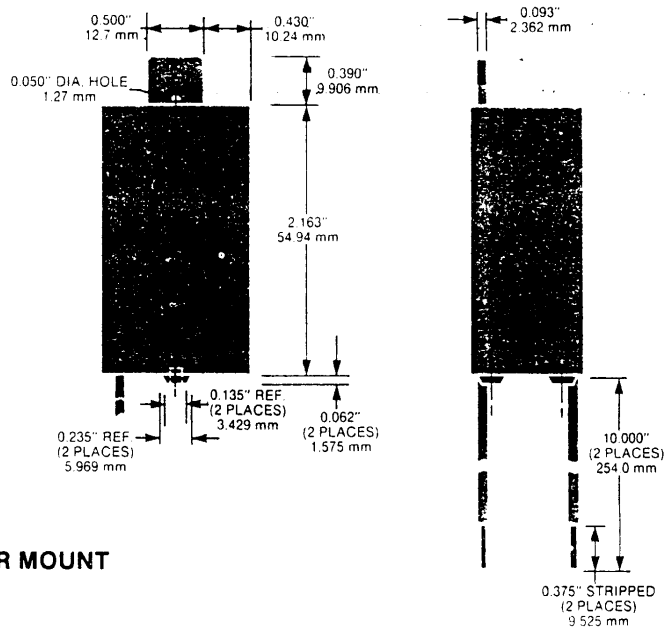
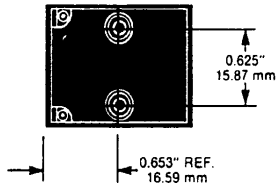
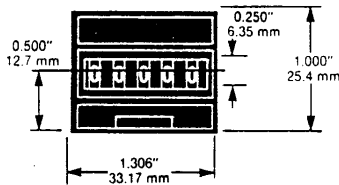
Contact Veeder-Root Product Marketing for current price information.

## DIMENSIONS



PANEL MOUNT

**Note:** When installing rear mount 7791 counters, do not apply more than 5.0 inch pounds (0.565 Nm) torque to the mounting screws.



REAR MOUNT

## STANDARD MODELS

| Description        | Coil Resistance | Form Number |
|--------------------|-----------------|-------------|
| <b>Panel Mount</b> |                 |             |
| 6 V dc             | 24 Ω            | 779195-208  |
| 12 V dc            | 96 Ω            | 779195-207  |
| 24 V dc            | 384 Ω           | 779195-206  |
| 24 V ac 50/60 Hz   | 32 Ω            | 779195-203  |
| 48 V ac 50/60 Hz   | 144 Ω           | 779195-215  |
| 115 V ac 50/60 Hz  | 800 Ω           | 779195-201  |
| 230 V ac 50/60 Hz  | 3200 Ω          | 779195-202  |

| Description       | Coil Resistance | Form Number |
|-------------------|-----------------|-------------|
| <b>Rear Mount</b> |                 |             |
| 6 V dc            | 24 Ω            | 779195-408  |
| 12 V dc           | 96 Ω            | 779195-407  |
| 24 V dc           | 384 Ω           | 779195-406  |
| 24 V ac 50/60 Hz  | 32 Ω            | 779195-403  |
| 48 V ac 50/60 Hz  | 144 Ω           | 779195-415  |
| 115 V ac 50/60 Hz | 800 Ω           | 779195-401  |
| 230 V ac 50/60 Hz | 3200 Ω          | 779195-402  |

**VEEDER-ROOT**   
 A SUBSIDIARY OF  
 WESTERN PACIFIC INDUSTRIES  
**DIGITAL PRODUCTS**

70 SARGEANT STREET, HARTFORD, CT 06102 U.S.A. (203) 527-7201

AUSTRALIA: Cheltenham, Victoria • BRAZIL: Sao Paulo • CANADA: Toronto/Montreal/Vancouver • FRANCE: Rungis • SCOTLAND: Dundee • WEST GERMANY: Neuhausen/Filder