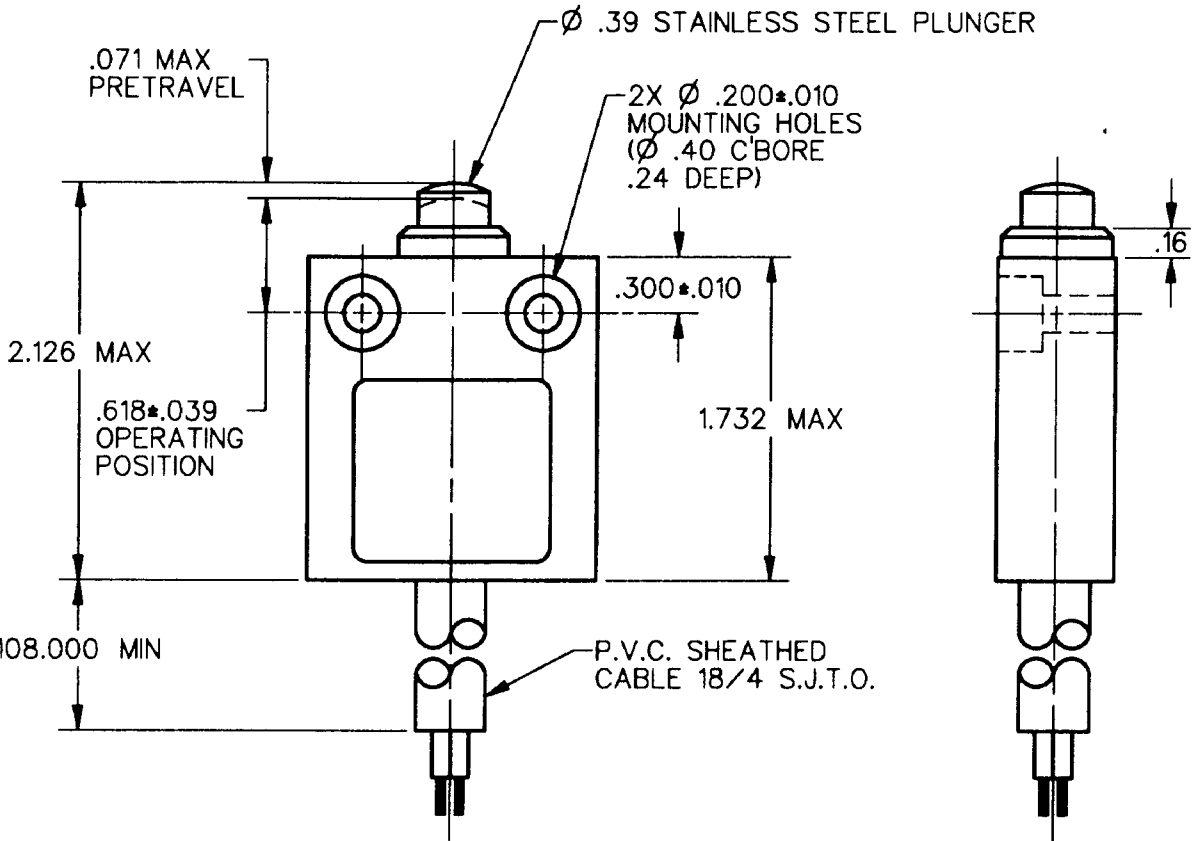
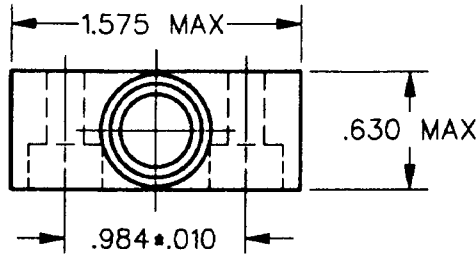
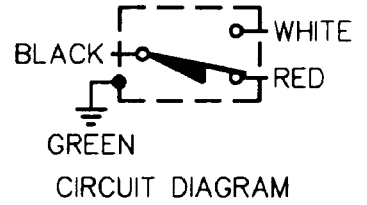


MICRO SWITCH
a Honeywell Division
FED. MFG. CODE 91929

MINIATURE PRECISION
LIMIT SWITCH

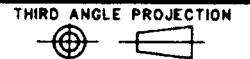
CATALOG LISTING
914CE1-9



NOTES
1 - ZINC HOUSING FINISHED WITH GRAY PAINT

ANSI Y14.5M-1982 APPLIES

THIS DRAWING COVERS A PROPRIETARY ITEM AND IS THE PROPERTY OF MICRO SWITCH, A DIVISION OF HONEYWELL. THIS DRAWING IS NOT TO BE COPIED OR USED WITHOUT THE APPROVAL OF MICRO SWITCH.



CHARACTERISTICS
OPERATING FORCE — — — 2.7 LB MAX
RELEASE FORCE — — — 1.0 LB MAX
DIFFERENTIAL TRAVEL — — — .004 MAX
OVERTRAVEL — — — .118 MIN

ELECTRICAL DATA
CONTACT ARRANGEMENT S P D T
5A - 250 VAC 1/10HP - 125 OR 250 VAC

SCALE FULL	DO NOT SCALE PRINT
UNLESS OTHERWISE SPECIFIED TOLERANCES ARE	
ONE PLACE (.0)	±.030
TWO PLACE (.00)	±.015
THREE PLACE (.000)	±.005
ANGLES	±



WEIGHT

914CE1-9
 M
 DRAWING NUMBER
 5
 ISSUE
 REVISIONS
 A CO-69081
 S A V
 29 AUG 91
 CHECK
 13 NOV 91
 CHECK
 29 AUG 91
 DDM/CAD
 DRAWN