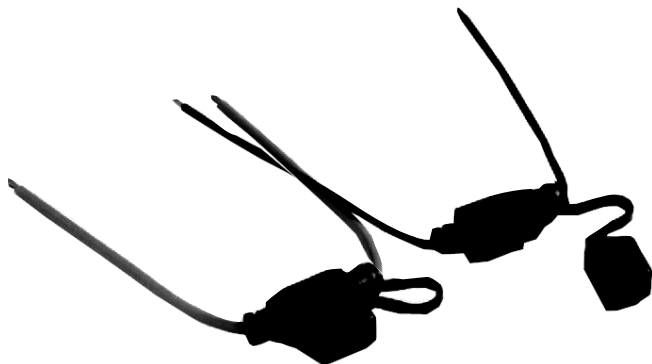


Automotive In-Line Fuseholders

For MINI® Fuses

HHL & HHM



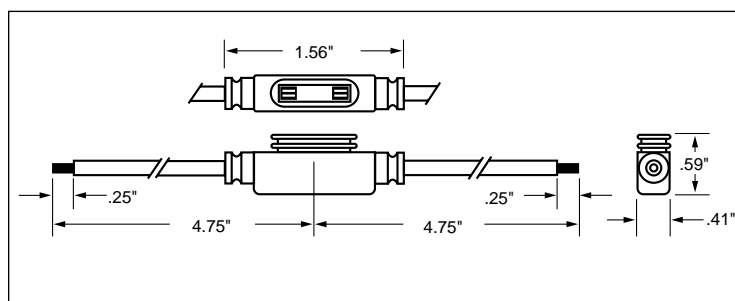
HHL and HHM

In-Line Fuseholders for MINI® Fuses.

Voltage Rating: 32Vdc Maximum

Current Rating: See Table

Body material withstands high temps. Protective cover has removable straps.



MINI® Fuse Blade Type Holder

Catalog No.	Description	Fuse Size	Electrical Connection	Maximum Continuous Current Rating
HHL	Black fuseholder w/cover	2-20A	#16 black lead wire; 4" length stripped to 1/4"	16A*
HHL-B	Black fuseholder - Body only			
HHM	Black fuseholder w/cover	2-30A	#12 red lead wire; 4" length stripped to 1/4"	24A*
HHM-B	Black fuseholder - Body only			
HHM-C	Black cover only			

Bulk Products

(Bulk Quantity - 1000 Pieces)

Catalog No.	Description	Fuse Size	Electrical Connection	Maximum Continuous Current Rating
BK/HHL-R	Black fuseholder - Body only	2-20A	#16 red lead wire; 4" length stripped to 1/4"	16A*

* or 80% of fuse rating, whichever is less

A fuse must be properly and fully inserted into the holder to provide a solid connection. Poor or improper insertion of the fuse can result in failure of the fuse and holder, thus not protecting the device for which it was intended.

The only controlled copy of this Data Sheet is the electronic read-only version located on the Bussmann Network Drive. All other copies of this Data Sheet are by definition uncontrolled. This bulletin is intended to clearly present comprehensive product data and provide technical information that will help the end user with design applications. Bussmann reserves the right, without notice, to change design or construction of any products and to discontinue or limit distribution of any products. Bussmann also reserves the right to change or update, without notice, any technical information contained in this bulletin. Once a product has been selected, it should be tested by the user in all possible applications.