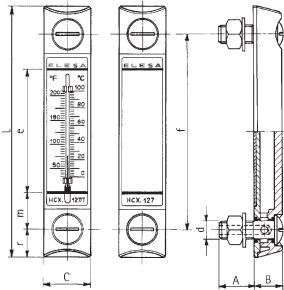
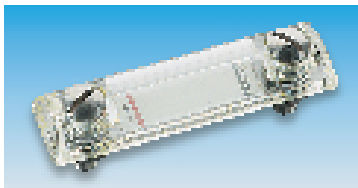


System Monitoring — continued

Column Level Indicators (stainless)



- Special transparent polyamide technopolymer
- AISI 303 stainless steel set screws and nuts with viton packing rings
- White lacquered aluminium contrast screen
- Resistant to shocks, solvents, oils with additives, aliphatic and aromatic hydrocarbons, petrol, naphtha and phosphoric esters
- Maximum working temperature 90°C in oil

Assembled with ultrasound welding procedures that guarantees perfect tightness. It can either be fitted to inside of tank with a nut or from the outside threading the two tank holes. To ensure the best seal of the O rings, it is recommended that one applies the maximum torque on the bolts (12 to 15 Nm).

Elesa Standard	Description	f	d	Main Dimensions				
				A	L	C	B	r
11343	HGX.76 - INOX	76	M10	22	106	27	16	15
11353	HGX.127 - INOX	126	M12	23	161	31	18	17

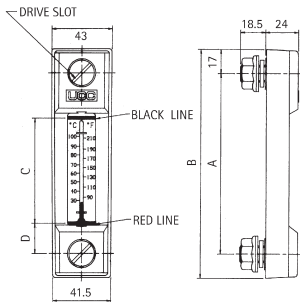
hyd80

Mfrs. List No.	Order Code	1+	5+	10+	20+
HGX.76 Stainless Steel	<b>713-7965</b>				
HGX.127 Stainless Steel	<b>713-7977</b>				

Fluid Level and Temperature Gauges



- High-visibility one-piece, shatterproof, polyamide lens
- Universal front or rear fixing two holes
- M10 and M12 bolt thread options
- Three sizes with thermometers - 76mm, 127mm, 254mm
- High-impact, black polystyrene shroud
- For use in pressurised tanks up to 1 bar
- Aluminium-free construction
- Compatible with mineral and petroleum-based fluids
- Thermometer indicator is blue alcohol with dual scale range of 30°C to 80°

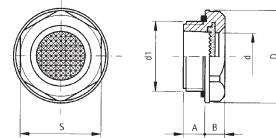


Thread	A	B	C	D	Mfrs. List No.
M10	76	110	30	18	FLT.121
M10	127	161	74	22	FLT.221
M10	254	288	202	22	FLT.321
Thread	A	B	C	D	Mfrs. List No.
M12	76	110	30	18	FLT.123
M12	127	161	74	22	FLT.223
M12	254	288	202	22	FLT.323

hyd73

Thread	Centres	Mfrs. List No.	Order Code	1+	4+	10+	20+	50+
M10	76	FLT.121	<b>713-2475</b>					
M10	127	FLT.221	<b>713-2487</b>					
M10	254	FLT.321	<b>713-2499</b>					
M12	76	FLT.123	<b>713-2505</b>					
M12	127	FLT.223	<b>713-2517</b>					
M12	254	FLT.323	<b>713-2529</b>					

Oil Level Indicators High-Temperature and Pressure



- Special black polyamide technopolymer threaded case
- Special polyamide technopolymer window
- Viton packing ring
- Maximum working temperature up to 140°C and pressure up to 7 bar
- Torque tightness 5 to 15Nm

Elesa Standard Code	Description		Main Dimensions		
		d1	A	B	D
14463	HGFT.13/HT-PR	½ BSP	10	8,5	28
14483	HGFT.16/HT-PR	¾ BSP	9,5	8,5	35
14523	HGFT.21/HT-PR	1 BSP	11	9,5	42,5

hyd82

Thread (°)	Mfrs. List No.	Order Code	1+	10+	20+	50+
½ BSP	HGFT.13/HT-PR	<b>713-9652</b>				
¾ BSP	HGFT.16/HT-PR	<b>713-9664</b>				
1 BSP	HGFT.20/HT-PR	<b>713-9676</b>				

Hydraulic Pressure Gauges



- Rugged stainless steel housing
- Glycerine-filled to withstand high dynamic loads
- All at Ø 63mm
- Bottom mount with " BSP connection
- Accuracy class 1,6 to DIN 16005
- Brass movement and wetted parts

hyd10

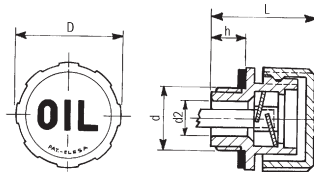
Ø	Range	List No.	Order Code	1+	10+	20+	50+
63mm	-1 to 0 bar	1454016002	<b>700-0716</b>				
63mm	0 to 2,5 bar	1454072002	<b>700-0728</b>				
63mm	0 to 10 bar	1454075002	<b>700-0730</b>				
63mm	0 to 25 bar	1454078002	<b>700-0741</b>				
63mm	0 to 100 bar	1454081002	<b>700-0753</b>				
63mm	0 to 160 bar	1454082002	<b>700-0765</b>				
63mm	0 to 250 bar	1454082002	<b>700-0777</b>				
63mm	0 to 400 bar	1454086002	<b>700-0789</b>				
63mm	0 to 600 bar	1454087002	<b>700-0790</b>				

Reservoir Accessories

Breather Plug With Splash Guards



- Polyamide technopolymer
- RAL 2004 orange cover marked 'Oil'
- Resistant to solvents, oils, grease and other chemical agents
- Flat NBR synthetic packing ring
- Maximum temperature 120°C
- Suitable where oil is violently agitated and could be splashed against breather cap



Elesa Standard Code	Description	d	h	D	L
53935	SFP.30-¾	G¾	10	31	30
54001	SFP.30-¾	G¾	10	31	30
54101	SFP.30-¾	G¾	10	31	30
54201	SFP.40-¾	G¾	12	42	37
54301	SFP.40-1	G1	12	42	37
54401	SFP.57-1 ½	G1½	16	57	44
54501	SFP.57-1 ½	G1½	16	57	44
54876	SFP.70-2	G2	17	70	59
53941	SFP.30-16 x 1,5	M16 x 1,5	10	31	30
53961	SFP.30-18 x 1,5	M18 x 1,5	10	31	30
53981	SFP.30-20 x 1,5	M20 x 1,5	10	31	30
53991	SFP.30-22 x 1,5	M22 x 1,5	10	31	30

hyd84