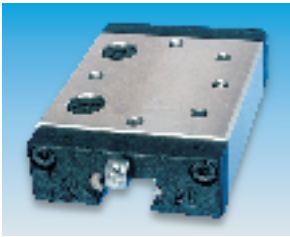
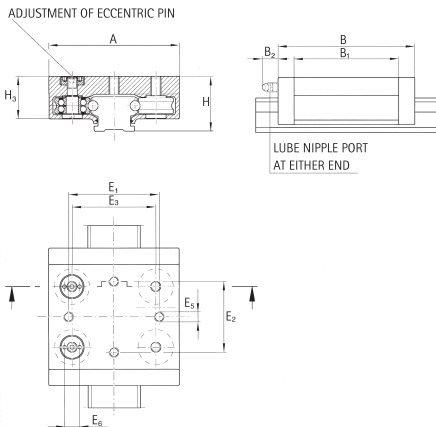


Size	Order Code	Price Each		
		1+	3+	5+
15	705-6254			
20	705-6230			
25	705-6242			

## Cam Roller Guide Runner Blocks



- High permissible speeds
- Compact design
- Light weight
- Easy mounting
- Low friction and extremely low-noise operation
- Elements can be individually ordered and separately stocked



Size	A	B	B <sub>1</sub>	B <sub>2</sub>	H	H <sub>3</sub>	E <sub>1</sub>	E <sub>2</sub>	E <sub>3</sub>	E <sub>4</sub>	E <sub>5</sub>	Order Code
20	56	79	59	7	22,0	20,0	39	49	34	34	M5	705-6722
25	65	95	75	7	25,0	22,3	50	60	40	45	M5	705-6734
32	86	112	92	7	35,5	29,5	59	70	54	60	M8	705-6746

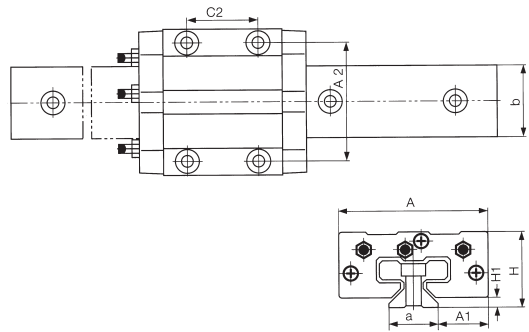
Load Capacities (N)		Maximum Permissible Loads (N)				Order Code		
Side Load	Vertical Load	Side Load	Vertical Load	Dynamic	Static			
C <sub>r</sub> Dynamic	C <sub>v0</sub> Static	C <sub>z</sub> Dynamic	C <sub>z0</sub> Static	F <sub>max Y</sub> Dynamic	F <sub>max Y0</sub> Static	F <sub>max Z</sub> Dynamic	F <sub>max Z0</sub> Static	
2300	1600	1336	783	700	700	400	600	705-6722
2550	1780	1357	803	700	700	400	660	705-6734
7335	4560	4300	2200	1000	1000	850	1400	705-6746

Maximum Permissible Moment Loads (Nm)							Order Code
Rolling		Pitching		Yawning			
M <sub>max X</sub> Dynamic	M <sub>max X0</sub> Static	M <sub>max Y</sub> Dynamic	M <sub>max Y0</sub> Static	M <sub>max Z</sub> Dynamic	M <sub>max Z0</sub> Static		
3,2	4,8	6,8	10,2	12	12	705-6722	
3,8	6,0	9,0	15,0	16	16	705-6734	
11,0	18,0	26,0	42,0	30	30	705-6746	

IMPORTANT: Observed maximum permissible loads due to forces and moments as shown in the tables.

bas70

Size	Order Code	Price Each		
		1+	3+	5+
20	705-6722			
25	705-6734			
32	705-6746			



- Shock and vibration resistant
- Maintenance free and corrosion resistant
- Very high acceleration possible
- Carriages are manufactured from aluminium and the rails from hard anodised aluminium

DryLin® T slide guide rails are ideal for use in a wide range of applications in the automation and handling industries. Being non corrosive and resistant to dust, dirt and moisture they are suitable for use in a wide range of environments. The lack of moving parts means the guides are exceptionally quiet in operation.

### Rail Dimensions

Nom.	a	b	C4	C5	C5	C6	C6	h	h1	K1	Weight kg/m
Width	-0,2		min	max	min	max					
15	15	22	60	20	49	20	49	15,5	10	M4	0,6
20	20	31	60	20	49	20	49	19	12,3	M5	1,0
25	23	34	60	20	49	20	49	21,5	13,8	M6	1,3
30	28	40	80	20	59	20	59	26	15,8	M8	1,9

### Carriage Dimensions

Nom.	H	A	C	A1	A2	C1	C2	C3	H1	H5	Weight kg/m
Width	±0,5		max	±0,35					±0,35		
15	24	47	72	16	38	50	30	9	4	16	0,11
20	30	63	95	21,5	53	61	40	10	5	19,8	0,19
25	36	70	105	23,5	57	68	45	11	5	24,8	0,29
30	42	90	118	31	72	79	52	12	6,5	27	0,50

### Static Load-Bearing Capacity

Type	C <sub>0v</sub> (N)	C <sub>0v(y)</sub> (N)	C <sub>0z</sub> (N)	M <sub>0x</sub> (Nm)
15	4000	4000	2000	32
20	7400	7400	3700	85
25	10000	10000	5000	125
30	14000	14000	7000	200

bas101

Carriage Size	Order Code	Price Each		
		1+	3+	5+
15	723-9233			
20	723-9257			
25	723-9270			
30	723-9294			
Rail Width	Length	Price Each		
		1+	3+	5+
15	300	725-9049		
	600	725-9050		
20	1000	723-9245		
	300	725-9062		
25	600	725-9074		
	1000	723-9269		
30	300	725-9086		
	600	725-9098		
30	1000	723-9282		
	300	725-9104		
30	600	725-9116		
	1000	723-9300		

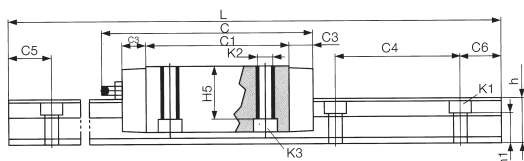
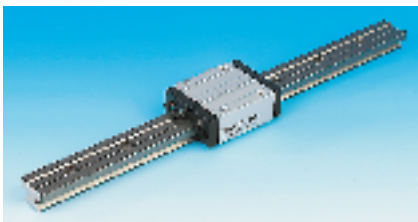
Continued

## Drylin™ Rail & Carriage

### Drylin T Linear Bearings

IGUS

Type SG0



## No Minimum Order Value

Order whatever quantities you require from our catalogue and you won't be penalised with a minimum order value.