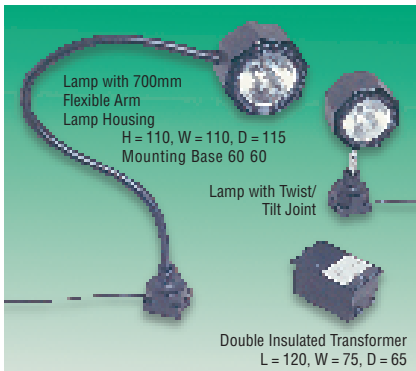


Industrial Task Lighting — continued

50W Low Voltage Inspection Luminaires IP65



- Bright low voltage safety halogen light source
- Easy to position and focus light where required
- Uniform light field with constant brightness
- Compact robust design with dust, oil and water Protection to IP65
- Easy to maintain and keep clean ● Bulb replacement is quick and simple
- 60VA double insulated transformer available
- Fitted with clear glass lens, mirrored spot reflector, lamp, base mounted switch and 2m of 2 core connecting lead

Colour	Black
Reflector dia.	75mm
Lamp housings	Polycarbonate
Twist/tilt joint	360° rotation, 80° downward tilt from horizontal
Screw clamp base	Maximum clamp opening (thickness of worktop) 40mm

SEC223X

	Order Code	1+	5+	10+
Lamp with 700mm flexible arm	.474-307			
Lamp with twist/tilt joint	.474-319			
Double insulated transformer	.474-320			
Magnetic base	.474-332			
Screw clamp base	.474-356			
12V 50W replacement bulb	.474-344			

Commercial Task Lighting

Standard Work Lamp 60W



- Supplied with table clamp and table base
- Standard counter balance spring arm
- Requires 60W ES bulb (not supplied)

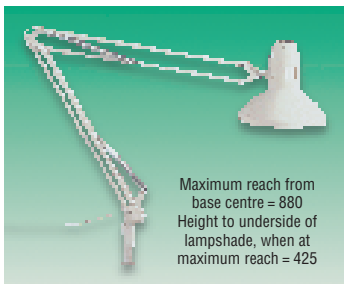
◆ Fits UK 3 pin Mains Socket

For suitable bulb see order code 353-5794 page 955.

SEC509

Mftrs.	Order Code	1+	3+	6+	10+	25+	50+
Colour List No.							
White D31040	◆ 353-5691						

Bench Lamp, 100 Watt



- Long reach spring balanced arm
- Arm joint can be adjusted for ease of movement
- Diecast aluminium desk clamp will clamp to horizontal edges up to 60mm thick
- Double insulated
- Accommodates standard bayonet fitting bulbs up to 100 Watts (not supplied)
- Fitted with 1.4 metres of mains lead and 3A fused plug

SEC201X

Colour	Order Code	1+	3+	6+	12+
Bright white	264-180				
Pearl grey	264-209				

High Power Work Lamp 100W



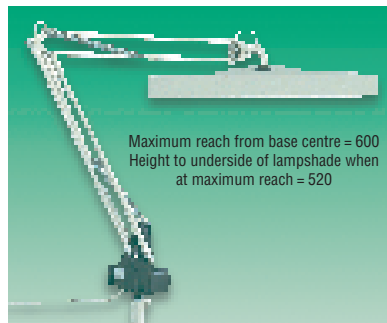
- Supplied with 100W daylight bulb
- Supplied with table clamp
- Counter balance spring arm
- 1m arm reach

◆ Fits UK 3 pin Mains Socket

SEC507

Mftrs.	Order Code	1+	3+	6+	10+	25+	50+
Colour List No.							
White D30320	◆ 353-5654						

Bench Lamp, Twin 15W Fluorescent



- Twin 15 watt, 400mm length tubes give a high light output over a wide area
- Spring balanced adjustable arm with friction control
- Unique shade joint gives a wide range of adjustment ● Double insulated
- Diecast aluminium desk clamp will clamp to horizontal edges up to 60mm thick
- Fitted with 1.4 metres of mains lead and 3A fused plug

Mftrs. List No. 251-10 = 264-210, 251-01 = 264-222

SEC202X

Colour	Order Code	1+	3+	6+	12+
Bright white	264-210				
Pearl grey	264-222				

Twin 15W Fluorescent Lamp



- Supplied with 2 x 15W daylight tubes
- Supplied with bench clamp
- Sturdy all metal construction
- Gives even light over a wide area
- Ideal for work benches, large tables and drawing boards

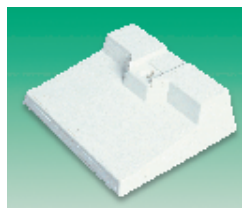
◆ Fits UK 3 pin Mains Socket

For suitable base see order code 353-5680 page 970.

SEC505

Mftrs.	Order Code	1+	3+	6+	10+	25+	50+
Colour List No.							
White D30350	◆ 353-5678						

Light/Magnifier Base



- Attractively styled lamp or magnifier base weighing 5Kg
- Accepts a spigot 17mm in diameter up to 45mm long

Designed for use with the following products:-

451-770 Bench lamp	251 Bench lamp
231 Bench lamp	425 Bench lamp
271 Bench magnifier	

H = 85, W = 235, D = 210

Mftrs. List No. 4902201 = 226-826, 4902210 = 266-814

SEC204X

Colour	Order Code	1+	3+	6+	12+
Bright white	266-814.				
Pearl grey	266-826.				

Large Table Base



- Metal painted table base
- Suitable for Order codes 353-5678 and 353-5654

Weight 7Kg

For suitable base see order code 353-5680 see page 970

SEC508

Mftrs.	Order Code	1+	3+	6+	10+	25+	50+
Colour List No.							
White D20255	353-5680						